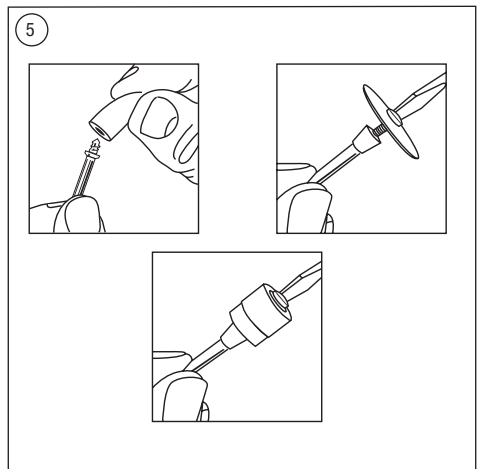
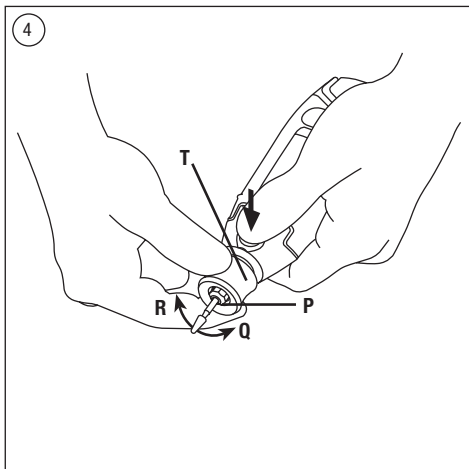
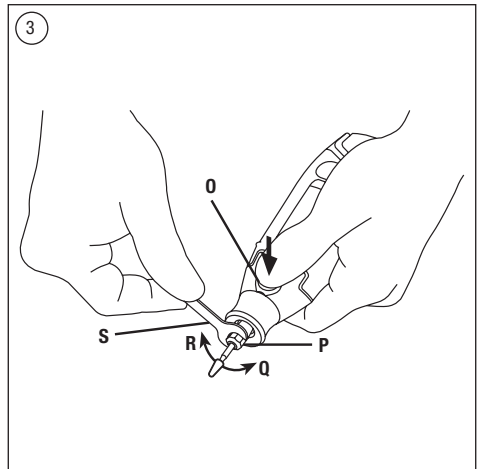
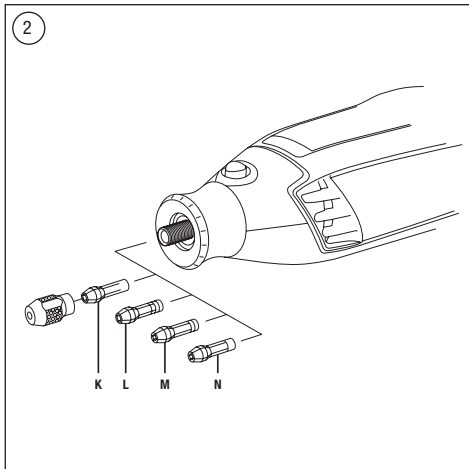
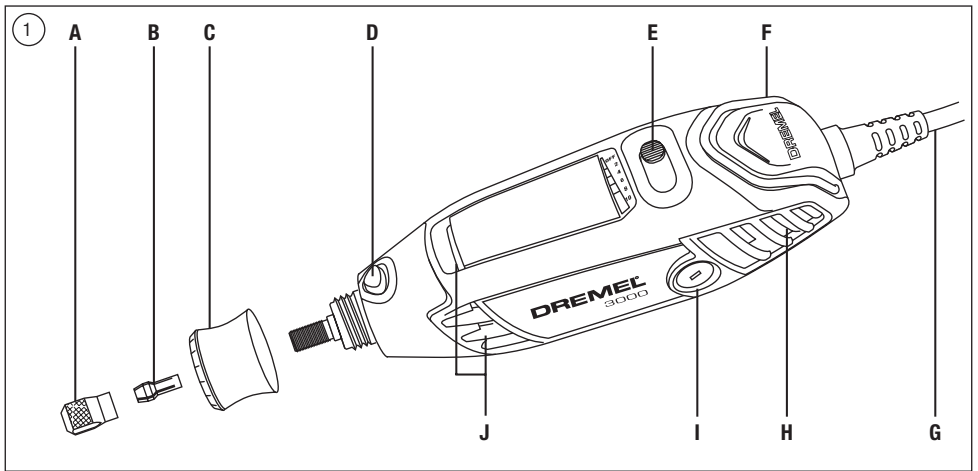


DREMEL® 3000

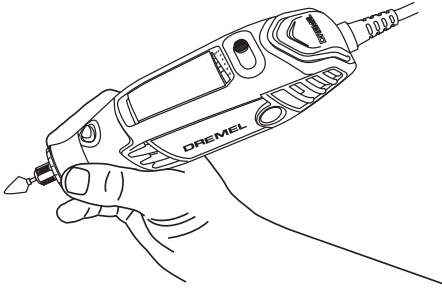


GB	Original instructions	19	NO	Oversettelse av originalinstruksjonene	65
DE	Übersetzung der Originalbedienungsanleitung	25	FI	Käännös alkuperäisistä ohjeista	71
FR	Traduction de la notice originale	32	ET	Algsete juhiste tõlge	78
IT	Traduzione delle istruzioni originali	39	LT	Originalių instrukcijų vertimas	84
NL	Vertaling van de originele gebruiksaanwijzing	46	LV	Orģinālās lietošanas pamācības tulkojums	90
DA	Oversættelse af betjeningsvejledning	53	AR	ترجمة التعليمات الأصلية	٩٨
SV	Översättning av originalinstruktioner	59			

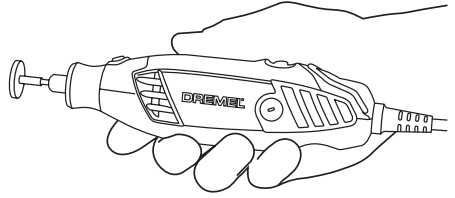
**Dremel Europe
The Netherlands**



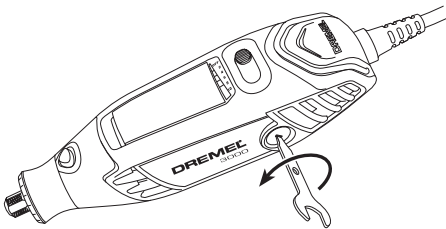
6



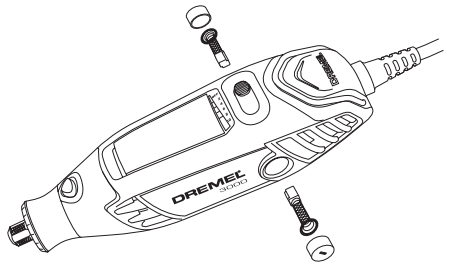
7



8



9





Max RPM



105	35.000		■	■			■				
106	35.000		■	■			■				
107	35.000		■	■			■				
108	35.000		■	■			■				
110	35.000		■	■			■				
111	35.000		■	■			■				
113	35.000		■	■			■				
114	30.000		■	■			■				
115	30.000		■	■			■				
117	30.000		■	■			■				
118	30.000		■	■			■				
125	30.000		■	■			■				
134	30.000		■	■			■				
144	30.000		■	■			■				
191	30.000		■	■			■				
192	30.000		■	■			■				
193	30.000		■	■			■				
194	30.000		■	■			■				
196	30.000		■	■			■				
199	30.000		■	■			■				
403	15.000						■	■	■	■	■
404	15.000						■	■	■	■	■
405	15.000						■	■	■	■	■
407	35.000		■	■			■	■	■	■	■
408	35.000		■	■			■	■	■	■	■
409	35.000	402	■	■			■	■	■	■	■
414	20.000	401					■	■	■	■	■
420	35.000	402	■	■			■	■	■	■	■
422	20.000	401					■	■	■	■	■
423S	20.000	(SC)402					■	■	■	■	■
425	20.000	402					■	■	■	■	■
426	35.000	402	■	■			■	■	■	■	■
428	15.000						■	■	■	■	■
429	20.000	401					■	■	■	■	■
430	35.000		■	■			■	■	■	■	■
431	35.000		■	■			■	■	■	■	■
432	35.000		■	■			■	■	■	■	■
438	35.000		■	■			■	■	■	■	■
442	15.000						■	■	■	■	■
443	15.000						■	■	■	■	■
453	30.000	1453					■	■	■		
454	30.000	1453					■	■	■		
455	30.000	1453					■	■	■		
457	30.000	1453					■	■	■		
462	30.000						■	■	■		
502	35.000		■	■			■	■	■	■	■
504	35.000		■	■			■	■	■	■	■
511S	20.000	(SC)402	■	■							
512S	20.000	(SC)402	■	■							
516	20.000						■	■	■	■	■
520	20.000						■	■	■	■	■
530	15.000						■	■	■	■	■



A grid of 32 horizontal lines for writing. The grid contains small black squares (dots) placed at various intervals along the lines, likely indicating where to write or draw. The squares are distributed as follows:

- Line 1: Squares at the end of the line.
- Line 2: Squares at the end of the line.
- Line 3: Squares at the end of the line.
- Line 4: Squares at the end of the line.
- Line 5: Squares at the end of the line.
- Line 6: Squares at the end of the line.
- Line 7: Squares at the end of the line.
- Line 8: Squares at the end of the line.
- Line 9: Squares at the end of the line.
- Line 10: Squares at the end of the line.
- Line 11: Squares at the end of the line.
- Line 12: Squares at the end of the line.
- Line 13: Squares at the end of the line.
- Line 14: Squares at the end of the line.
- Line 15: Squares at the end of the line.
- Line 16: Squares at the end of the line.
- Line 17: Squares at the end of the line.
- Line 18: Squares at the end of the line.
- Line 19: Squares at the end of the line.
- Line 20: Squares at the end of the line.
- Line 21: Squares at the end of the line.
- Line 22: Squares at the end of the line.
- Line 23: Squares at the end of the line.
- Line 24: Squares at the end of the line.
- Line 25: Squares at the end of the line.
- Line 26: Squares at the end of the line.
- Line 27: Squares at the end of the line.
- Line 28: Squares at the end of the line.
- Line 29: Squares at the end of the line.
- Line 30: Squares at the end of the line.
- Line 31: Squares at the end of the line.
- Line 32: Squares at the end of the line.



Max RPM

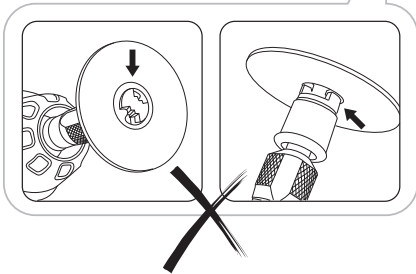
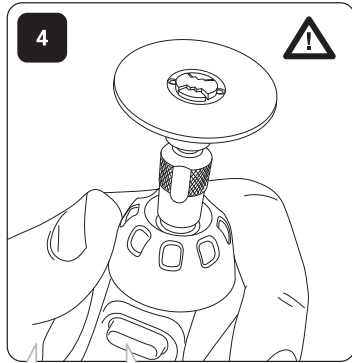
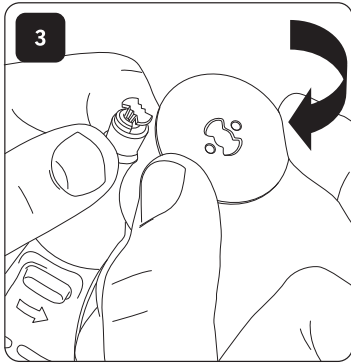
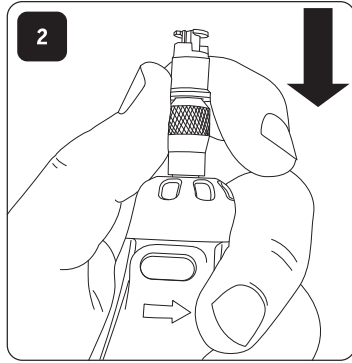
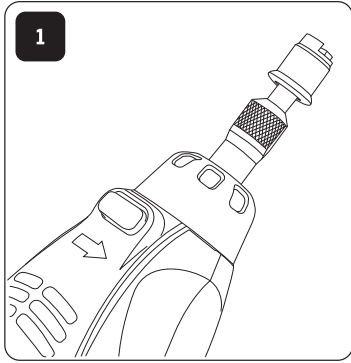


531	15.000						■	■	■	■	■
532	15.000						■	■	■	■	■
535	15.000									■	■
536	15.000									■	■
537	15.000									■	■
538	20.000						■				
540	35.000		402				■	■	■		■
542	35.000			■	■	■					
546	35.000	670		■	■						
561	35.000	565		■	■	■					
562	35.000	566									
569	20.000	568									
570	20.000	568									
612	35.000	231/335		■	■						
615	35.000	231/335		■	■						
640	35.000	231/335		■	■						
650	35.000	231/335		■	■						
652	35.000	231/335		■	■						
654	35.000	231/335		■	■						
655	35.000	231/335		■	■						
932	25.000						■	■	■	■	■
952	25.000						■	■	■	■	■
953	25.000						■	■	■	■	■
997	25.000						■	■	■	■	■
4485	35.000										
4486	35.000										
7103	25.000							■	■	■	■
7105	25.000							■	■	■	■
7122	25.000							■	■	■	■
7134	25.000							■	■	■	■
7144	25.000							■	■	■	■
8153	25.000						■	■	■	■	■
8193	20.000						■	■	■	■	■
8215	20.000						■	■	■	■	■
9901	30.000			■			■	■	■		
9903	30.000			■			■	■	■		
9905	30.000			■			■	■	■		
9910	30.000			■			■	■	■		
9911	30.000			■			■	■	■		
9931	35.000			■	■	■		■			
9934	35.000			■	■	■		■			
9936	35.000			■	■	■		■			
83322	25.000										
84922	25.000										
85422	20.000										
85602	20.000										
SC406	35.000	SC402		■	■		■	■	■		■
SC409	35.000	SC402		■	■		■	■	■		■
SC456	35.000	SC402		■	■		■	■	■		■
SC476	35.000	SC402									
SC544	35.000	SC402		■	■	■					
SC545	35.000	SC402									



A series of horizontal lines for writing, with small black squares placed at various intervals to serve as guides for letter placement and alignment.

EZ SpeedClic™





GB For optimum performance allow your new Flexshaft to run at high speed on your rotary tool in a vertical position for 2 minutes before use.

DE Um die Leistung der biegsamen Welle zu erhöhen, unbedingt vor Erstgebrauch 2 Minuten bei hoher Geschwindigkeit in vertikaler Position laufen lassen, bevor Sie damit arbeiten.

FR Pour obtenir les meilleures performances de votre nouvel arbre flexible, il est important de le router en le faisant tourner à vide, à la vitesse maximum, pendant 2 minutes en position verticale.

IT Per ottimizzare le performance del vostro nuovo albero flessibile fatelo girare ad alta velocità sul vostro minitensile in posizione verticale per due minuti prima di usarlo.

NL Laat uw nieuwe flexibele as voor een optimale prestatie gedurende 2 minuten voor gebruik in verticale positie op hoge snelheid op uw rotatiegereedschap lopen.

DA For optimal udnyttelse af den fleksible aksel, anbefales det at den kører ved høj hastighed uden belastning i 2 minutter inden brug.

SV Kör det roterande verktyget i hög hastighet med den nya böjliga axeln i lodrät position i två minuter innan du använder det för att få bästa prestanda.

NO For å oppnå optimal ytelse bør du før bruk kjøre den fleksible slangen på full hastighet med det roterende verktøyet i loddrett stilling i 2 minutter.

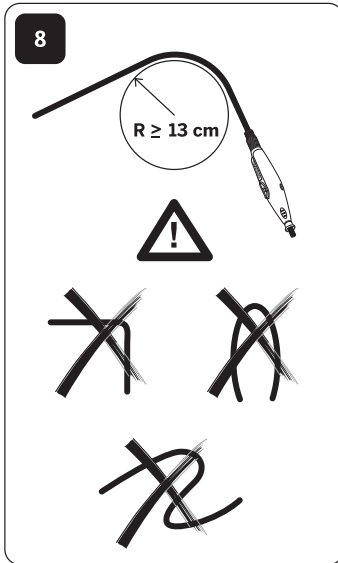
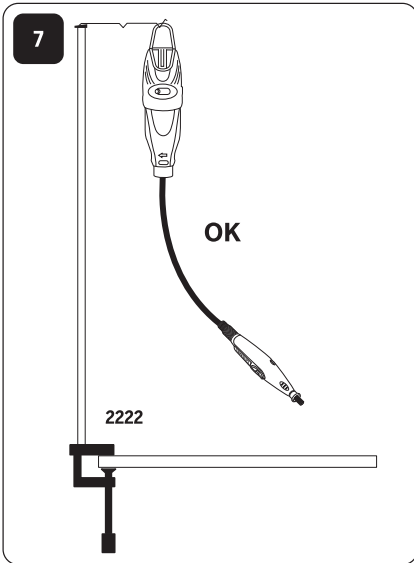
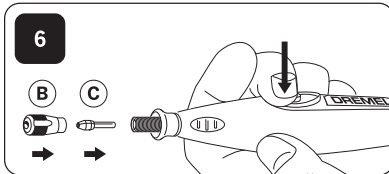
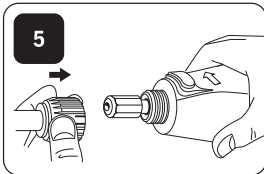
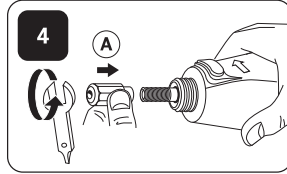
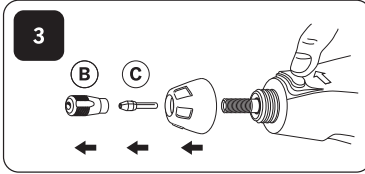
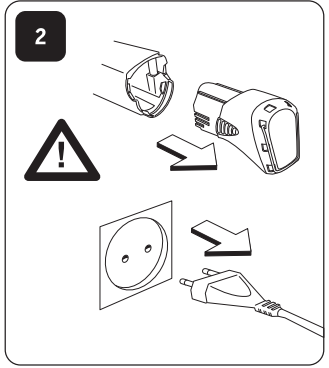
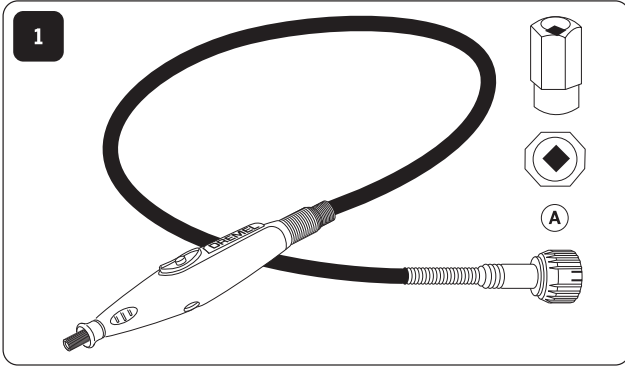
FI Parhaan mahdollisen käyttötehon varmistamiseksi anna uuden taipuisan akselin käydä suurella nopeudella korkeanopeuksiseen työkaluun kiinnitettynä pystysuorassa asennossa 2 minuutin ajan ennen käyttöä.

ET Optimaalse jõudluse tagamiseks laske oma uuel Flexshaft-seadmel enne kasutamist 2 minutit suurel kiirusel vertikaalasendis töötada.

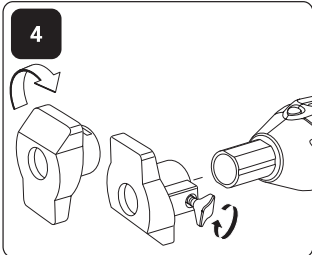
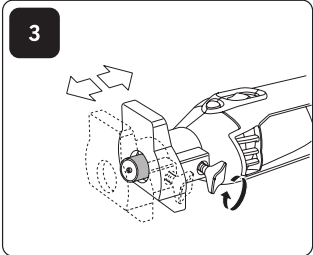
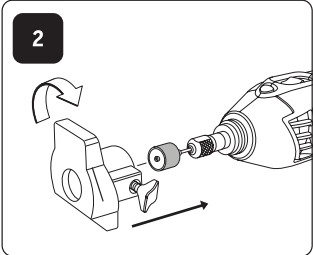
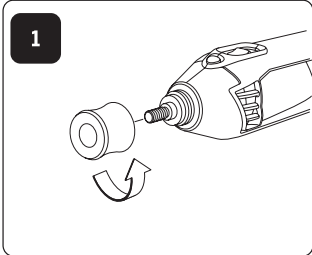
LT Kad veiktu optimaliai, prieš pirmąkart naudodami leiskite ant sukamojo įrankio uždegtam „Flexshaft“ dideliu greičiu vertikaliai veikti 2 minutes.

LV Lai nodrošinātu optimālu ierīces darbību, divas minūtes pirms lietošanas darbiniet jauno, elastīgo skrūvvrāpstu uz rotošajā rīcā vertikālā stāvoklī.

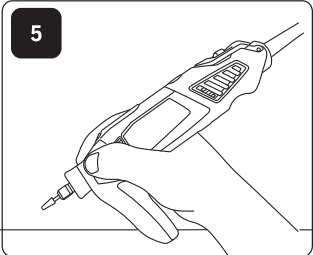
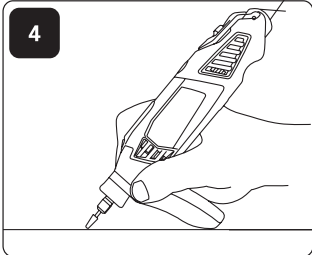
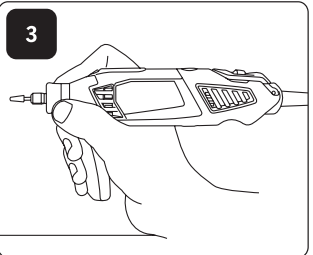
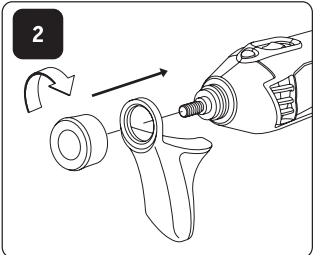
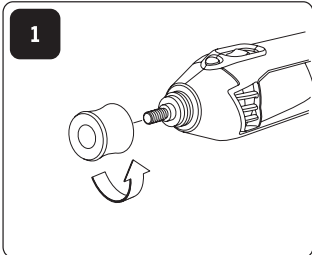
AR للحصول على الأداء الأمثل، اترك موتور Flexshaft الجديد الخاص بك يعمل على سرعة مرتفعة على الأداة الدوارة في وضع عمودي لمدة دقيقتين بعد الاستخدام.



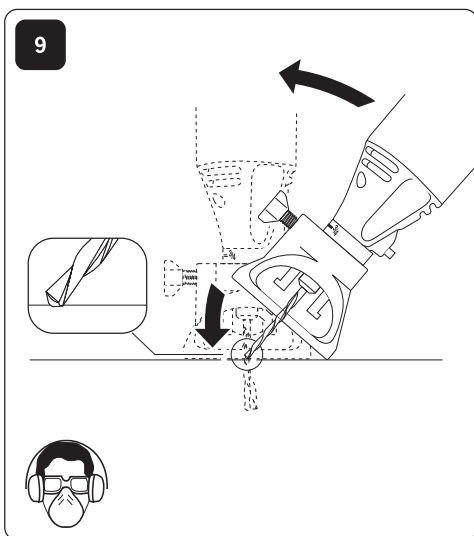
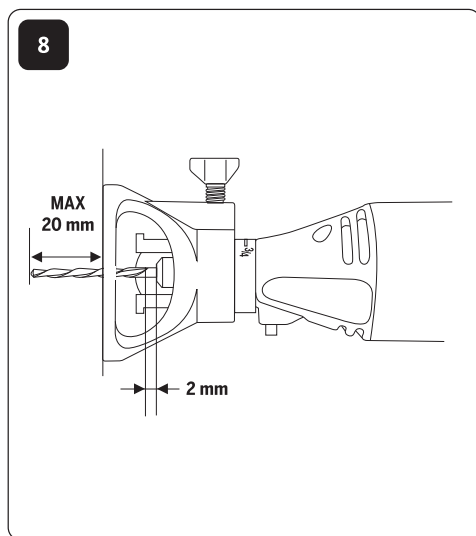
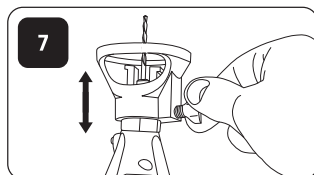
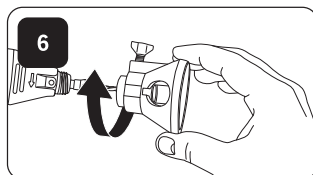
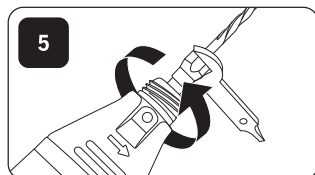
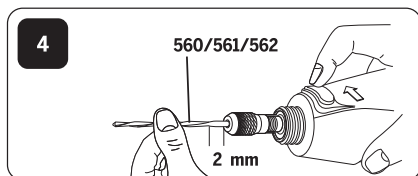
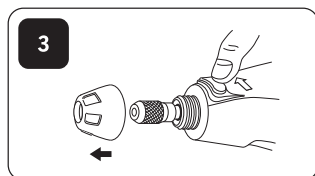
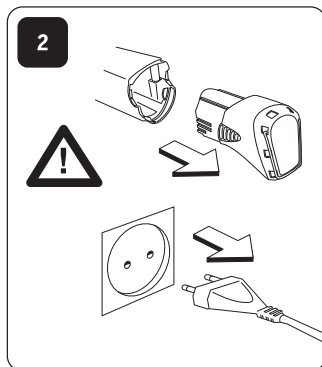
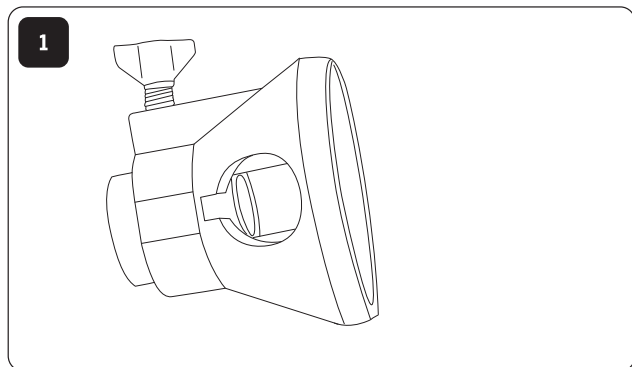
576

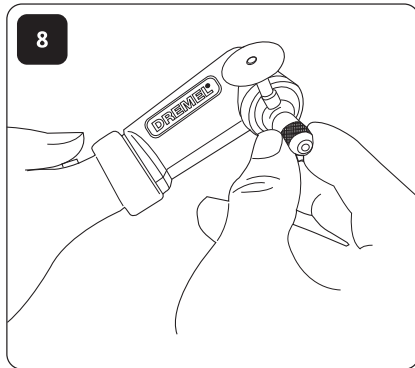
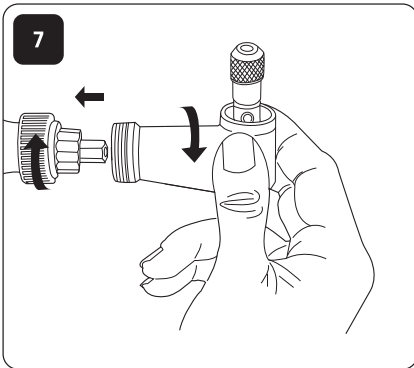
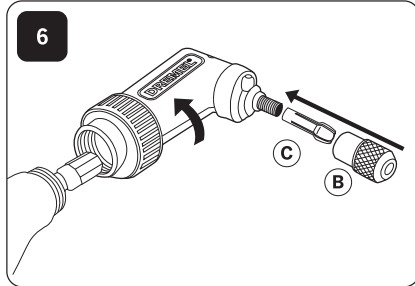
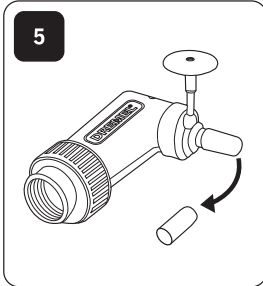
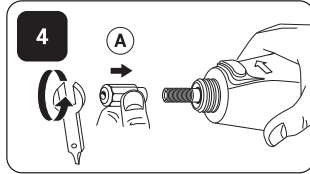
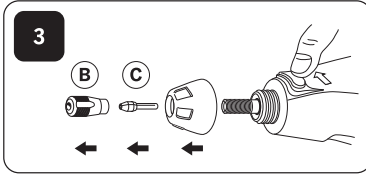
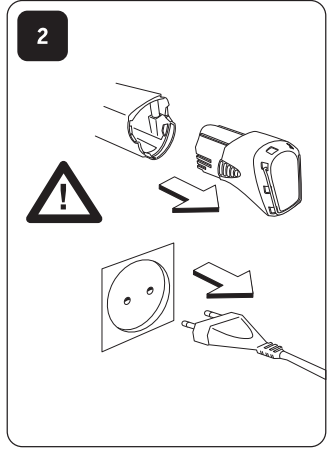
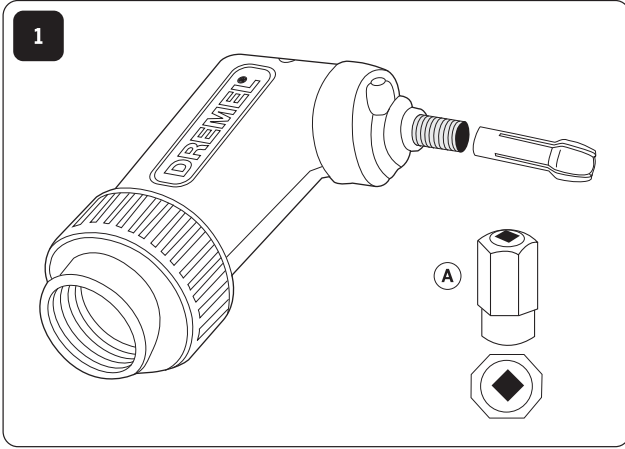


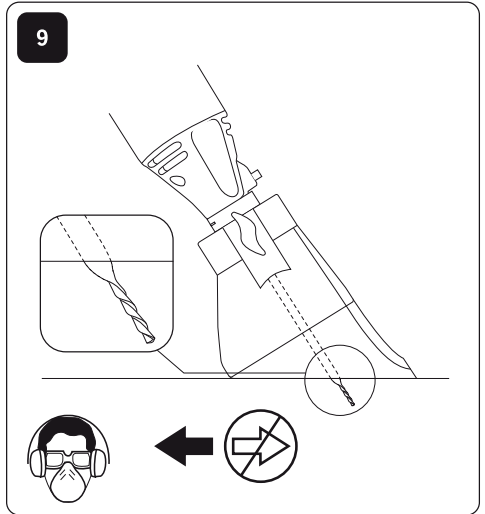
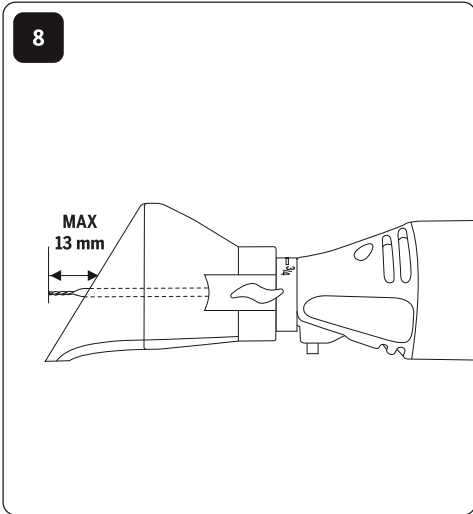
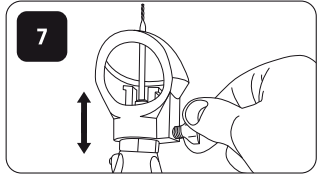
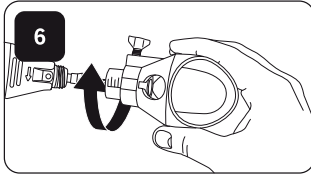
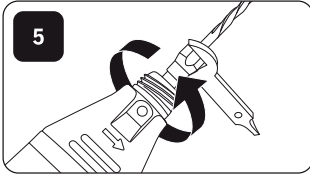
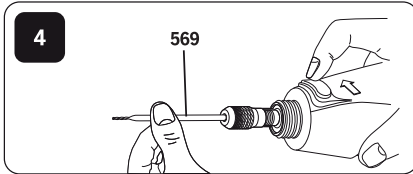
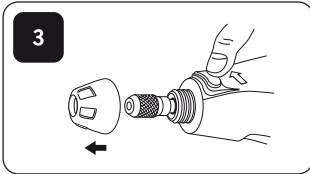
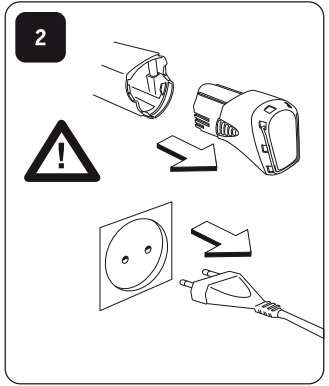
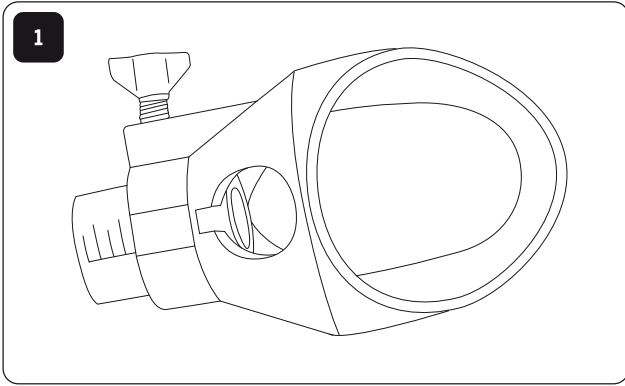
577

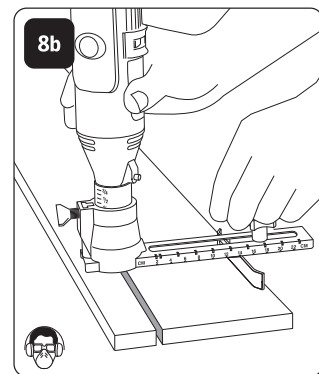
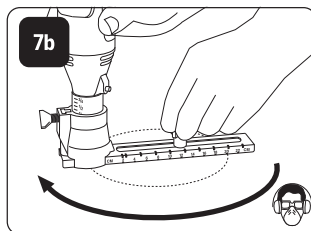
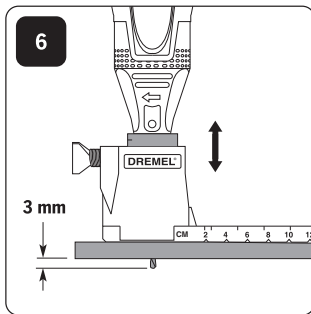
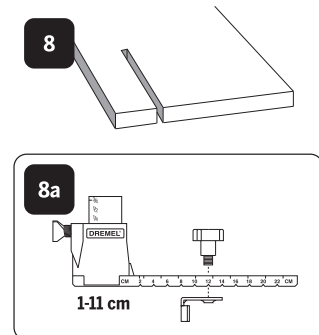
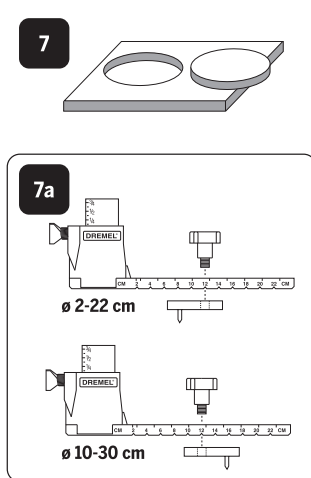
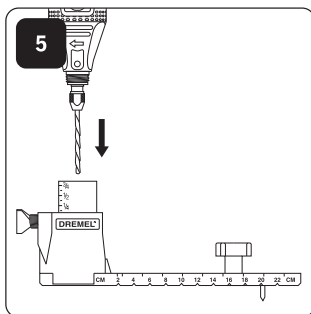
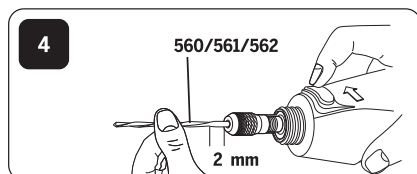
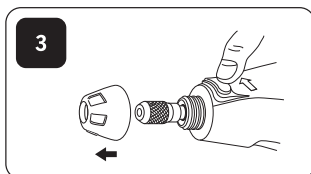
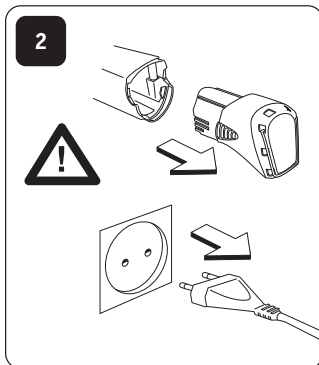
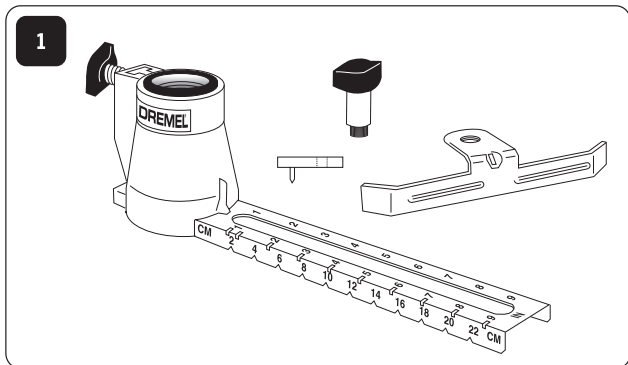


565/566









GB

CE DECLARATION OF CONFORMITY We declare under our sole responsibility that this product is in conformity with the following standards or standardized documents: EN60745, EN55014, in accordance with the provisions of the directives 2004/108/EC, 2006/42/EC.

NOISE/VIBRATION Measured in accordance with EN60745 the sound pressure level of this tool is 77.4 dB(A) and the sound power level 88.4 dB(A) (standard deviation: 3.0 dB), and the vibration * m/s² (hand-arm method).

NOTE: The declared vibration total value has been measured in accordance with a standard test method and may be used for comparing one tool with another. It may also be used in a preliminary assessment of exposure.

WARNING The vibration emission during actual use of the power tool can differ from the declared total value depending on the ways in which you use the tool. Make an estimation of the exposure in the actual conditions of use and identify the safety measures for personal protection accordingly (taking account of all parts of the operating cycle such as the times when the tool is switched off and when it is running idle in addition to the trigger time).

Technical file at: SKIL Europe BV (PT-SEU/PJE), 4825 BD Breda, NL.

DE

CE KONFORMITÄTSERKLÄRUNG Wir erklären in alleiniger Verantwortung, dass dieses Produkt mit den folgenden Normen oder normativen Dokumenten übereinstimmt: EN60745, EN55014, gemäß den Bestimmungen der Richtlinien 2004/108/EC, 2006/42/EC.

GERÄUSCH/VIBRATION Gemessen gemäß EN60745 beträgt der Schalldruckpegel dieses Gerätes 77,4 dB(A) und der Schalleistungspegel 88,4 dB(A) (Standard- abweichung: 3,0 dB), und die Vibration * m/s² (Hand-Arm Methode).

HINWEIS: Der angegebene Schwingungs-Gesamtwert ist entsprechend einem genormten Prüfverfahren gemessen worden und kann für den Vergleich von Werkzeugen miteinander verwendet werden. Er eignet sich auch für eine vorläufige Einschätzung der Schwingungsbelastung.

WARNING In Abhängigkeit von der Art, in der das Werkzeug verwendet wird, kann die Schwingungsemission während der eigentlichen Arbeit von dem angegebenen Gesamtwert abweichen. Um die Exposition unter den tatsächlich Anwendungsbedingungen abzuschätzen und zu bestimmen, welche persönlichen Schutzmaßnahmen erforderlich sind, sollten zusätzlich zu den Bedienungszeiten auch die Zeiten berücksichtigt werden, in denen das Gerät abgeschaltet ist oder im Leerlauf läuft.

Technische Unterlagen bei: SKIL Europe BV (PT-SEU/PJE), 4825 BD Breda, NL.

FR

CE DÉCLARATION DE CONFORMITÉ Nous déclarons sous notre propre responsabilité que ce produit est en conformité avec les normes ou documents normalisés suivants: EN60745, EN55014, conforme aux réglementations 2004/108/EC, 2006/42/EC.

BRUIT/VIBRATION Mesuré selon EN60745 le niveau de la pression sonore de cet outil est 77,4 dB(A) et le niveau de la puissance sonore 88,4 dB(A) (déviations standard: 3,0 dB), et la vibration * m/s² (méthode main-bras).

REMARQUE : La valeur totale des vibrations déclarées, mesurée selon une méthode de test standard, peut être utilisée pour comparer un outil à un autre. Elle peut également être utilisée dans le cadre d'une évaluation préliminaire du degré d'exposition.

ATTENTION L'émission de vibrations lors de l'utilisation de l'outil électroportatif peut différer de la valeur totale déclarée selon la manière dont vous l'utilisez. Estimez l'exposition à ces dernières dans les conditions réelles d'utilisation, qui vous permettra d'identifier les mesures de sécurité à prendre en matière de protection personnelle (en tenant compte de l'ensemble des parties du cycle d'exploitation, telles que le moment où l'outil est éteint et celui où il est en veille, en plus de celui où il est activé).

Dossier technique auprès de: SKIL Europe BV (PT-SEU/PJE), 4825 BD Breda, NL.

IT

CE DICHIARAZIONE DI CONFORMITÀ Dichiariamo, assumendo la piena responsabilità di tale dichiarazione, che il prodotto è conforme alle seguenti normative e ai relativi documenti: EN60745, EN55014 in base alle prescrizioni delle direttive 2004/108/EC, 2006/42/EC.

RUMOROSITÀ/VIBRAZIONE Misurato in conformità al EN60745 il livello di pressione acustica di questo utensile è 77,4 dB(A) ed il livello di potenza acustica 88,4 dB(A) (deviazione standard: 3,0 dB), e la vibrazione * m/s² (metodo mano-braccio).

NOTA: Il valore totale dichiarato di vibrazioni è stato misurato con un metodo di test standard e può essere usato per confrontare un utensile con un altro. Esso può inoltre essere usato per una valutazione preliminare dell'esposizione.

ATTENZIONE L'emissione di vibrazioni durante l'utilizzo dell'elettro utensile può variare dal valore totale dichiarato in base al modo in cui si utilizza l'utensile. Fare una stima dell'esposizione nelle condizioni di utilizzo attuali e, di conseguenza, identificare le misure di sicurezza per la protezione personale (prendendo in considerazione tutte le parti del ciclo di funzionamento come le volte in cui l'utensile viene spento e quando funziona in folle oltre al tempo di azionamento).

Fascicolo tecnico presso: SKIL Europe BV (PT-SEU/PJE), 4825 BD Breda, NL.

NL

CE CONFORMITEITSVERKLARING Wij verklaren, dat dit product voldoet aan de volgende normen of normatieve documenten: EN60745, EN55014, overeenkomstig de bepalingen van de richtlijnen 2004/108/EC, 2006/42/EC.

GELUID/VIBRATIE Gemeten volgens EN60745 bedraagt het geluidsdrukniveau van deze machine 77,4 dB(A) en het geluidsvermogen-niveau 88,4 dB(A) (standaard deviatie: 3,0 dB), en de vibratie * m/s² (hand-arm methode).

OPMERKING: De totaal opgegeven trillingsemissie is gemeten aan de hand van een standaard testmethode en kan worden gebruikt om gereedschap onderling met elkaar te vergelijken. De informatie mag ook worden gebruikt om een voorlopige inschatting van de mate van blootstelling te maken.

LET OP De trillingsemissie tijdens het daadwerkelijke gebruik van het gereedschap kan afwijken van de opgegeven totale waarde. Dit is afhankelijk van de manier waarop u het gereedschap gebruikt. Maak een inschatting van de mate waarin u tijdens daadwerkelijk gebruik aan trillingen wordt blootgesteld en stel aan de hand hiervan de persoonlijke beschermingsmaatregelen vast (waarbij u rekening houdt met alle onderdelen van de bedrijfs-cyclus, waaronder de tijden dat het gereedschap is uitgeschakeld of is ingeschakeld maar niet wordt gebruikt, evenals de blootstellingstijd).

Technisch dossier bij: SKIL Europe BV (PT-SEU/PJE), 4825 BD Breda, NL.

DA

CE KONFORMITETSERKLÆRING Vi erklærer under almindeligt ansvar, at dette produkt er i overensstemmelse med følgende normer eller normative dokumenter: EN60745, EN55014, i henhold til bestemmelserne i direktiverne 2004/108/EC, 2006/42/EC.

STØJ/VIBRATION Måles efter EN60745 er lydtrykniveau af dette værktøj 77,4 dB(A) og lydeffektniveau 88,4 dB(A) (standard deviation: 3,0 dB), og vibrationsniveauet * m/s² (hand-arm metoden).

Bemærk: Den angivne samlede vibrationsemissionsværdi er målt i overensstemmelse med en standardtestmetode og kan bruges til sammenligning af to stykker værktøj. Den kan også bruges i forbindelse med en foreløbig eksponeringsvurdering.

ADVARSEL Under faktisk brug af el-værktøjet kan vibrationsemissionen afvige fra den angivne samlede værdi afhængigt af, hvordan værktøjet bruges. Foretag en eksponeringsvurdering i de omgivelser, hvor værktøjet skal bruges, og tag derefter de nødvendige sikkerhedsforanstaltninger (alle aspekter af arbejdsforløbet skal indgå i vurderingen; også de perioder, hvor værktøjet er slukket eller kører i tomgang).

Teknisk dossier hos: SKIL Europe BV (PT-SEU/PJE), 4825 BD Breda, NL.

[3000]

c1	4.8 m/s²
c2	2.4 m/s²
c3	5.4 m/s²
c4	4.9 m/s²
c5	1.5 m/s²

	[1]	[2]	[3]	[4]	[5]
(GB)	While drilling	While polishing	While wire-brushing	While sanding	Uncertainty (K)
(DE)	Beim Bohren	Beim Polieren	Beim Abbürsten	Beim Sandpapier-schleifen	Unsicherheit (K)
(FR)	Au cours du perçage	Polissage	Brossage	Au cours du ponçage	Incertitude (K)
(IT)	In perforazione	In lucidatura	In spazzolatura	In sabbatura	Non noto (K)
(NL)	Bij het boren	Tijdens het polijsten	Tijdens het bewerken met staalborstel	Bij het schuren	Onzekerheid (K)
(DA)	Under boringen	Ved polering	Ved stålborstning	Under slibningen	Usikkerhed (K)
(SV)	Vid borning	Vid polering	Vid arbeten med stålborste	Vid sandpappersslipning	Osäkerhet (K)
(NO)	Under drilling	Ved polering	Ved stålborstning	Under sliping med sandpapir	Usikkert (K)
(FI)	Porattaessa	Kiillotettaessa	Käytettäessä teräs-harjaa	Hiottaessa	Epävarmuus (K)
(ET)	Puurimisel	Poleerimisel	Terasharjamisel	Lihvimisel	Määramatus (K)
(LT)	Kai gręziama	Poliruojant	Šveičiant vieliniu šepėčiu	Kai šlifuojama	Neaiškumas (K)
(LV)	Urbšanas laikā	Pulējot	Pulējot ar metāla suku	Slipēšanas laikā	Neskaidrības gadījumā (K)
(AR)	أثناء الحفر	أثناء الصقل	أثناء التنظيف بالفرشاة السلكية	أثناء الصنفرة بالرمل	(K) الشك

USED SYMBOLS



READ THESE INSTRUCTIONS



USE HEARING PROTECTION



USE EYE PROTECTION



USE A DUST MASK

GENERAL POWER TOOL
SAFETY WARNINGS**⚠ WARNING** READ ALL SAFETY WARNINGS
AND ALL INSTRUCTIONS.

Failure to follow the warnings and instructions may result in electric shock, fire and/or serious injury.

Save all warnings and instructions for future reference.

The term "power tool" in the warnings refers to your mains-operated (corded) power tool or battery-operated (cordless) power tool.

WORK AREA SAFETY

- Keep work area clean and well lit. Cluttered and dark areas invite accidents.
- Do not operate power tools in explosive atmospheres, such as in the presence of flammable liquids, gases or dust. Power tools create sparks which may ignite the dust or fumes.
- Keep children and bystanders away while operating a power tool. Distractions can cause you to lose control.

ELECTRICAL SAFETY

- Power tool plug must match the outlet. Never modify the plug in any way. Do not use any adapter plugs with earthed (grounded) power tools. Unmodified plugs and matching outlets will reduce risk of electric shock.
- Avoid body contact with earthed or grounded surfaces such as pipes, radiators, ranges and refrigerators. There is an increased risk of electric shock if your body is earthed or grounded.
- Do not expose power tools to rain or wet conditions. Water entering a power tool will increase the risk of electric shock.
- Do not abuse the cord. Never use the cord for carrying, pulling or unplugging the power tool. Keep cord away from heat, oil, sharp edges or moving parts. Damaged or entangled cords increase the risk of electric shock.

- When operating a power tool outdoors, use an extension cord suitable for outdoor use. Use of a cord suitable for outdoor use reduces the risk of electric shock.
- If operating a power tool in a damp location is unavoidable, use an earth leakage circuit breaker (ELCB) protected supply. Use of an earth leakage circuit breaker reduces the risk of electric shock.

PERSONAL SAFETY

- Stay alert, watch what you are doing and use common sense when operating a power tool. Do not use a power tool while you are tired or under the influence of drugs, alcohol or medication. A moment of inattention while operating power tools may result in serious personal injury.
- Use personal protective equipment. Always wear eye protection. Protective equipment such as dust mask, non-skid safety shoes, hard hat, or hearing protection used for appropriate conditions will reduce personal injuries.
- Prevent unintentional starting. Ensure the switch is in the off-position before connecting to power source and/or battery pack, picking up or carrying the tool. Carrying power tools with your finger on the switch or energising power tools that have the switch on invites accidents.
- Remove any adjusting key or wrench before turning the power tool on. A wrench or a key left attached to a rotating part of the power tool may result in personal injury.
- Do not overreach. Keep proper footing and balance at all times. This enables better control of the power tool in unexpected situations.
- Dress properly. Do not wear loose clothing or jewellery. Keep your hair, clothing and gloves away from moving parts. Loose clothes, jewellery or long hair can be caught in moving parts.
- If devices are provided for the connection of dust extraction and collection facilities, ensure these are connected and properly used. Use of these devices can reduce dust related hazards.

POWER TOOL USE AND CARE

- Do not force the power tool. Use the correct power tool for your application. The correct power tool will do the job better and safer at the rate for which it was designed.
- Do not use the power tool if the switch does not turn it on and off. Any power tool that cannot be controlled with the switch is dangerous and must be repaired.
- Disconnect the plug from the power source and/or the battery pack from the power tool before making any adjustments, changing accessories, or storing power tools. Such preventive safety measures reduce the risk of starting the power tool accidentally.
- Store idle power tools out of the reach of children and do not allow persons unfamiliar with the power tool or these instructions to operate the power tool. Power tools are dangerous in the hands of untrained users.
- Maintain power tools. Check for misalignment or binding of moving parts, breakage of parts and any other condition that may affect the power tools operation. If

damaged, have the power tool repaired before use. *Many accidents are caused by poorly maintained power tools.*

- f. **Keep cutting tools sharp and clean.** *Properly maintained cutting tools with sharp cutting edges are less likely to bind and are easier to control.*
- g. **Use the power tool, accessories and tool bits etc., in accordance with these instructions, taking into account the working conditions and the work to be performed.** *Use of the power tool for operations different from those intended could result in a hazardous situation.*

SERVICE

- a. **Have your power tool serviced by a qualified repair person using only identical replacement parts.** *This will ensure that the safety of the power tool is maintained.*

SAFETY INSTRUCTIONS FOR ALL OPERATIONS

SAFETY WARNINGS THAT ARE COMMON FOR GRINDING, SANDING, WIRE BRUSHING, POLISHING OR ABRASIVE CUTTING OFF OPERATIONS

- a. **This power tool is intended to function as a grinder, sander, wire brush, polisher or cut-off tool.** Read all safety warnings, instructions, illustrations and specifications provided with this power tool. *Failure to follow all instructions listed below may result in electric shock, fire and/or serious injury.*
- b. **Do not use accessories which are not specifically designed and recommended by the tool manufacturer.** *Just because the accessory can be attached to your power tool, it does not assure safe operation.*
- c. **The rated speed of the accessory must be at least equal to the maximum speed marked on the power tool.** *Accessories running faster than their rated speed can fly apart.*
- d. **The outside diameter and the thickness of your accessory must be within the capacity rating of your power tool.** *Incorrectly sized accessories cannot be adequately guarded or controlled.*
- e. **The arbour size of wheels, flanges, backing pads or any other accessory must properly fit the spindle of the power tool.** *Accessories with arbour holes that do not match the mounting hardware of the power tool will run out of balance, vibrate excessively and may cause loss of control.*
- f. **Do not use a damaged accessory.** Before each use inspect the accessory such as abrasive wheels for chips and cracks, backing pad for cracks, tear or excess wear, wire brush for loose or cracked wires. If power tool or accessory is dropped, inspect for damage or install an undamaged accessory. After inspecting and installing an accessory, position yourself and bystanders away from the plane of the rotating accessory and run the power tool at maximum no load speed for one minute. *Damaged accessories will normally break apart during this test time.*
- g. **Wear personal protective equipment.** Depending on

application, use face shield, safety goggles or safety glasses. As appropriate, wear dust mask, hearing protectors, gloves and shop apron capable of stopping small abrasive or workpiece fragments. *The eye protection must be capable of stopping flying debris generated by various operations. The dust mask or respirator must be capable of filtering particles generated by your operation. Prolonged exposure to high intensity noise may cause hearing loss.*

- h. **Keep bystanders a safe distance away from work area.** **Anyone entering the work area must wear personal protective equipment.** *Fragments of workpiece or of a broken accessory may fly away and cause injury beyond immediate area of operation.*
- i. **Hold power tool by insulated gripping surfaces only, when performing an operation where the cutting accessory may contact hidden wiring or its own cord.** *Cutting accessory contacting a "live" wire may make exposed metal parts of the power tool "live" and shock the operator.*
- j. **Use clamps or another practical way to secure and support the workpiece to a stable platform.** *Holding the work by your hand or against the body leaves it unstable and may lead to loss of control.*
- k. **Position the cord clear of the spinning accessory.** *If you lose control, the cord may be cut or snagged and your hand or arm may be pulled into the spinning accessory.*
- l. **Never lay the power tool down until the accessory has come to a complete stop.** *The spinning accessory may grab the surface and pull the power tool out of your control.*
- m. **Do not run the power tool while carrying it at your side.** *Accidental contact with the spinning accessory could snag your clothing, pulling the accessory into your body.*
- n. **Regularly clean the power tool's air vents.** *The motor's fan will draw the dust inside the housing and excessive accumulation of powdered metal may cause electrical hazards.*
- o. **Do not operate the power tool near flammable materials.** *Sparks could ignite these materials.*
- p. **Do not use accessories that require liquid coolants.** *Using water or other liquid coolants may result in electrocution or shock.*
- q. **Do not work materials containing asbestos** (*asbestos is considered carcinogenic*).
- r. **Take protective measures when during work dust can develop that is harmful to one's health, combustible or explosive** (*some dusts are considered carcinogenic*); wear a dust mask and work with dust/ chip extraction when connectable.

KICKBACK AND RELATED WARNINGS

Kickback is a sudden reaction to a pinched or snagged rotating wheel, backing pad, brush or any other accessory. Pinching or snagging causes rapid stalling of the rotating accessory which in turn causes the uncontrolled power tool to be forced in the direction opposite of the accessory's rotation at the point of the binding. For example, if an abrasive wheel is snagged or pinched by the workpiece, the edge of the wheel that is entering into the pinch point can dig into the surface of the material causing the wheel to climb out or kick out. The wheel may either jump toward

or away from the operator, depending on direction of the wheel's movement at the point of pinching. Abrasive wheels may also break under these conditions. Kickback is the result of power tool misuse and/or incorrect operating procedures or conditions and can be avoided by taking proper precautions as given below.

- a. **Maintain a firm grip on the power tool and position your body and arm to allow you to resist kickback forces. Always use auxiliary handle, if provided, for maximum control over kickback or torque reaction during start-up.**
The operator can control torque reactions or kickback forces, if proper precautions are taken.
- b. **Never place your hand near the rotating accessory. Accessory may kickback over your hand.**
- c. **Do not position your body in the area where power tool will move if kickback occurs. Kickback will propel the tool in direction opposite to the wheel's movement at the point of snagging.**
- d. **Use special care when working corners, sharp edges etc. Avoid bouncing and snagging the accessory. Corners, sharp edges or bouncing have a tendency to snag the rotating accessory and cause loss of control or kickback.**
- e. **Do not attach a saw chain woodcarving blade or toothed saw blade. Such blades create frequent kickback and loss of control.**

SAFETY WARNINGS SPECIFIC FOR GRINDING AND ABRASIVE CUTTING OFF OPERATIONS

- a. **Use only wheel types that are recommended for your power tool and the specific guard designed for the selected wheel. Wheels for which the power tool was not designed cannot be adequately guarded and are unsafe.**
- b. **Wheels must be used only for recommended applications. For example: do not grind with the side of cut-off wheel. Abrasive cut-off wheels are intended for peripheral grinding, side forces applied to these wheels may cause them to shatter.**
- c. **Always use undamaged wheel flanges that are of correct size and shape for your selected wheel. Proper wheel flanges support the wheel thus reducing the possibility of wheel breakage. Flanges for cut-off wheels may be different from grinding wheel flanges.**
- d. **Do not use worn down wheels from larger power tools. Wheel intended for larger power tool is not suitable for the higher speed of a smaller tool and may burst.**

ADDITIONAL SAFETY WARNINGS SPECIFIC FOR ABRASIVE CUTTING OFF OPERATIONS

- a. **Do not "jam" the cut-off wheel or apply excessive pressure. Do not attempt to make an excessive depth of cut. Overstressing the wheel increases the loading and susceptibility to twisting or binding of the wheel in the cut and the possibility of kickback or wheel breakage.**
- b. **Do not position your body in line with and behind the rotating wheel. When the wheel, at the point of operation, is moving away from your body, the possible kickback may propel the spinning wheel and the power tool directly at you.**
- c. **When wheel is binding or when interrupting a cut for any reason, switch off the power tool and hold the power tool**

motionless until the wheel comes to a complete stop. Never attempt to remove the cut-off wheel from the cut while the wheel is in motion otherwise kickback may occur. Investigate and take corrective action to eliminate the cause of wheel binding.

- d. **Do not restart the cutting operation in the workpiece. Let the wheel reach full speed and carefully re-enter the cut. The wheel may bind, walk up or kickback if the power tool is restarted in the workpiece.**
- e. **Support panels or any oversized workpiece to minimize the risk of wheel pinching and kickback. Large workpieces tend to sag under their own weight. Supports must be placed under the workpiece near the line of cut and near the edge of the workpiece on both sides of the wheel.**
- f. **Use extra caution when making a "pocket cut" into existing walls or other blind areas. The protruding wheel may cut gas or water pipes, electrical wiring or objects that can cause kickback.**

SAFETY WARNINGS SPECIFIC FOR SANDING OPERATIONS

- a. **Do not use excessively oversized sanding disc paper. Follow manufacturers recommendations, when selecting sanding paper. Larger sanding paper extending beyond the sanding pad presents a laceration hazard and may cause snagging, tearing of the disc, or kickback.**

SAFETY WARNINGS SPECIFIC FOR POLISHING OPERATIONS

- a. **Do not allow any loose portion of the polishing bonnet or its attachment strings to spin freely. Tuck away or trim any loose attachment strings. Loose and spinning attachment strings can entangle your fingers or snag on the workpiece.**

SAFETY WARNINGS SPECIFIC FOR WIRE BRUSHING OPERATIONS

- a. **Be aware that wire bristles are thrown by the brush even during ordinary operation. Do not overstress the wires by applying excessive load to the brush. The wire bristles can easily penetrate light clothing and/or skin.**
- b. **If the use of a guard is recommended for wire brushing, do not allow any interference of the wire wheel or brush with the guard. Wire wheel or brush may expand in diameter due to work load and centrifugal forces.**

MACHINE-SPECIFIC SAFETY WARNINGS

- a. **Use the machine only for dry sanding. Penetration of water into the machine increases the risk of an electric shock.**
- b. **Keep hands away from the sawing range. Do not reach under the workpiece. Contact with the saw blade can lead to injuries.**
- c. **Use suitable detectors to determine if utility lines are hidden in the work area or call the local utility company for assistance. Contact with electric lines can lead to fire and**

electric shock. Damaging a gas line can lead to explosion. Penetrating a water line causes property damage or may cause an electric shock.

- d. **When working with the machine, always hold it firmly with both hands and provide for a secure stance.** *The power tool is guided more secure with both hands.*
- e. **Secure the workpiece.** *A workpiece clamped with clamping devices or in a vice is held more secure than by hand.*
- f. **Keep your workplace clean.** *Blends of materials are particularly dangerous. Dust from light alloys can burn or explode.*
- g. **Wear protective gloves when changing application tools/accessories.** *Application tools/accessories become hot after prolonged usage.*
- h. **Do not treat the surface to be worked with solvent-containing fluids.** *Materials being warmed up by the scraping can cause toxic vapours to develop.*
- i. **Exercise extreme caution when handling the scraper.** *The accessory is very sharp; danger of injury.*

⚠ WARNING DO NOT WORK WITH MATERIALS CONTAINING ASBESTOS (ASBESTOS IS CONSIDERED CARCINOGENIC).

⚠ WARNING TAKE PROTECTIVE MEASURES WHEN DURING WORK DUST CAN DEVELOP THAT IS HARMFUL TO ONE'S HEALTH, COMBUSTIBLE OR EXPLOSIVE (SOME DUSTS ARE CONSIDERED CARCINOGENIC); WEAR A DUST MASK AND WORK WITH DUST/ CHIP EXTRACTION WHEN CONNECTABLE.

ENVIRONMENT

DISPOSAL

The machine, accessories and packaging should be sorted for environmental-friendly recycling.


ONLY FOR EC COUNTRIES



Do not dispose of power tools into household waste! According to the European Guideline 2002/96/EC for Waste Electrical and Electronic Equipment and its implementation into national right, power tools that are no longer usable must be collected separately and disposed of in an environmentally correct manner.

SPECIFICATIONS

GENERAL SPECIFICATIONS

Voltage Rating	230 V, 50 Hz
Rated Power	130W
Rated Speed	33 000 RPM
Collet Capacity	0.8mm, 1.6mm, 2.4mm, 3.2mm
 Class II construction	Double insulated construction tools

EXTENSION CORDS

Use completely unrolled and safe extension cords with a capacity of 5 Amps.

MOTOR SPECIFICATIONS

This multitool utilizes a variable high speed motor. It is wired for operation on 230 V, 50 Hz. Always check that the supply voltage is the same as the voltage indicated on the nameplate of the tool.

ASSEMBLY

ALWAYS UNPLUG MULTITOOL BEFORE CHANGING ACCESSORIES, CHANGING COLLETS, OR SERVICING THE TOOL.

GENERAL

The Dremel multitool is a high quality precision tool that can be used to perform detailed and intricate tasks. The wide range of Dremel accessories and attachments allow you to perform a large variety of tasks. These include tasks such as sanding, carving and engraving and routing, cutting, cleaning and polishing.

PICTURE 1

- A. Collet nut
- B. Collet
- C. EZ Twist™ integrated wrench/nose cap
- D. Shaft lock button
- E. On/Off switch
- F. Hanger
- G. Cord
- H. Ventilation openings
- I. Brush cover (one on each side)
- J. Ventilation openings

COLLETS

The Dremel accessories available for the multitool come with various shank sizes. Four size collets are available to accommodate the different shank sizes. Collet sizes are identified by the rings on the back of the collet.

PICTURE 2

- K. 3.2 mm Collet without ring (480)
- L. 2.4 mm Collet with three rings (481)
- M. 1.6 mm Collet with two rings (482)
- N. 0.8 mm Collet with one ring (483)

NOTE: Some multitool kits may not include all four collet sizes. Collets are available separately.

Always use the collet which matches the shank size of the accessory you plan to use. Do not force a larger diameter shank into a smaller collet.

CHANGING COLLETS

PICTURE 3

- O. Shaft Lock Button
- P. Collet nut
- Q. To loosen
- R. To tighten
- S. Collet wrench

1. Press the shaft lock button, hold down and rotate the shaft by hand until it engages the shaft. Do not engage the shaft lock button while multitool is running.
2. With the shaft lock button engaged, loosen and remove the collet nut. Use the collet wrench if necessary.
3. Remove the collet by pulling it free from the shaft.
4. Install the appropriate size collet fully into the shaft and reinstall the collet nut finger tight. Do not fully tighten the nut when there is no bit or accessory installed.

CHANGING ACCESSORIES

PICTURE 3/5

1. Press the shaft lock button and rotate the shaft by hand until it engages the shaft lock. *Do not engage the shaft lock button while multitool is running.*
2. With the shaft lock button engaged, loosen (do not remove) the collet nut. Use the collet wrench if necessary.
3. Insert the bit or accessory shank fully into the collet.
4. With the shaft lock button engaged, finger tighten the collet nut until the bit or accessory shank is gripped by the collet.
NOTE: Be sure to read the instructions supplied with your Dremel accessory for further information on its use.

Use only Dremel tested, high performance accessories.

EZ TWIST™ INTEGRATED WRENCH/NOSE CAP

PICTURE 4/5

- T. EZ Twist™ integrated wrench/nose cap

The nose cap of your tool has an integrated wrench allowing you to loosen and tighten the collet nut without the use of the standard collet wrench.

1. Unscrew the nose cap from the tool, line-up the steel insert on inside of the cap with the collet nut.
2. With the shaft lock engaged twist nose cap counter clockwise to loosen the collet nut. Do not engage the shaft lock button while multitool is running.
3. Insert the bit or accessory shank fully into the collet.
4. With the shaft lock engaged twist nose cap clockwise to tighten the collet nut.
5. Screw the nose cap back into its original position.
NOTE: Be sure to read the instructions supplied with your Dremel accessory for further information on its use.

Use only Dremel tested, high performance accessories.

GETTING STARTED

USE

The first step in using the multitool is to get the “feel” of it. Hold it in your hand and feel its weight and balance. Feel the taper of the housing. This taper permits the tool to be grasped much like a pen or pencil. The unique softgrip on the nose allows for added comfort and control during use.

Always hold the tool away from your face. Accessories can be damaged during handling and can fly apart as they come up to speed.

When holding tool, do not cover the ventilation openings with your hand. Blocking the ventilation openings could cause the motor to overheat.

IMPORTANT! Practice on scrap material first to see how the tool's high-speed action performs. Keep in mind that your multitool will perform best by allowing the speed, along with the correct Dremel accessory and attachment, to do the work for you. Do not put pressure on the tool during use, if possible. Instead, lower the spinning accessory lightly to the work surface and allow it to touch the point at which you want to begin. Concentrate on guiding the tool over the work using very little pressure from your hand. Allow the accessory to do the work.

Usually it is better to make a series of passes with the tool rather than to do the entire job with one pass. A gentle touch gives the best control and reduces the chance of error.

For best control in close work, grip the multitool like a pencil between your thumb and forefinger. PICTURE 6

The “golf” grip method is used for heavier operations such as grinding or cutting. PICTURE 7

OPERATING SPEEDS

This tool is a high speed multitool. Its speeds vary from 10000 to 33000 RPM. Adjusting the no. of RPM to your project will give a better end result. To achieve the best results when working with different materials, set the variable speed control to suit the job. To select the right speed for the accessory in use, practice with scrap material first.

The 3000 multitool switch settings are marked on the speed control switch. Refer to the Speed Settings chart on pages 4-7 to help determine the proper speed for the material being worked on and the accessory to use.

Most jobs can be accomplished using the tool at the highest setting. However, certain materials (some plastics and metals) can be damaged by high-speed generated heat and should be worked on at relatively low speeds. Low speed operation (15000 RPM or less) is usually best for polishing operations employing the felt polishing accessories. All brushing applications require lower speeds to avoid wire discharge from the holder. Let the performance of the tool do the work for you when using lower speed settings. Higher speeds are better for hardwoods, metals and glass and for drilling, carving, cutting, routing, shaping and cutting dadoes or rabbets in wood. The settings for approximate RPM's are:

The Settings for Approximate Revolutions Per Minute on Rotary Tool Variable Speed Model 3000.

Switch Setting	Speed Range
1-2	10000-14000 RPM
3-4	15000-19000 RPM
5-6	20000-23000 RPM
7-8	24000-28000 RPM
9-10	29000-33000 RPM

Some guidelines regarding tool speed:

- Plastic and other materials that melt at low temperatures should be cut at low speeds.
- Polishing, buffing and cleaning with a wire brush must be done only at switch setting 1 to prevent damage to the brush and your material.
- Wood should be cut at high speed.
- Iron or steel should be cut at high speed.
- If a high speed steel cutter starts to vibrate, it usually indicates that it is running too slow.
- Aluminium, copper alloys, lead alloys, zinc alloys and tin may be cut at various speeds, depending on the type of cutting being done. Use a paraffin (not water) or other suitable lubricant on the cutter to prevent the cut material from adhering to the cutter teeth.

NOTE: Increasing pressure on the tool is not the answer when it is not performing properly. Try a different accessory or speed setting to achieve the desired result.

MAINTENANCE

Preventative maintenance performed by unauthorized personnel may result in misplacing of internal wires and components which could cause serious hazard. We recommend that all tool service be performed by a Dremel Service Facility. To avoid injury from unexpected starting or electrical shock, always remove plug from wall outlet before performing service or cleaning.

CARBON BRUSHES

The brushes in your tool have been engineered for many hours of dependable service. To prepare the brushes for use, run the tool at full speed for 5 minutes under no load. This will properly "seat" the brushes, and extend the life of the tool. To maintain peak efficiency of the motor, examine the brushes for wear every 40-50 hours.

Using the tool with worn brushes will permanently damage the motor. Use only original Dremel replacement brushes. Inspect the multitool brushes after 40-50 hours of use. If the multitool runs erratically, loses power, or makes unusual noises check the brushes for wear and possible replacement. Follow these steps to check/change the multitool brushes:

1. With the power cord unplugged, place the tool on a clean surface. Use the tool wrench as a screwdriver to remove the brush caps. PICTURE 8
2. Remove the brushes from the tool by pulling on the spring that is attached to the carbon brush. If the brush is less than 3mm long and the surface of the brush that touches the

commutator is rough or pitted, the carbon brushes should be replaced. Be sure to check both brushes. PICTURE 9

3. If one brush is worn, you should replace both brushes for better performance of your multitool. Remove the spring from the brush, throw away the old brush and place the spring on a new brush.
4. Place the carbon brush and spring back into the tool, there is only one way the brush will fit back into the tool.
5. Replace the brush caps onto the tool by turning the cap in a clockwise direction. To tighten, use the wrench, but DO NOT OVER TIGHTEN! After replacing the brushes the tool should be run at no load; place it on a clean surface and run it freely at full speed for 5 minutes before loading (or using) the tool. This will allow the brushes to "seat" properly and will give you more hours of life from each set of brushes. This will also extend the life of your tool since the commutator surface will also wear better and longer.

CLEANING THE TOOL

DISCONNECT THE PLUG BEFORE CLEANING

Ventilation openings and switch levers must be kept clean and free of foreign matter. Do not attempt to clean by inserting pointed objects through openings.

The tool may be cleaned with compressed air. Always wear safety goggles when cleaning tool with compressed air.

There is no need to lubricate the Dremel multitool.

Certain cleaning agents and solvents will damage plastic parts.

Some of these are: gasoline, carbon tetrachloride, chlorinated cleaning solvents, ammonia and household detergents that contain ammonia.

Clean the "soft grip" areas of the tool using a damp cloth. Tougher soiled areas may require more than one wipe application to get clean.

SERVICE AND WARRANTY

This DREMEL product is guaranteed in accordance with statutory/country-specific regulations; damage due to normal wear and tear, overload or improper handling will be excluded from the guarantee.

In case of a complaint, send the tool undismantled together with proof of purchase to your dealer.

CONTACT DREMEL

For more information on the Dremel assortment, support and hotline, go to www.dremel.com

Dremel Europe, P.O. Box 3267, 4800 DG Breda, The Netherlands

ÜBERSETZUNG DER ORIGINALBEDIENUNGSANLEITUNG

VERWENDETE SYMBOLE



LESEN SIE DIESE ANWEISUNGEN



TRAGEN SIE GEHÖRSCHUTZ



TRAGEN SIE AUGENSCHUTZ



TRAGEN SIE EINE STAUBMASKE

ALLGEMEINE WARNHINWEISE FÜR ELEKTROWERKZEUGE



⚠️ WARNUNG LESEN SIE ALLE WARNHINWEISE UND ALLE ANWEISUNGEN.

Nichtbeachtung der Hinweise und Anweisungen kann zu elektrischem Schlag, Bränden und schweren Verletzungen führen.

Bewahren Sie alle Warnungen und Anweisungen für die Zukunft auf.

Die Bezeichnung Elektrowerkzeug in den Warnhinweisen bezieht sich sowohl auf Werkzeuge, die mit Netzspannung betrieben werden (Werkzeuge mit Netzkabel), als auch auf akkubetriebene Werkzeuge (Werkzeuge ohne Netzkabel).

SICHERHEIT AM ARBEITSPLATZ

- Halten Sie Ihren Arbeitsbereich sauber und aufgeräumt.**
Unordnung und unbeleuchtete Arbeitsbereiche können zu Unfällen führen.
- Arbeiten Sie mit dem Gerät nicht in explosionsgefährdeter Umgebung, in der sich brennbare Flüssigkeiten, Gase oder Stäube befinden.**
Elektrowerkzeuge erzeugen Funken, die den Staub oder die Dämpfe entzünden können.
- Halten Sie Kinder und andere Personen während der Benutzung des Elektrowerkzeugs fern.**
Bei Ablenkung können Sie die Kontrolle über das Gerät verlieren.

ELEKTRISCHE SICHERHEIT

- Der Anschlussstecker des Gerätes muss in die Steckdose passen. Der Stecker darf in keiner Weise verändert werden.**
Verwenden Sie keine Adapterstecker gemeinsam mit schutzgeerdeten Geräten. Unveränderte Stecker und passende Steckdosen verringern das Risiko eines elektrischen Schlages.
- Vermeiden Sie Körperkontakt mit geerdeten Oberflächen wie Rohren, Heizungen, Herden und Kühlschränken. Es**

besteht ein erhöhtes Risiko durch elektrischen Schlag, wenn Ihr Körper geerdet ist.

- Halten Sie das Gerät von Regen und Nässe fern.**
Das Eindringen von Wasser in ein Elektrogerät erhöht das Risiko eines elektrischen Schlages.
- Nutzen Sie das Netzkabel ausschließlich für seinen bestimmungsgemäßen Zweck.**
Verwenden Sie das Netzkabel nicht, um das Elektrowerkzeug zu tragen oder zu ziehen. Ziehen Sie den Netzstecker nicht am Kabel aus der Steckdose. Halten Sie das Kabel fern von Hitze, Öl, scharfen Kanten und sich bewegenden Geräteteilen. Beschädigte oder verwickelte Kabel erhöhen das Risiko eines elektrischen Schlages.
- Wenn Sie mit einem Elektrowerkzeug im Freien arbeiten, verwenden Sie nur Verlängerungskabel, die auch für den Außenbereich zugelassen sind.**
Die Anwendung eines für den Außenbereich geeigneten Verlängerungskabels verringert das Risiko eines elektrischen Schlages.
- Falls sich der Einsatz eines Elektrowerkzeugs in einer feuchten Umgebung nicht vermeiden lässt, verwenden Sie einen FI-Schutzschalter.**
Die Verwendung eines FI-Schutzschalters verringert das Risiko eines elektrischen Schlages.

SICHERHEIT VON PERSONEN

- Seien Sie aufmerksam, achten Sie darauf, was Sie tun, und gehen Sie mit Vernunft an die Arbeit mit einem Elektrowerkzeug. Benutzen Sie das Gerät nicht, wenn Sie müde sind oder unter dem Einfluss von Drogen, Alkohol oder Medikamenten stehen.**
Ein Moment der Unachtsamkeit beim Gebrauch des Gerätes kann zu ernsthaften Verletzungen führen.
- Tragen Sie persönliche Schutzausrüstung. Tragen Sie stets Augenschutz.**
Das Tragen persönlicher Schutzausrüstung, wie Staubmaske, rutschfeste Sicherheitsschuhe, Schutzhelm oder Gehörschutz, je nach Art und Einsatz des Elektrowerkzeuges, verringert das Risiko von Verletzungen.
- Beugen Sie unbeabsichtigtem Einschalten des Geräts vor.**
Vergewissern Sie sich, dass der Netzschalter ausgeschaltet ist, bevor Sie das Gerät an die Stromquelle oder den Akku anschließen, das Gerät in die Hand nehmen oder transportieren. Wenn Sie beim Tragen des Gerätes den Finger am Schalter haben oder das Gerät eingeschaltet an die Stromversorgung anschließen, kann dies zu Unfällen führen.
- Entfernen Sie Einstellwerkzeuge oder Schraubenschlüssel, bevor Sie das Gerät einschalten.**
Ein Werkzeug oder Schlüssel, der sich in einem drehenden Geräteteil befindet, kann zu Verletzungen führen.
- Überschätzen Sie sich nicht. Sorgen Sie für einen sicheren Stand und halten Sie jederzeit das Gleichgewicht.**
Dadurch können Sie das Gerät in unerwarteten Situationen besser kontrollieren.
- Tragen Sie geeignete Kleidung. Tragen Sie keine weite Kleidung oder Schmuck. Halten Sie Haare, Kleidung und Handschuhe fern von sich bewegenden Teilen.**
Lockere Kleidung, Schmuck oder lange Haare können von sich bewegenden Teilen erfasst werden.

- g. Wenn Staubabsaug- und -auffangeinrichtungen montiert werden können, vergewissern Sie sich, dass diese angeschlossen sind und richtig verwendet werden. Das Verwenden dieser Einrichtungen verringert die Gefährdungen durch Staub.

SORGFÄLTIGER UMGANG MIT UND GEBRAUCH VON ELEKTROWERKZEUGEN

- a. Überlasten Sie das Gerät nicht. Verwenden Sie für Ihre Arbeit das dafür bestimmte Elektrowerkzeug. Im dafür jeweils vorgesehenen Leistungsbereich arbeiten Sie mit dem passenden Elektrowerkzeug besser und sicherer.
- b. Benutzen Sie kein Elektrowerkzeug, dessen Schalter defekt ist. Ein Elektrowerkzeug, das sich nicht mehr ein- oder ausschalten lässt, ist gefährlich und muss repariert werden.
- c. Trennen Sie Elektrowerkzeuge von der Stromversorgung bzw. dem Akku, bevor Sie Einstellungen vornehmen, Zubehör wechseln oder die Geräte lagern. Diese Vorsichtsmaßnahme verhindert den unbeabsichtigten Start des Gerätes.
- d. Bewahren Sie unbenutzte Elektrowerkzeuge außerhalb der Reichweite von Kindern auf. Lassen Sie Personen das Gerät nicht benutzen, die mit diesem nicht vertraut sind oder diese Anweisungen nicht gelesen haben. Elektrowerkzeuge sind gefährlich, wenn sie von unerfahrenen Personen benutzt werden.
- e. Pflegen Sie das Gerät mit Sorgfalt. Kontrollieren Sie, ob bewegliche Geräteteile einwandfrei funktionieren und nicht klemmen, ob Teile gebrochen oder so beschädigt sind, dass die Funktion des Gerätes beeinträchtigt ist. Lassen Sie beschädigte Teile vor dem Einsatz des Gerätes reparieren. Viele Unfälle haben ihre Ursache in schlecht gewarteten Elektrowerkzeugen.
- f. Halten Sie Schneidwerkzeuge scharf und sauber. Sorgfältig gepflegte Schneidwerkzeuge mit scharfen Schneidkanten verkleben sich weniger und sind leichter zu führen.
- g. Verwenden Sie Elektrowerkzeug, Zubehör, Einsatzwerkzeuge usw. entsprechend diesen Anweisungen. Berücksichtigen Sie dabei die Arbeitsbedingungen und die auszuführende Tätigkeit. Der Gebrauch von Elektrowerkzeugen für andere als die vorgesehenen Anwendungen kann zu gefährlichen Situationen führen.

REPARATUREN

- a. Lassen Sie Ihr Gerät nur von qualifiziertem Fachpersonal und nur mit Original-Ersatzteilen reparieren. Damit wird sichergestellt, dass die Sicherheit des Gerätes gewährleistet bleibt.

GEMEINSAME WARNHINWEISE ZUM SCHLEIFEN, SANDPAPIERSCHLEIFEN, DRAHTBÜRSTEN, POLIEREN UND TRENNSCHLEIFEN

- a. Dieses Elektrowerkzeug kann als Schleifer, Sandpapierschleifer, Drahtbürste, Polierer und Trennschleifmaschine verwendet werden. Beachten Sie alle Warnhinweise, Anweisungen, Abbildungen und Daten, die Sie mit dem Werkzeug erhalten. Wenn Sie die folgenden Anweisungen nicht beachten, kann es zu elektrischem Schlag, Feuer und/oder schweren Verletzungen kommen.
- b. Verwenden Sie kein Zubehör, das nicht vom Hersteller speziell für dieses Elektrowerkzeug vorgesehen und empfohlen wurde. Die Tatsache, dass sich ein Einsatzwerkzeug auf Ihrem Elektrowerkzeug montieren lässt, garantiert noch keine sichere Verwendung.
- c. Die zulässige Drehzahl des Zubehörs muss mindestens so hoch sein wie die auf dem Elektrowerkzeug angegebene Höchstdrehzahl. Zubehör, das sich schneller als zulässig dreht, kann zerstört werden.
- d. Außendurchmesser und Dicke des Einsatzwerkzeugs müssen den Maßen Ihres Elektrowerkzeugs entsprechen. Falsch bemessenes Zubehör kann nicht ausreichend abgesichert oder kontrolliert werden.
- e. Schleifscheiben, Flansche, Schleifteller oder anderes Zubehör müssen genau auf die Schleifspindel Ihres Elektrowerkzeugs passen. Zubehör, das nicht genau auf die Schleifspindel des Elektrowerkzeugs passt, dreht sich ungleichmäßig, vibriert sehr stark und kann zum Verlust der Kontrolle führen.
- f. Verwenden Sie kein beschädigtes Zubehör. Kontrollieren Sie vor jeder Verwendung Zubehör wie Schleifscheiben auf Absplittungen und Risse, Schleifteller auf Risse, Verschleiß oder starke Abnutzung, Drahtbürsten auf lose oder gebrochene Drähte. Wenn das Elektrowerkzeug oder das Zubehör herunterfällt, überprüfen Sie, ob es beschädigt ist, oder verwenden Sie ein unbeschädigtes Zubehör. Wenn Sie ein Einsatzwerkzeug kontrolliert und montiert haben, halten Sie sich selbst sowie in der Nähe befindliche Personen aus der Ebene des rotierenden Einsatzwerkzeugs fern und lassen Sie das Elektrowerkzeug eine Minute lang mit Höchstdrehzahl ohne Last laufen. Beschädigtes Zubehör bricht meist innerhalb dieser Testzeit.
- g. Tragen Sie persönliche Schutzausrüstung. Verwenden Sie je nach Anwendung Vollgesichtsschutz, Augenschutz oder Schutzbrille. Soweit angemessen, tragen Sie eine Staubmaske, Gehörschutz, Schutzhandschuhe und eine Spezialschürze, die kleine Schleif- und Materialpartikel von Ihnen fernhält. Die Augen müssen vor herumfliegenden Fremdkörpern geschützt werden, die bei verschiedenen Anwendungen entstehen. Staub- und Atemschutzmasken müssen den bei der Anwendung entstehenden Staub filtern.

Wenn Sie lange lautem Lärm ausgesetzt sind, können Sie einen Hörverlust erleiden.

- h. Achten Sie bei anderen Personen auf sicheren Abstand zu Ihrem Arbeitsbereich. Jeder, der den Arbeitsbereich betritt, muss persönliche Schutzausrüstung tragen. Bruchstücke des Werkstücks oder gebrochenes Zubehör können wegfiegen und Verletzungen auch außerhalb des direkten Arbeitsbereichs verursachen.**
- i. Fassen Sie das Elektrowerkzeug nur an isolierten Griffflächen an, wenn Sie Arbeiten ausführen, bei denen das Einsatzwerkzeug verborgene Stromleitungen oder das eigene Netzkabel treffen könnte. Kontakt mit einem spannungsführenden Leiter setzt auch ungeschützte Metallteile des Elektrowerkzeuges unter Spannung, so dass die Bedienperson einen elektrischen Schlag erleidet.**
- j. Verwenden Sie Schraubklemmen oder eine andere geeignete Spannvorrichtung zum Fixieren und Halten des Werkstücks an einer stabilen Arbeitsfläche. Das Halten des Werkstücks mit der Hand oder gegen den Körper bietet keine ausreichende Stabilität und kann zum Verlust der Kontrolle führen.**
- k. Halten Sie das Netzkabel von sich drehenden Einsatzwerkzeugen fern. Wenn Sie die Kontrolle über das Werkzeug verlieren, kann das Netzkabel durchtrennt oder erfasst werden und Ihre Hand oder Ihr Arm in das sich drehende Zubehör geraten.**
- l. Legen Sie das Elektrowerkzeug niemals ab, bevor das Zubehör völlig zum Stillstand gekommen ist. Das sich drehende Zubehör kann in Kontakt mit der Ablagefläche geraten, wodurch Sie die Kontrolle über das Elektrowerkzeug verlieren können.**
- m. Lassen Sie das Elektrowerkzeug nicht laufen, während Sie es tragen. Ihre Kleidung kann durch zufälligen Kontakt mit dem sich drehenden Zubehör erfasst werden, und das Zubehör sich in Ihren Körper bohren.**
- n. Reinigen Sie regelmäßig die Lüftungsschlitze Ihres Elektrowerkzeugs. Das Motorgebläse zieht Staub in das Gehäuse und eine starke Ansammlung von Metallstaub kann elektrische Gefahren verursachen.**
- o. Verwenden Sie das Elektrowerkzeug nicht in der Nähe brennbarer Materialien. Funken können diese Materialien entzünden.**
- p. Verwenden Sie keine Einsatzwerkzeuge, die flüssige Kühlmittel erfordern. Die Verwendung von Wasser oder anderen flüssigen Kühlmitteln kann zu elektrischem Schlag führen.**
- q. Bearbeiten Sie kein asbesthaltiges Material (Asbest gilt als krebserregend).**
- r. Treffen Sie Schutzvorkehrungen, wenn beim Arbeiten gesundheitsschädliche, brennbare oder explosive Stäube entstehen können (manche Stäube gelten als krebserregend); tragen Sie eine Staubschutzmaske und verwenden Sie eine Staub-/Späneabsaugung, falls anschließbar.**

RÜCKSCHLAG UND ENTSPRECHENDE WARNHINWEISE

Rückschlag ist die plötzliche Reaktion infolge eines hakenden oder blockierten drehenden Zubehörs, wie Schleifscheibe,

Schleifteller, Drahtbürste usw. Verhaken oder Blockieren führt zu einem abrupten Stopp des rotierenden Zubehörs. Dadurch wird ein unkontrolliertes Elektrowerkzeug gegen die Drehrichtung des Zubehörs an der Blockierstelle beschleunigt. Wenn zum Beispiel eine Schleifscheibe im Werkstück hakt oder blockiert, kann sich die in das Werkstück eintauchende Kante der Schleifscheibe verfangen, wodurch es zum Ausbrechen oder Rückschlag der Schleifscheibe kommen kann. Die Schleifscheibe bewegt sich dann auf die Bedienperson zu oder von ihr weg, je nach Drehrichtung der Scheibe an der Blockierstelle. Hierbei können Schleifscheiben auch brechen. Ein Rückschlag ist die Folge eines falschen oder fehlerhaften Gebrauchs des Elektrowerkzeugs. Er kann durch geeignete Vorsichtsmaßnahmen, wie nachfolgend beschrieben, verhindert werden.

- a. Halten Sie das Elektrowerkzeug gut fest und bringen Sie Ihren Körper und Ihre Arme in eine Position, in der Sie die Rückschlagkräfte abfangen können. Verwenden Sie immer den Zusatzgriff, falls vorhanden, um die größtmögliche Kontrolle über Rückschlagkräfte oder Reaktionsmomente beim Hochlauf zu haben. Die Bedienperson kann durch geeignete Vorsichtsmaßnahmen die Rückschlag- und Reaktionskräfte beherrschen.**
- b. Bringen Sie Ihre Hand nie in die Nähe des sich drehenden Zubehörs. Das Zubehör kann sich beim Rückschlag über Ihre Hand bewegen.**
- c. Meiden Sie mit Ihrem Körper den Bereich, in den das Elektrowerkzeug bei einem Rückschlag bewegt wird. Der Rückschlag treibt das Elektrowerkzeug in die Richtung entgegengesetzt zur Bewegung der Schleifscheibe an der Blockierstelle.**
- d. Arbeiten Sie besonders vorsichtig im Bereich von Ecken, scharfen Kanten usw. Verhindern Sie, dass Zubehör vom Werkstück zurückprallt und verklemt. Das rotierende Zubehör neigt bei Ecken, scharfen Kanten oder wenn es abprallt, dazu, sich zu verklemmen. Dies verursacht einen Kontrollverlust oder Rückschlag.**
- e. Verwenden Sie kein Ketten- oder gezähntes Sägeblatt. Solches Zubehör verursacht häufig einen Rückschlag oder den Verlust der Kontrolle über das Elektrowerkzeug.**

BESONDERE WARNHINWEISE ZUM SCHLEIFEN UND TRENNSCHEIFEN

- a. Verwenden Sie ausschließlich die für Ihr Elektrowerkzeug zugelassenen Schleifkörper und die für diese Schleifkörper vorgesehene Schutzhaube. Schleifkörper, die nicht für das Elektrowerkzeug vorgesehen sind, können nicht ausreichend abgeschirmt werden und sind unsicher.**
- b. Schleifkörper dürfen nur für die empfohlenen Einsatzmöglichkeiten verwendet werden. Schleifen Sie zum Beispiel nie mit der Seitenfläche einer Trennscheibe. Trennscheiben sind zum Materialabtrag mit der Kante der Scheibe bestimmt. Seitliche Kräfteinwirkung auf die Schleifkörper kann diese zerbrechen.**
- c. Verwenden Sie immer unbeschädigte Spannflansche in der richtigen Größe und Form für die von Ihnen gewählte Schleifscheibe. Geeignete Flansche stützen die Schleifscheibe und verringern so die Gefahr eines Schleifscheibenbruchs. Flansche für Trennscheiben können sich von den Flanschen für Schleifscheiben unterscheiden.**

- d. **Verwenden Sie keine abgenutzten Schleifscheiben von größeren Elektrowerkzeugen.** Schleifscheiben für größere Elektrowerkzeuge sind nicht für die höheren Drehzahlen von kleineren Elektrowerkzeugen ausgelegt und können brechen.

sich mitdrehende Befestigungsschnüren können Ihre Finger erfassen oder sich im Werkstück verfangen.

WEITERE BESONDERE WARNHINWEISE ZUM TRENNSCHEIFEN

- a. **Vermeiden Sie ein Blockieren der Trennscheibe und zu hohen Anpressdruck.** Führen Sie keine übermäßig tiefen Schnitte aus. Eine Überlastung der Trennscheibe erhöht deren Beanspruchung und die Anfälligkeit zum Verkanten oder Blockieren und damit die Möglichkeit eines Rückschlags oder Schleifkörperbruchs.
- b. **Meiden Sie den Bereich vor und hinter der rotierenden Trennscheibe.** Wenn Sie die Trennscheibe im Werkstück von sich weg bewegen, kann im Falle eines Rückschlags das Elektrowerkzeug mit der sich drehenden Scheibe direkt auf Sie zu geschleudert werden.
- c. **Falls die Trennscheibe verklemt oder Sie die Arbeit unterbrechen, schalten Sie das Elektrowerkzeug aus und halten Sie es ruhig, bis die Scheibe zum Stillstand gekommen ist.** Versuchen Sie nie, die noch laufende Trennscheibe aus dem Schnitt zu ziehen, da es dabei zu einem Rückschlag kommen kann. Ermitteln und beheben Sie die Ursache für das Verklemmen.
- d. **Schalten Sie das Elektrowerkzeug nicht wieder ein, solange es sich im Werkstück befindet.** Lassen Sie die Trennscheibe erst ihre volle Drehzahl erreichen, bevor Sie den Schnitt vorsichtig fortsetzen. Anderenfalls kann die Scheibe verhaken, aus dem Werkstück springen oder einen Rückschlag verursachen.
- e. **Stützen Sie Platten oder große Werkstücke ab, um das Risiko eines Rückschlags durch eine eingeklemmte Trennscheibe zu vermindern.** Große Werkstücke können sich unter ihrem eigenen Gewicht durchbiegen. Solche Werkstücke müssen abgestützt werden, und zwar sowohl an den Kanten als auch auf beiden Seiten der Trennlinie.
- f. **Seien Sie besonders vorsichtig bei „Taschenschnitten“ in bestehende Wände oder andere nicht einsehbare Bereiche.** Die eintauchende Trennscheibe kann beim Schneiden in Gas- oder Wasserleitungen, elektrische Leitungen oder andere Objekte einen Rückschlag verursachen.

BESONDERE WARNHINWEISE ZUM SANDPAPIERSCHLEIFEN

- a. **Benutzen Sie keine überdimensionierten Schleifblätter.** Orientieren Sie sich bei der Auswahl des Sandpapiers an den Herstellerempfehlungen. Schleifblätter, die über den Schleifteller hinausragen, können Verletzungen verursachen sowie zum Blockieren oder Zerreißen der Schleifblätter und zum Rückschlag führen.

BESONDERE WARNHINWEISE ZUM POLIEREN

- a. **Achten Sie darauf, dass keine losen Teile der Polierhaube und keine Befestigungsschnüren frei drehen.** Klemmen Sie die Befestigungsschnüren ein oder kürzen Sie sie. Lose,

BESONDERE WARNHINWEISE ZUM DRAHTBÜRSTEN

- a. **Beachten Sie, dass die Drahtbürste auch während des üblichen Gebrauchs Drahtstücke verliert.** Überlasten Sie die Drähte nicht durch zu hohen Anpressdruck. Wegfliegende Drahtstücke können sehr leicht durch dünne Kleidung und die Haut dringen.
- b. **Achten Sie beim Einsatz einer Schutzhaube darauf, dass sich Schutzhaube und Drahtbürste nicht berühren.** Drahtbürsten können durch Anpressdruck und Zentrifugalkräfte ihren Durchmesser vergrößern.

MASCHINENSPEZIFISCHE WARNHINWEISE

- a. **Verwenden Sie das Elektrowerkzeug nur für den Trockenschliff.** Das Eindringen von Wasser in ein Elektrowerkzeug erhöht das Risiko eines elektrischen Schlages.
- b. **Halten Sie die Hände vom Sägebereich fern.** Greifen Sie nicht unter das Werkstück. Bei Kontakt mit dem Sägeblatt besteht Verletzungsgefahr.
- c. **Verwenden Sie geeignete Suchgeräte, um verborgene Versorgungsleitungen aufzuspüren, oder halten Sie Rücksprache mit den zuständigen Versorgungsunternehmen.** Kontakt mit Elektroleitungen kann zu Feuer und elektrischem Schlag führen. Die Beschädigung einer Gasleitung kann zur Explosion führen. Das Eindringen in eine Wasserleitung verursacht Sachbeschädigung und kann einen elektrischen Schlag verursachen.
- d. **Halten Sie das Elektrowerkzeug beim Arbeiten fest mit beiden Händen und sorgen Sie für einen sicheren Stand.** Das Elektrowerkzeug wird mit zwei Händen sicherer geführt.
- e. **Sichern Sie das Werkstück.** Mit einer Spannvorrichtung oder einem Schraubstock wird Ihr Werkstück sicherer gehalten als mit Ihrer Hand.
- f. **Halten Sie Ihren Arbeitsplatz sauber.** Materialmischungen sind besonders gefährlich. Leichtmetallstaub kann brennen oder explodieren.
- g. **Tragen Sie beim Wechsel der Einsatzwerkzeuge Schutzhandschuhe.** Einsatzwerkzeuge werden bei längerem Gebrauch warm.
- h. **Behandeln Sie die zu bearbeitende Fläche nicht mit lösungsmittelhaltigen Flüssigkeiten.** Durch die Erwärmung der Werkstoffe beim Schaben können giftige Dämpfe entstehen.
- i. **Seien Sie beim Umgang mit dem Schaber besonders vorsichtig.** Das Werkzeug ist sehr scharf, es besteht Verletzungsgefahr.



WARNUNG
KREBSERREGEND).

BEARBEITEN SIE KEIN ASBESTHALTIGES MATERIAL (ASBEST GILT ALS



WARNUNG

TREFFEN SIE SCHUTZVORKEHRUNGEN,
WENN BEIM ARBEITEN

GESUNDHEITSSCHÄDLICHE, BRENNBARE ODER EXPLOSIVE
STÄUBE ENTSTEHEN KÖNNEN (MANCHE STÄUBE GELTEN ALS
KREBSERREGEND); TRAGEN SIE EINE STAUBSCHUTZMASKE
UND VERWENDEN SIE EINE STAUB-/SPÄNEABSAUGUNG,
FALLS ANSCHLIESSBAR.

UMWELTINFORMATIONEN

ENTSORGUNG

Elektrowerkzeuge, Zubehör und Verpackungen sollen einer
umweltgerechten Wiederverwertung zugeführt werden.


NUR FÜR EU-LÄNDER



Werfen Sie Elektrowerkzeuge nicht in den Hausmüll!
Gemäß der Europäischen Richtlinie 2002/96/EG
über Elektro- und Elektronik-Altgeräte und ihrer
Umsetzung in nationales Recht müssen nicht mehr
gebrauchsfähige Elektrowerkzeuge getrennt gesammelt
und einer umweltgerechten Wiederverwertung zugeführt
werden.

SPEZIFIKATIONEN

ALLGEMEINE SPEZIFIKATIONEN

Nennspannung	230 V, 50 Hz
Nennleistung	130 W
Zulässige Drehzahl	33000 U/min
Spanndurchmesser	0,8 mm, 1,6 mm, 2,4 mm, 3,2 mm
 Klasse-II-Ausführung	Doppelt isolierte Geräte

VERLÄNGERUNGSKABEL

Verwenden Sie nur vollständig abgewickelte und unbeschädigte
Verlängerungskabel mit einer Nennstromstärke von mindestens
5 A.

MOTORSPEZIFIKATIONEN

Dieses Multifunktionswerkzeug arbeitet mit einem
Hochgeschwindigkeitsmotor mit variabler Drehzahl. Es wurde für
den Betrieb mit 230 V, 50 Hz konzipiert. Vergewissern Sie sich
stets, dass die Versorgungsspannung den Angaben auf dem
Typenschild des Werkzeugs entspricht.

MONTAGE

ZIEHEN SIE DEN STECKER DES MULTIFUNKTIONSWERKZEUGS
IMMER AB, BEVOR SIE EINSAATWERKZEUGE ODER
SPANNZANGEN WECHSELN ODER REPARATUR- UND
WARTUNGSARBEITEN AM WERKZEUG DURCHFÜHREN.

ALLGEMEIN

Dieses Multifunktionswerkzeug von Dremel ist ein hochpräzises
Werkzeug für besonders feine und detaillierte Arbeiten. Das breite
Spektrum der Zubehörteile und Vorsatzgeräte von Dremel erlaubt
eine Vielzahl von Anwendungen. Dazu gehören unter anderem
Schleifen, Schnitzen, Gravieren, Fräsen, Schneiden/Trennen,
Reinigen/Säubern und Polieren.

ABBILDUNG 1

- A. Spannmutter
- B. Spannzange
- C. EZ Twist™-Schraubkappe mit integriertem Schlüssel
- D. Spindelarreterierungsknopf
- E. Ein-/Aus-Schalter
- F. Aufhängevorrichtung
- G. Netzkabel
- H. Lüftungsschlitze
- I. Bürstenabdeckung (beidseitig)
- J. Lüftungsschlitze

SPANNZANGEN

Einsatzwerkzeuge für das Multifunktionswerkzeug von
Dremel haben unterschiedliche Schaftdurchmesser. Für diese
unterschiedlichen Durchmesser stehen vier Spannzangen zur
Verfügung. Die Größe der Spannzange ist jeweils an den Ringen
auf der Rückseite der Spannzange erkennbar.

ABBILDUNG 2

- K. Spannzange 3,2 mm ohne Ring (480)
- L. Spannzange 2,4 mm mit drei Ringen (481)
- M. Spannzange 1,6 mm mit zwei Ringen (482)
- N. Spannzange 0,8 mm mit einem Ring (483)

*HINWEIS: Manche Multifunktionswerkzeugkits enthalten nicht
alle vier Spannzangen. Spannzangen sind separat als Zubehör
erhältlich.*

Verwenden Sie stets die für den Schaftdurchmesser des
Zubehörtcils passende Spannzange. Drücken Sie einen Schaft mit
einem größeren Durchmesser niemals gewaltsam in eine kleinere
Spannzange.

WECHSELN VON SPANNZANGEN

ABBILDUNG 3

- O. Spindelarreterierungsknopf
- P. Spannmutter
- Q. Lösen
- R. Anziehen
- S. Spannzangenschlüssel

1. Drücken Sie den Spindelarreterierungsknopf, halten Sie
ihn gedrückt und drehen Sie den Schaft von Hand, bis er
blockiert. Betätigen Sie den Spindelarreterierungsknopf nie bei
laufendem Werkzeug.
2. Lösen Sie bei gedrücktem Spindelarreterierungsknopf die
Spannmutter und nehmen Sie sie ab. Verwenden Sie ggf. den
Spannzangenschlüssel.

- Ziehen Sie die Spannange von der Spindel ab.
- Setzen Sie die Spannange der gewünschten Größe vollständig in die Spindel ein und ziehen Sie die Spannmutter leicht an. Ziehen Sie die Mutter nie vollständig fest, wenn kein Zubehörteil montiert ist.

WECHSELN VON EINSATZWERKZEUGEN

ABBILDUNG 3/5

- Drücken Sie den Spindelarretierungsknopf und drehen Sie den Schaft von Hand, bis er einrastet. Betätigen Sie den Spindelarretierungsknopf nie bei laufendem Werkzeug.
- Lösen Sie bei gedrücktem Spindelarretierungsknopf die Spannmutter, ohne sie abzunehmen. Verwenden Sie ggf. den Spannangenschlüssel.
- Schieben Sie den Schaft des Bits oder Einsatzwerkzeugs vollständig in die Spannange.
- Ziehen Sie die Spannmutter bei betätigtem Spindelarretierungsknopf mit der Hand an, bis die Spannange den Schaft des Einsatzwerkzeugs greift.
HINWEIS: Beachten Sie unbedingt auch die Bedienungs- und Sicherheitshinweise des jeweiligen Zubehörteils!

Verwenden Sie ausschließlich Dremel-geprüfte Hochleistungs-Zubehörkomponenten.

EZ TWIST™-SCHRAUBKAPPE MIT INTEGRIERTEM SCHLÜSSEL

ABBILDUNG 4/5

- T. EZ Twist™-Schraubkappe mit integriertem Schlüssel

Die Schraubkappe Ihres Werkzeugs hat einen integrierten Schlüssel, mit dem sich die Spannmutter ohne den normalen Spannangenschlüssel lösen und festziehen lässt.

- Schrauben Sie die Kappe vom Werkzeug ab und richten Sie den Stahleinsatz auf der Innenseite der Kappe an der Spannmutter aus.
- Halten Sie den Spindelarretierungsknopf gedrückt und drehen Sie die Kappe gegen den Uhrzeigersinn, um die Spannmutter zu lösen. Betätigen Sie den Spindelarretierungsknopf nie bei laufendem Werkzeug.
- Schieben Sie den Schaft des Bits oder Einsatzwerkzeugs vollständig in die Spannange.
- Halten Sie den Spindelarretierungsknopf gedrückt und drehen Sie die Kappe im Uhrzeigersinn, um die Spannmutter festzuziehen.
- Schrauben Sie die Kappe wieder zu.
HINWEIS: Beachten Sie unbedingt auch die Bedienungs- und Sicherheitshinweise zum jeweiligen Einsatzwerkzeug!

Verwenden Sie ausschließlich Dremel-geprüfte Hochleistungs-Zubehörkomponenten.

ERSTE SCHRITTE

VERWENDUNG

Als ersten Schritt für die Verwendung des Multifunktionswerkzeugs

sollten Sie ein Gefühl für das Werkzeug bekommen. Nehmen Sie das Werkzeug in die Hand und machen Sie sich mit seinem Gewicht und Schwerpunkt vertraut. Beachten Sie die Verjüngung des Gehäuses. Dank dieser Verjüngung kann das Werkzeug wie ein Füllfederhalter oder Bleistift gehalten werden. Der einzigartige Softgrip an der Spitze sorgt für zusätzlichen Bedienkomfort und bessere Kontrolle bei der Arbeit.

Halten Sie das Werkzeug stets von Ihrem Gesicht abgewandt.

Teile von beschädigtem Zubehör könnten sich beim Erreichen hoher Drehzahlen unter Umständen lösen.

Halten Sie das Werkzeug so, dass Sie die Lüftungsschlitze nicht mit der Hand abdecken. Durch Blockieren der Lüftungsschlitze könnte der Motor überhitzen.

WICHTIG! Üben Sie zunächst mit etwas Ausschussmaterial, um zu lernen, wie sich das Werkzeug bei hoher Drehzahl verhält. Denken Sie daran, dass Ihr Multifunktionswerkzeug die besten Ergebnisse liefert, wenn Sie die richtige Drehzahl sowie geeignete Einsatzwerkzeuge und Vorsatzgeräte verwenden. Arbeiten Sie ohne Druck. Wegen der hohen Rotationsgeschwindigkeit ist es ausreichend, das drehende Einsatzwerkzeug nur leicht über die Oberfläche des Werkstücks zu führen. Führen Sie das Werkzeug über die Oberfläche des Werkstücks und üben Sie dabei nur sehr leichten Druck aus. Überlassen Sie die Arbeit Ihrem Einsatzwerkzeug.

Normalerweise erzielen Sie bessere Ergebnisse, wenn Sie mit dem Werkzeug nicht in einem einzigen Arbeitsgang, sondern mehrmals über die Oberfläche fahren. Außerdem haben Sie bei drucklosem Arbeiten eine bessere Kontrolle und verringern das Fehlerrisiko.

Detailarbeiten können Sie am besten verrichten, wenn Sie das Multifunktionswerkzeug wie einen Stift zwischen Daumen und Zeigefinger halten. ABBILDUNG 6

Die „Golfgriff“-Methode wird bei schweren Arbeiten wie Schleifen oder Schneiden/Trennen angewendet. ABBILDUNG 7

BETRIEBSGESCHWINDIGKEIT

Dieses Werkzeug arbeitet mit hoher Geschwindigkeit. Die Drehzahl variiert von 10000 bis 33000 U/min. Mit guter Abstimmung der Drehzahlen lassen sich bessere Ergebnisse erzielen. Stellen Sie für beste Ergebnisse bei der Arbeit mit unterschiedlichen Materialien den Drehzahlregler passend zur Aufgabe ein. Zum Finden der geeigneten Drehzahl für das verwendete Einsatzwerkzeug üben Sie zunächst mit etwas Ausschussmaterial.

Der Drehzahlregler des Multifunktionswerkzeugs Dremel 3000 hat zehn Stufen. Empfohlene Drehzahleinstellungen für verschiedene Einsatzwerkzeuge und Materialien finden Sie in der Drehzahltable auf den Seiten 4-7.

Die meisten Aufgaben können mit der höchsten Drehzahleinstellung des Werkzeugs bearbeitet werden. Einige Materialien (bestimmte Kunststoffe und Metalle) können jedoch durch die bei hoher Drehzahl erzeugte Hitze beschädigt werden und sollten daher mit niedrigerer Drehzahl bearbeitet werden. Niedrige Drehzahlen (15000 U/min oder weniger) eignen sich normalerweise am Besten zum Polieren mit Filz-Polierzubehör. Bei allen Anwendungen mit Bürsten sind niedrigere Drehzahlen erforderlich, um ein Lösen der Drähte und Borsten aus der Halterung zu vermeiden. Auch bei niedrigen Drehzahlen sollten Sie ohne Druck arbeiten. Höhere Drehzahlen eignen sich

für Hartholz, Metall und Glas sowie zum Bohren, Schnitzen, Schneiden, Fräsen, Formen, Kehlen und Nuten in Holz. Die Schalterstellungen entsprechen in etwa folgenden Drehzahlen:

Drehzahlen des Multifunktionswerkzeugs Dremel 3000.

Schaltereinstellung	Drehzahlbereich
1–2	10000–14000 U/min
3–4	15000–19000 U/min
5–6	20000–23000 U/min
7–8	24000–28000 U/min
9–10	29000–33000 U/min

Einige die Drehzahl betreffende Hinweise:

- Kunststoffe und andere Werkstoffe mit niedrigem Schmelzpunkt sind mit niedrigen Drehzahlen zu bearbeiten.
- Das Polieren, Glanzschleifen und Reinigen mit einer Drahtbürste muss bei Schalterstellung 1 erfolgen, um einer Beschädigung der Bürste und des Materials vorzubeugen.
- Schneidarbeiten in Holz müssen mit hoher Drehzahl erfolgen.
- Schneidarbeiten in Eisen oder Stahl müssen mit hoher Drehzahl erfolgen.
- Wenn ein Hochgeschwindigkeits-Stahlfräser zu vibrieren beginnt, ist das meist ein Hinweis darauf, dass er zu langsam läuft.
- Aluminium, Kupfer-, Blei-, Zinklegierungen und Zinn können je nach Art der Arbeit mit unterschiedlichen Drehzahlen bearbeitet werden. Fetten Sie das Schneidwerkzeug mit Paraffin oder einem anderen geeigneten Schmiermittel (nicht Wasser) ein, um zu verhindern, dass sich Späne an den Schneidkanten des Werkzeugs festsetzen.

HINWEIS: Ein höherer Druck auf das Werkzeug wird das Ergebnis nicht verbessern. Verwenden Sie ein anderes Zubehörteil oder eine andere Drehzahleinstellung, um das gewünschte Ergebnis zu erzielen.

WARTUNG

Um Beschädigungen und/oder Risiken vorzubeugen, sollten Wartungs- und Reparaturarbeiten ausschließlich durch autorisierte Personen erfolgen. Wir empfehlen, Wartung und Reparatur von Dremel-Servicenederlassungen durchführen zu lassen. Auf jeden Fall ist aus Sicherheitsgründen vor Wartungs- und Reinigungsarbeiten immer der Netzstecker zu ziehen.

KOHLEBÜRSTEN

Die Bürsten in Ihrem Werkzeug wurden für hohe Standzeiten und lange Haltbarkeit entwickelt. Um die Lebensdauer weiter zu erhöhen, sollten Sie das Werkzeug vor Erstgebrauch ca. fünf Minuten im Leerlauf laufen lassen. Dadurch werden die Bürsten richtig eingeschliffen. Für eine anhaltend hohe Effizienz des Motors sollten Sie die Bürsten alle 40–50 Betriebsstunden überprüfen.

Bei Verwendung des Werkzeugs mit abgenutzten Bürsten wird der Motor auf Dauer beschädigt. Verwenden Sie nur Original-Ersatzbürsten von Dremel. Überprüfen Sie die Bürsten des Multifunktionswerkzeugs alle 40–50 Betriebsstunden. Wenn das Multifunktionswerkzeug fehlerhaft arbeitet, Leistung verliert oder ungewöhnliche Geräusche von sich gibt, überprüfen Sie die

Bürsten auf Abnutzung und tauschen Sie sie gegebenenfalls aus. Gehen Sie zur Prüfung bzw. zum Austausch der Bürsten wie folgt vor:

1. Ziehen Sie den Netzstecker und legen Sie das Werkzeug auf einer sauberen Arbeitsfläche ab. Verwenden Sie den Spannzangenschlüssel als Schraubendreher zum Abnehmen der Bürstenkappen. **ABBILDUNG 8**
2. Nehmen Sie die Bürsten aus dem Werkzeug, indem Sie an der Feder ziehen. Ist die Bürste weniger als 3 mm lang oder an der Kontaktstelle rau oder uneben, muss sie ausgetauscht werden. Bürsten immer paarweise austauschen. **ABBILDUNG 9**
3. Bürsten müssen immer paarweise getauscht werden, auch wenn nur eine der beiden Bürsten abgenutzt ist. Nehmen Sie die abgenutzte Bürste aus der Feder heraus und ersetzen Sie sie durch eine neue.
4. Setzen Sie die neue Kohlebürste und Feder in das Werkzeug ein. Die Bürste passt nur in einer einzigen Ausrichtung in das Werkzeug.
5. Schrauben Sie die Bürstenkappen im Uhrzeigersinn wieder zu. Verwenden Sie hierzu den Spannzangenschlüssel, **ABER ZIEHEN SIE SIE NICHT ZU FEST AN!** Nach jedem Bürstenwechsel sollten Sie das Gerät fünf Minuten im Leerlauf laufen lassen, bevor Sie damit arbeiten. Dadurch werden die Bürsten richtig eingeschliffen und ihre Lebensdauer wird verlängert. Auch die Lebensdauer des Gesamtwerkzeugs wird erhöht, weil die Kontaktstellen gleichmäßiger abgenutzt werden und länger halten.

REINIGEN DES WERKZEUGS

ZIEHEN SIE VOR DEM REINIGEN STETS DEN NETZSTECKER

Lüftungsschlitze und Schalthebel müssen stets frei von Schmutz und Fremdkörpern sein. Führen Sie auch beim Reinigen keine spitzen Objekte durch Öffnungen.

Das Werkzeug kann mit Druckluft gereinigt werden. Tragen Sie beim Reinigen von Werkzeugen mit Druckluft stets eine Schutzbrille.

Das Multifunktionswerkzeug von Dremel muss nicht geschmirrt werden.

Bestimmte Reinigungs- und Lösungsmittel können Kunststoffteile angreifen. Beispiele für solche Mittel: Benzin, Kohlenstoff-Tetrachlorid, chlorhaltige Reinigungsmittel, Ammoniak und Haushaltsreiniger mit Ammoniak.

Wir empfehlen, die Softgrip-Flächen mit einem feuchten Tuch zu reinigen. Nachhaltig verschmutzte Bereiche müssen eventuell mehrmals abgewischt werden.

REPARATUR UND GEWÄHRLEISTUNG

Die Garantie für dieses DREMEL Produkts entspricht den länderspezifischen Vorschriften. Schäden durch normale Abnutzung und Verschleiß sowie Überlastung oder unsachgemäße Behandlung sind von der Garantie ausgeschlossen.

Im Falle einer Reklamation schicken Sie das Werkzeug im zusammengebauten Zustand mit einem entsprechenden Kaufnachweis an Ihren Händler.

Weitere Informationen zu unserem Sortiment, zum Support und zur Hotline von Dremel finden Sie unter www.dremel.com.

Dremel Europe, P.O. Box 3267, 4800 DG Breda, Niederlande

FR

TRADUCTION DE LA NOTICE ORIGINALE

SYMBOLES UTILISÉS



LISEZ CES CONSIGNES



UTILISEZ UN DISPOSITIF DE PROTECTION
ANTIBRUIT



UTILISEZ UN ÉQUIPEMENT DE PROTECTION
OCULAIRE



UTILISEZ UN MASQUE À POUSSIÈRE

AVERTISSEMENTS DE SÉCURITÉ GÉNÉRAUX CONCERNANT LES OUTILS ÉLECTROPORATIFS



ATTENTION VEUILLEZ LIRE L'ENSEMBLE
DES AVERTISSEMENTS DE

SÉCURITÉ, AINSI QUE L'ENSEMBLE DES CONSIGNES.

Le non-respect de ces avertissements et de ces consignes peut entraîner un choc électrique, un incendie et/ou des blessures corporelles graves.

Conservez ces avertissements et ces consignes à des fins de référence future.

Le terme « outil électroportatif » des avertissements se rapporte à votre outil électroportatif fonctionnant sur secteur (à cordon) ou sur batterie (sans cordon).

SÉCURITÉ DE LA ZONE DE TRAVAIL

- Faites en sorte que la zone de travail soit propre et bien éclairée. Un espace encombré et sombre est propice aux accidents.
- Ne faites pas fonctionner des outils électroportatifs dans les atmosphères explosives, notamment en présence de liquides, gaz ou poussières inflammables. Les outils électroportatifs produisent des étincelles susceptibles d'enflammer les poussières ou fumées.
- Tenez les enfants et spectateurs à distance pendant le fonctionnement d'un outil électroportatif. Toute distraction peut entraîner une perte de contrôle de l'outil.

- La fiche de l'outil électroportatif doit être appropriée à la prise de courant. Ne modifiez en aucune circonstance la fiche. N'employez pas d'adaptateur avec les outils électroportatifs mis à la terre. L'utilisation de fiches non modifiées et de prises appropriées réduira le risque de choc électrique.
- Évitez tout contact corporel avec des éléments reliés à la terre, tels que tuyauterie, radiateurs, cuisinières, réfrigérateurs. La mise à la terre du corps accroît le risque de choc électrique.
- Conservez les outils électroportatifs à l'abri de la pluie et de l'humidité. La pénétration d'eau dans un outil électroportatif accroît le risque de choc électrique.
- N'exercez aucune action dommageable sur le cordon d'alimentation. N'utilisez jamais le cordon d'alimentation pour transporter l'outil électroportatif, tirer sur celui-ci ou le débrancher. Éloignez le cordon d'alimentation de la chaleur, des huiles, des arêtes vives ou des pièces en mouvement. Les cordons endommagés ou emmêlés accroissent le risque de choc électrique.
- Lors de l'utilisation d'un outil électroportatif à l'extérieur, employez une rallonge appropriée. L'utilisation d'un cordon conçu pour l'extérieur réduit le risque de choc électrique.
- Si vous devez utiliser un outil électroportatif dans un endroit humide, utilisez une alimentation protégée par un disjoncteur avec mise à terre. L'utilisation d'un tel dispositif réduit le risque de choc électrique.

SECURITE PERSONNELLE

- Restez vigilant, soyez attentif à ce que vous faites et faites preuve de bon sens lorsque vous utilisez un outil électroportatif. Ne vous servez pas de ce type d'outil lorsque vous êtes fatigué ou sous l'emprise d'une drogue quelconque, de l'alcool ou d'un médicament. Un instant d'inattention risque, dans ce cas, d'entraîner des blessures corporelles graves.
- Portez des équipements de protection personnels. Portez toujours un équipement de protection oculaire. Les équipements de protection, tels que masque anti-poussière, chaussures de sécurité antidérapantes, casque ou protection auditive, employés dans les cas appropriés réduiront les blessures corporelles.
- Évitez tout démarrage accidentel. Vérifiez que l'interrupteur est en position d'arrêt avant de raccorder l'outil à une source d'alimentation et/ou un pack de batteries, de le prendre ou de le porter. Le fait de transporter les outils électroportatifs en ayant le doigt sur l'interrupteur ou de brancher des outils avec l'interrupteur sur la position Marche constitue une situation propice aux accidents.
- Retirez toute clé de réglage avant de mettre l'outil sous tension. Une clé laissée au contact d'un élément en rotation de l'outil électroportatif peut entraîner des blessures corporelles.
- Ne travaillez pas dans une position instable. Conservez à tout moment un bon appui et un bon équilibre du corps.

Vous serez ainsi plus en mesure de garder le contrôle de l'outil électroportatif dans les situations imprévues.

- f. **Portez une tenue appropriée. Ne portez pas de vêtements amples ni de bijoux. N'approchez jamais les cheveux, vêtements et gants de pièces en mouvement. Des vêtements amples, bijoux ou cheveux longs peuvent être happés par des pièces en mouvement.**
- g. **En présence de dispositifs d'aspiration et de collecte des poussières, vérifiez que ceux-ci sont branchés et correctement employés. L'utilisation de ces appareils peut réduire les risques liés à la poussière.**

PRECAUTIONS D'UTILISATION DE L'OUTIL ELECTROPORATIF

- a. **Ne forcez pas sur l'outil électroportatif. Employez l'outil correspondant à votre application. L'outil électroportatif approprié accomplira sa tâche plus efficacement et plus sûrement s'il est utilisé à la vitesse pour laquelle il a été conçu.**
- b. **N'utilisez pas l'outil électroportatif si l'interrupteur ne fonctionne pas correctement. Un outil dont l'interrupteur est défectueux est dangereux et doit être réparé.**
- c. **Débranchez la prise de la source d'alimentation et/ou le pack de batterie de l'outil électroportatif avant d'effectuer des réglages, changer d'accessoires ou ranger l'outil. Ces précautions réduisent le risque d'un démarrage accidentel de l'outil.**
- d. **Les outils électroportatifs doivent être rangés hors de portée des enfants et ne pas être utilisés par des personnes ne connaissant pas leur fonctionnement ou les présentes instructions. Entre les mains d'utilisateurs inexpérimentés, les outils électroportatifs sont dangereux.**
- e. **Entretenez les outils électroportatifs. Vérifiez la présence d'un défaut d'alignement ou grippage des pièces mobiles, de pièces cassées ou de toute autre condition pouvant altérer le fonctionnement des outils électroportatifs. Faites réparer un outil électroportatif endommagé avant de l'utiliser. Nombre d'accidents sont provoqués par des outils électroportatifs mal entretenus.**
- f. **Les outils de coupe doivent être affûtés et propres. S'ils sont bien entretenus, les outils avec des arêtes de coupe affûtées sont moins susceptibles d'accrocher et sont plus faciles à contrôler.**
- g. **Utilisez l'outil électroportatif, ses accessoires et embouts, etc. conformément aux présentes instructions, en particulier en tenant compte des conditions de travail et de la nature du travail à réaliser. L'utilisation de l'outil électroportatif pour d'autres applications que celles prévues présente un risque.**

REPARATION

- a. **Confiez la réparation de votre outil électroportatif à un réparateur qualifié qui utilise exclusivement des pièces de rechange identiques. Vous garantirez ainsi la fiabilité de l'outil électroportatif.**

CONSIGNES DE SECURITE POUR L'ENSEMBLE DES OPERATIONS

AVERTISSEMENTS DE SECURITE COMMUNS POUR LE MEULAGE, LE PONCAGE, LE BROSSAGE METALLIQUE, LE POLISSAGE OU LA DECOUPE A L'ABRASIF

- a. **Cet outil électroportatif est conçu pour une utilisation en tant que meuleuse, ponceuse, brosse métallique, polisseuse ou outil de découpe. Respectez tous les avertissements, instructions, représentations et données qui sont fournis avec l'outil électroportatif. Le fait de pouvoir monter les accessoires sur votre outil électroportatif ne garantit pas une utilisation en toute sécurité.**
- b. **N'utilisez pas d'accessoires qui ne sont pas spécialement prévus et recommandés par le fabricant pour cet outil électroportatif. Le fait de pouvoir monter des accessoires sur votre outil électroportatif ne garantit pas une utilisation en toute sécurité.**
- c. **La vitesse de rotation admissible de l'accessoire doit être au moins égale à la vitesse de rotation maximale de l'outil électroportatif. Les accessoires utilisés à une vitesse supérieure à leur vitesse de rotation nominale risquent de se détacher.**
- d. **Le diamètre extérieur et la largeur de l'accessoire doivent correspondre aux cotes de votre outil électroportatif. Les accessoires de mauvaises dimensions ne peuvent pas être protégés ni contrôlés de façon suffisante.**
- e. **Les meules, les brides, les plateaux de ponçage ou les autres accessoires doivent correspondre exactement à la broche de votre outil électroportatif. Les accessoires qui ne correspondent pas exactement à la broche de l'outil électroportatif tournent de façon irrégulière, ont de fortes vibrations et peuvent entraîner une perte de contrôle.**
- f. **N'utilisez pas d'accessoires endommagés. Avant chaque utilisation, contrôlez les accessoires tels que les meules pour détecter des éclats et des fissures, les plateaux de ponçage pour détecter des fissures, une certaine usure ou des signes de forte usure, les brosses métalliques pour détecter des fils détachés ou cassés. Au cas où l'outil électroportatif ou l'accessoire tomberait, contrôlez s'il est endommagé ou utilisez un accessoire intact. Après le contrôle et le remplacement de l'accessoire, vous et d'éventuelles personnes présentes devez vous placer à distance de la zone de l'accessoire en rotation et laisser tourner l'outil électroportatif à sa vitesse à vide maximale pendant une minute. Dans la plupart des cas, les accessoires endommagés cassent pendant ce temps d'essai.**
- g. **Portez des équipements de protection personnels. Selon l'utilisation, portez une protection complète pour le visage, une protection oculaire ou des lunettes de protection. Si nécessaire, portez un masque anti-poussière, des protections auditives, des gants et un tablier spécial qui vous protège des petits fragments d'abrasif ou de pièce à travailler. Protégez vos yeux de corps étrangers projetés dans l'air lors des différentes utilisations. Les masques anti-poussière ou les masques respiratoires doivent filtrer la poussière générée lors de**

l'utilisation. Une exposition trop longue au bruit fort peut entraîner une perte d'audition.

- h. **Gardez une distance de sécurité suffisante entre votre zone de travail et les personnes se trouvant à proximité. Toute personne entrant dans la zone de travail doit porter un équipement de protection individuel. Des fragments de pièces ou d'accessoires cassés peuvent être projetés et causer des blessures même en dehors de la zone directe de travail.**
- i. **Tenez l'outil par les parties isolées prévues à cet effet lorsque vous effectuez une opération, où l'accessoire de coupe risque d'entrer en contact avec un câble caché ou le câble d'alimentation de l'outil lui-même. Le contact de l'accessoire de coupe avec un fil sous tension risque de mettre également sous tension les parties métalliques de l'outil et de soumettre l'utilisateur à un choc électrique.**
- j. **Utilisez des serre-joints ou tout autre moyen pratique permettant de fixer et de soutenir la pièce à travailler sur une plate-forme stable. Le maintien de la pièce à la main ou contre le corps entraîne son instabilité et peut entraîner une perte de contrôle.**
- k. **Gardez le câble de secteur à distance des accessoires en rotation. Si vous perdez le contrôle de l'outil, le câble de secteur peut être sectionné ou happé et votre main ou votre bras risquent d'être happés par l'accessoire en rotation.**
- l. **Déposez l'outil électroportatif seulement après l'arrêt total de l'accessoire. L'accessoire en rotation peut toucher la surface sur laquelle l'outil est posé, ce qui risque de vous faire perdre le contrôle de l'outil électroportatif.**
- m. **Ne laissez pas tourner l'outil électroportatif pendant que vous le portez. Suite à un contact involontaire, vos vêtements peuvent être happés par l'accessoire en rotation, et l'accessoire peut rentrer dans votre corps.**
- n. **Nettoyez régulièrement les ouïes de ventilation de votre outil électroportatif. La ventilation du moteur aspire de la poussière dans le carter, et de la poussière de métal en trop grande quantité peut causer des dangers électriques.**
- o. **N'utilisez pas l'outil électroportatif lorsqu'il y a des matériaux inflammables à proximité. Les étincelles risquent d'enflammer ces matériaux.**
- p. **N'utilisez pas d'accessoires qui nécessitent des liquides de refroidissement. L'utilisation d'eau ou d'autres liquides de refroidissement peut entraîner un choc électrique.**
- q. **Ne travaillez pas sur des matériaux contenant de l'amiante (l'amiante est considérée comme étant cancérigène).**
- r. **Prenez des mesures de sécurité lorsque des poussières nuisibles à la santé, inflammables ou explosives peuvent être générées lors du travail (certaines poussières sont considérées comme étant cancérigènes); portez un masque anti-poussières et utilisez un dispositif d'aspiration de poussières/de copeaux s'il est possible de raccorder un tel dispositif.**

CONTRECOURS ET AVERTISSEMENTS ASSOCIÉS

Un contrecoup est une réaction soudaine causée par un accessoire en rotation qui s'accroche ou qui se bloque, tels que meule, plateau de ponçage, brosse métallique, etc. Un

coincage ou un blocage entraîne un arrêt soudain de l'accessoire en rotation. Il en résulte que l'outil électroportatif incontrôlé est accéléré à l'endroit du blocage dans le sens inverse de l'accessoire. Par ex., si une meule s'accroche ou si elle se bloque dans la pièce, le bord de la meule qui entre dans la pièce peut se coincer et faire que la meule se déplace ou cause un contrecoup. En fonction du sens de rotation de la meule à l'endroit de blocage, la meule s'approche ou s'éloigne alors de l'utilisateur. Les meules peuvent également casser. Un contrecoup est la suite d'une mauvaise utilisation ou une utilisation incorrecte de l'outil électroportatif. Il peut être évité en prenant des mesures de précaution comme celles décrites ci-dessous.

- a. **Tenez fermement l'outil électroportatif et adoptez une position permettant de faire face à des forces de contrecoup. Utilisez toujours la poignée supplémentaire, s'il y en a une, pour contrôler au maximum les forces de contrecoup ou les couples de réaction lors de l'accélération à pleine vitesse. Par des mesures de précaution appropriées, la personne travaillant avec l'outil peut contrôler le contrecoup et les forces du contrecoup.**
- b. **Ne placez pas votre main à proximité des accessoires en rotation. Lors d'un contrecoup, l'accessoire risque de passer sur votre main.**
- c. **Évitez de vous placer dans la zone dans laquelle l'outil électroportatif ira lors d'un contrecoup. Le contrecoup entraîne l'outil électroportatif dans le sens opposé au mouvement de la meule à l'endroit de blocage.**
- d. **Soyez extrêmement vigilant lors du travail de coins, d'arêtes coupantes etc. Évitez que les accessoires ne rebondissent contre la pièce à travailler et ne se coincent. L'accessoire en rotation a tendance à se coincer aux coins, arêtes coupantes ou quand il rebondit. Ceci cause une perte de contrôle ou un contrecoup.**
- e. **N'utilisez pas de lames de scie à chaînes ou dentées. De tels accessoires risquent de produire un contrecoup ou une perte de contrôle de l'outil électroportatif.**

CONSIGNES DE SECURITE SPECIFIQUES AU PONÇAGE ET A LA DECOUPE A L'ABRASIF

- a. **Pour votre outil électroportatif, n'utilisez que des meules autorisées et le capot de protection conçu pour cette meule. Les meules qui n'ont pas été conçues pour cet outil électroportatif, ne peuvent pas être suffisamment protégées et présentent alors un danger.**
- b. **Les meules ne doivent être utilisées que pour les utilisations recommandées. Par ex. : Ne poncez jamais avec la surface latérale d'un disque à tronçonner. Les disques à tronçonner sont faits pour enlever de la matière avec le bord du disque. Les forces latérales agissant sur de telles meules peuvent en provoquer la destruction.**
- c. **Utilisez toujours des brides de serrage en parfait état qui ont la bonne taille et la forme appropriée à la meule choisie. Les brides appropriées soutiennent la meule et réduisent alors le danger de voir la meule se casser. Les brides pour les disques à tronçonner peuvent différer de celles pour les autres disques à meuler.**
- d. **N'utilisez pas les meules usées d'outils électroportatifs plus grands. Les meules pour les outils électroportatifs plus grands ne sont pas conçues pour les vitesses de rotation**

élevées des outils électroportatifs plus petits et risquent de casser.

CONSIGNES DE SECURITE SUPPLEMENTAIRES POUR LA DECOUPE A L'ABRASIF

- a. Evitez de coincer le disque à tronçonner ou d'appliquer une pression trop élevée. Ne réalisez pas des coupes trop profondes. Une surcharge du disque à tronçonner en augmente la sollicitation, donc le risque de se coincer ou de se bloquer, ce qui entraînerait un contrecoup ou la destruction de la meule.
- b. Evitez la zone se trouvant devant et derrière le disque à tronçonner en rotation. Si vous éloignez de vous le disque à tronçonner qui se trouve dans la pièce à travailler, l'outil électroportatif peut être projeté directement vers vous dans le cas d'un contrecoup.
- c. Si le disque à tronçonner se coince ou lors d'une interruption de travail, mettez l'outil électroportatif hors fonctionnement et immobilisez-le jusqu'à l'arrêt total de la meule. Ne tentez jamais de sortir du tracé le disque à tronçonner encore en rotation, sous risque de contrecoup. Déterminez la cause du blocage et éliminez-la.
- d. Ne remettez pas l'outil électroportatif en marche tant qu'il se trouve dans la pièce à travailler. Attendez que le disque à tronçonner ait atteint sa vitesse de rotation maximale avant de continuer prudemment la coupe. Sinon, le disque risque de se coincer, sauter de la pièce ou causer un contrecoup.
- e. Soutenez les grands panneaux ou les grandes pièces à travailler afin de réduire le risque d'un contrecoup causé par un disque à tronçonner coincé. Les grandes pièces risquent de s'arquer sous leur propre poids. La pièce doit être soutenue des deux côtés par des supports, près du tracé ainsi qu'aux bords de la pièce.
- f. Faire preuve d'une prudence particulière lorsqu'une coupe en plongée est effectuée dans des murs ou dans d'autres endroits difficiles à reconnaître. Le disque à tronçonner qui pénètre dans le mur peut heurter des conduites de gaz ou d'eau, des conduites électriques ou des objets pouvant causer un contrecoup.

CONSIGNES DE SECURITE SPECIFIQUES AU PONÇAGE

- a. N'utilisez pas de disques de papier abrasif de trop grande taille. Respectez les indications du fabricant concernant la feuille abrasive. Les feuilles abrasives trop grandes par rapport au plateau de ponçage présentent un risque de lacération et peuvent provoquer le blocage ou la déchirure du disque abrasif, ou un contrecoup.

CONSIGNES DE SECURITE SPECIFIQUES AU POLISSAGE

- a. Evitez qu'une partie mal fixée du disque de polissage ou que des cordes de fixation ne tournent librement. Rangez ou raccourcissez les cordes de fixation. Des cordes de fixation lâches ou en rotation peuvent happer vos doigts ou se coincer sur la pièce à travailler.

CONSIGNES DE SECURITE SPECIFIQUES AU BROSSAGE

- a. Ayez à l'esprit que la brosse perd des fils métalliques même pendant le travail normal. Evitez une sollicitation trop élevée des fils métalliques en appliquant une pression excessive sur la brosse. Les fils métalliques arrachés peuvent pénétrer facilement dans des vêtements légers et/ou la peau.
- b. Si un capot de protection est recommandé pour le brossage métallique, évitez tout contact entre ce capot et la brosse métallique. Les brosses métalliques circulaires ou autres peuvent augmenter de diamètre en raison de la pression et des forces centrifuges.

AVERTISSEMENTS DE SECURITE SPECIFIQUES À LA MACHINE

- a. N'utilisez l'outil électroportatif que pour un travail à sec. La pénétration d'eau dans un outil électroportatif augmente le risque d'un choc électrique.
- b. Gardez les mains à distance de la zone de sciage. Ne passez pas les mains sous la pièce à travailler. Lors d'un contact avec la lame de scie, il y a risque de blessures.
- c. Utilisez des détecteurs appropriés afin de déceler des conduites cachées ou consulter les entreprises d'approvisionnement locales. Un contact avec des lignes électriques peut provoquer un incendie ou un choc électrique. L'endommagement d'une conduite de gaz peut provoquer une explosion. La perforation d'une conduite d'eau provoque des dégâts matériels et peut provoquer un choc électrique.
- d. Tenez toujours fermement l'outil électroportatif des deux mains et veillez à toujours garder une position de travail stable. Avec les deux mains, l'outil électroportatif est guidé de manière plus sûre.
- e. Bloquez la pièce à travailler. Une pièce à travailler serrée par des dispositifs de serrage ou dans un état est fixée de manière plus sûre que tenue dans les mains.
- f. Tenez propre la place de travail. Les mélanges de matériaux sont particulièrement dangereux. Les poussières de métaux légers peuvent être explosives ou inflammables.
- g. Portez des gants de protection pour remplacer les outils de travail. Les outils de travail se chauffent lors d'une utilisation prolongée.
- h. Ne traitez pas la surface à travailler avec des liquides contenant des solvants. Des vapeurs nuisibles à la santé peuvent être générées si les matériaux s'échauffent lors du grattage.
- i. Soyez extrêmement vigilant lors de la manipulation de la spatule. L'outil est très tranchant, il y a danger de blessure.

ATTENTION NE TRAVAILLEZ PAS SUR DES MATÉRIAUX CONTENANT DE L'AMIANTE (L'AMIANTE EST CONSIDÉRÉE COMME ÉTANT CANCÉRIGÈNE).

ATTENTION PRENEZ DES MESURES DE SÉCURITÉ LORSQUE DES POUSSIÈRES NUISIBLES À LA SANTÉ, INFLAMMABLES OU EXPLOSIVES PEUVENT ÊTRE GÉNÉRÉES LORS DU TRAVAIL (CERTAINES POUSSIÈRES SONT

CONSIDÉRÉES COMME ÉTANT CANCÉRIGÈNES) ; PORTEZ UN MASQUE ANTI-POUSSIÈRES ET UTILISEZ UN DISPOSITIF D'ASPIRATION DE POUSSIÈRES/DE COPEAUX S'IL EST POSSIBLE DE RACCORDER UN TEL DISPOSITIF.

ENVIRONNEMENT

MISE AU REBUT

Les outils électroportatifs, ainsi que leurs accessoires et emballages doivent être triés en vue de leur recyclage approprié.

SEULEMENT POUR LES PAYS DE L'UNION EUROPEENNE



Ne jetez pas votre appareil électroportatif avec les ordures ménagères !
Conformément à la directive européenne 2002/96/CE relative à la mise au rebut des équipements électriques et électroniques, et à sa transposition dans le droit national, les outils électroportatifs inutilisables doivent faire l'objet d'une collecte distincte et être mis au rebut d'une manière respectueuse pour l'environnement.

SPECIFICATIONS

SPECIFICATIONS GENERALES

Tension nominale	230 V, 50 Hz
Puissance nominale	130 W
Vitesse nominale	33 000 tr/min
Capacité de la pince	0,8 mm, 1,6 mm, 2,4 mm, 3,2 mm

 Appareil de classe II Outils à double isolation

RALLONGES

Utilisez des rallonges entièrement déroulées et fiables d'une intensité de 5 A.

SPECIFICATIONS DU MOTEUR

Cet outil multifonctions est équipé d'un moteur à vitesse élevée variable. Il est conçu pour fonctionner avec une alimentation de 230 V, 50 Hz. Vérifiez toujours que la tension d'alimentation est identique à celle indiquée sur la plaque indicatrice de l'outil.

MONTAGE

DEBRANCHEZ SYSTEMATIQUEMENT L'OUTIL MULTIFONCTIONS AVANT DE CHANGER D'ACCESSOIRE OU DE PINCE, OU POUR REPARER L'OUTIL.

GENERALITES

L'outil multifonctions Dremel est un outil de précision de très grande qualité, capable d'accomplir des tâches minutieuses et complexes. La palette étendue d'accessoires et de fixations Dremel permet d'effectuer une grande diversité de travaux, notamment le ponçage, la sculpture et la gravure, ainsi que le défonçage, la découpe, le nettoyage et le polissage.

ILLUSTRATION 1

- A. Ecrou de blocage
- B. Pince
- C. Capuchon à clé intégrée EZ Twist™
- D. Bouton de verrouillage de l'arbre
- E. Interrupteur Marche/Arrêt
- F. Support
- G. Cordon
- H. Orifices de ventilation
- I. Capuchon de balais (un de chaque côté)
- J. Orifices de ventilation

PINCES PORTE-EMBOUT

Les accessoires Dremel disponibles pour l'outil multifonctions sont fournis avec différentes tailles de queues. Quatre tailles de pince sont disponibles pour les différentes queues. Ces tailles sont identifiées par les bagues au dos de la pince.

ILLUSTRATION 2

- K. Pince 3,2 mm sans bague (480)
- L. Pince 2,4 mm avec trois bagues (481)
- M. Pince 1,6 mm avec deux bagues (482)
- N. Pince 0,8 mm avec une bague (483)

REMARQUE : Certains kits d'outil multifonctions peuvent ne pas inclure les quatre tailles de pince. Les pinces sont disponibles séparément.

Utilisez systématiquement la pince correspondant au diamètre de queue de l'accessoire que vous projetez d'employer. N'engagez pas de queue de grand diamètre dans une pince de diamètre plus petit.

CHANGEMENT DE PINCE

ILLUSTRATION 3

- O. Bouton de verrouillage de l'arbre
- P. Ecrou de blocage
- Q. Sens de desserrage
- R. Sens de serrage
- S. Clé de pince

1. Appuyez sur le bouton de blocage d'arbre, maintenez et tournez l'arbre à la main jusqu'à ce qu'il s'enclenche. *N'actionnez pas le bouton de blocage tant que l'outil multifonctions n'est pas complètement arrêté.*
2. Lorsque le bouton de blocage d'arbre est enfoncé, desserrez et déposez l'écrou de blocage. Utilisez la clé de pince si nécessaire.
3. Déposez la pince en la dégageant de l'arbre.

- Engagez à fond la nouvelle pince appropriée dans l'arbre, puis repositionnez et serrez à la main l'écrou de blocage. Ne serrez pas complètement l'écrou en l'absence d'embout ou d'accessoire.

CHANGEMENT D'ACCESSOIRE

ILLUSTRATIONS 3/5

- Appuyez sur le bouton de blocage d'arbre, maintenez et tournez l'arbre à la main jusqu'à ce qu'il s'enclenche. *N'actionnez pas le bouton de blocage tant que l'outil multifonctions n'est pas complètement arrêté.*
- Lorsque le bouton de blocage d'arbre est enfoncé, desserrez l'écrou de blocage (sans le déposer). Utilisez la clé de pince si nécessaire.
- Engagez à fond l'embout ou la queue d'accessoire dans la pince.
- Le bouton de blocage d'arbre étant toujours enfoncé, serrez à la main l'écrou de blocage jusqu'à ce que l'embout ou la queue de l'accessoire soit bien serré dans la pince. *REMARQUE : Lisez impérativement les instructions d'utilisation fournies avec votre accessoire Dremel.*

Utilisez uniquement des accessoires testés par Dremel.

CAPUCHON A CLE INTEGREE EZ TWIST™

ILLUSTRATIONS 4/5

- T. Capuchon à clé intégrée EZ Twist™

Le capuchon de votre outil possède une clé intégrée et vous permettant de serrer et de desserrer les coûts de la pince sans utiliser la clé de pince standard.

- Desserrez le capuchon de l'outil, alignez l'insert en acier dans le capuchon avec l'écrou de pince.
- Après avoir enfoncé le bouton de verrouillage de l'arbre, faites pivoter le capuchon dans le sens horaire pour desserrer l'écrou de pince. N'actionnez pas le bouton de blocage tant que l'outil multifonctions n'est pas complètement arrêté.
- Engagez à fond l'embout ou la queue d'accessoire dans la pince.
- Après avoir enfoncé le bouton de verrouillage de l'arbre, faites pivoter le capuchon dans le sens antihoraire pour serrer l'écrou de pince.
- Serrez le capuchon dans sa position d'origine. *REMARQUE : Lisez impérativement les instructions d'utilisation fournies avec votre accessoire Dremel.*

Utilisez uniquement des accessoires testés par Dremel.

COMMENT DEMARRER

UTILISATION

La première étape consiste à faire connaissance avec l'outil. Prenez-le, soupesez-le et cherchez son équilibre dans votre main. Sentez sous vos doigts la partie conique du corps. Celle-ci permet de tenir l'outil comme un crayon. La poignée souple exclusive sur la partie conique est synonyme de confort et de contrôle accrus

pendant l'utilisation.

Ne tournez jamais l'outil vers votre visage, orientez-le vers l'extérieur. Des accessoires qui ont pu être endommagés lors de la manipulation peuvent être violemment projetés sous l'effet de la vitesse.

Lorsque vous tenez l'outil, évitez d'obstruer les orifices de ventilation avec vos mains. Cette obstruction peut provoquer une surchauffe du moteur.

IMPORTANT ! Effectuez un essai sur une chute pour découvrir comment l'outil se comporte à haute vitesse. Ayez à l'esprit que votre outil multifonctions sera le plus performant à sa vitesse de travail, avec l'accessoire et la fixation Dremel appropriés. Si possible, évitez toute pression sur l'outil pendant son utilisation. Au contraire, appliquez légèrement l'accessoire en rotation à l'endroit voulu sur la surface à travailler. Concentrez-vous sur le guidage de l'outil sur la surface de travail en appliquant une très faible pression de la main. Laissez l'accessoire faire le travail. Il est généralement préférable d'effectuer une série de passes avec l'outil plutôt que d'effectuer la totalité de la tâche en une seule passe. Un contact léger permet un contrôle optimal et évite les risques d'erreur.

Pour maîtriser l'outil multifonctions dans les travaux de précision, tenez-le comme un crayon, entre le pouce et l'index.

ILLUSTRATION 6

La méthode de maintien de type «golf» est appliquée pour les opérations plus difficiles telles que le ponçage ou la découpe.

ILLUSTRATION 7

VITESSES DE FONCTIONNEMENT

Cet outil multifonctions fonctionne à une vitesse élevée. Celle-ci varie dans une plage comprise entre 10 000 et 33 000 tr/min. L'ajustement de la vitesse de rotation à votre projet donnera un meilleur résultat final. Pour une qualité optimum lorsque vous travaillez sur différents matériaux, réglez le variateur de vitesse en conséquence. Pour sélectionner la vitesse adaptée à l'accessoire utilisé, effectuez préalablement un essai sur une chute. Les réglages de vitesse de l'outil multifonctions de la série 3000 sont indiqués sur le variateur. Reportez-vous au tableau des réglages de vitesses aux pages 4 à 6, afin de déterminer la vitesse appropriée en fonction du matériau employé et de l'accessoire.

La majorité des tâches peuvent être accomplies en utilisant l'outil à sa vitesse maximale. Néanmoins, certains matériaux (plastiques et métaux spécifiques) peuvent être endommagés par la chaleur résultant du fonctionnement à vitesse élevée et doivent donc être travaillés à des vitesses relativement faibles. Le fonctionnement à faible vitesse (inférieure ou égale à 15 000 tr/min) convient en général aux travaux de polissage avec les accessoires de polissage en feutre. Toutes les applications de broissage nécessitent des vitesses réduites afin d'éviter l'arrachement de fils métalliques. A faible vitesse, laissez l'outil performant faire le travail pour vous. Les vitesses plus élevées conviennent mieux pour travailler les bois durs, les métaux et le verre, ainsi que pour percer, sculpter, découper, défoncer, profiler et réaliser des feuillures ou des embrèvements dans le bois. Les positions d'interrupteur correspondent approximativement aux vitesses de rotation suivantes :

Réglages des tours/minutes approximatifs sur l'outil rotatif à vitesse variable modèle 3000.

Réglage de l'interrupteur	Plage de vitesse
1-2	10 000-14 000 tr/min
3-4	15 000-19 000 tr/min
5-6	20 000-23 000 tr/min
7-8	24 000-28 000 tr/min
9-10	29 000-33 000 tr/min

Quelques conseils concernant la vitesse d'utilisation de l'outil :

- Le plastique et les autres matériaux qui fondent à basse température doivent être coupés à des vitesses réduites.
- Le polissage, le lustrage et le nettoyage à la brosse métallique doivent être effectués avec l'interrupteur réglé sur 1, afin de ne pas endommager la brosse et le matériau.
- Le bois doit être coupé à vitesse élevée.
- Le fer ou l'acier doivent être coupés à vitesse élevée.
- Si une fraise en acier haute vitesse commence à vibrer, c'est généralement que sa vitesse de rotation est trop faible.
- L'aluminium, ainsi que les alliages de cuivre, de plomb, de zinc et d'étain peuvent être coupés à diverses vitesses selon le type de découpe effectuée. Appliquez de la paraffine (pas d'eau) ou un lubrifiant approprié sur la fraise afin d'éviter l'adhérence de déchets de coupe sur les tranchants de la fraise.

REMARQUE : Une pression accrue sur l'outil ne constitue pas la solution pour de meilleures performances. Essayez un autre accessoire ou une autre vitesse pour obtenir le résultat souhaité.

ENTRETIEN

Toute opération d'entretien préventif effectuée par du personnel non autorisé peut entraîner le positionnement incorrect de composants internes et présenter des risques graves. Nous recommandons de confier les opérations d'entretien de l'outil à un Centre Technique Dremel. Pour éviter les blessures résultant d'un démarrage accidentel ou d'un choc électrique, débranchez systématiquement l'outil de la prise murale avant les opérations de réparation ou de nettoyage.

BALAIS DE CHARBON

Les balais employés sur votre outil sont conçus pour de longues heures de bon fonctionnement. Afin de préparer les balais en vue de l'utilisation de l'outil, faites fonctionner ce dernier à vide, à sa vitesse maximale pendant 5 minutes. Les balais seront ainsi positionnés correctement et vous prolongerez la durée de vie de l'outil. Pour préserver des performances optimales du moteur, examinez l'usure des balais toutes les 40 à 50 heures. L'utilisation de l'outil avec des balais usés peut entraîner une détérioration irrémédiable du moteur. Employez exclusivement des balais de rechange Dremel d'origine. Examinez les balais de l'outil multifonctions au bout de 40 à 50 heures d'utilisation. En cas de fonctionnement irrégulier, de baisse de puissance ou de bruit inhabituel de l'outil multifonctions, contrôlez le degré d'usure des balais et, le cas échéant, remplacez-les. Respectez la procédure suivante pour l'examen/le remplacement des balais :

1. Après avoir débranché le cordon d'alimentation, placez l'outil sur une surface propre. Servez-vous de la clé de l'outil en tant que tournevis pour déposer les capuchons des balais. ILLUSTRATION 8
2. Déposez les balais en tirant sur leur ressort. Si la longueur du balai est inférieure à 3 mm et si sa surface au contact du commutateur est rugueuse ou piquée, les balais de charbon doivent être remplacés. Prenez soin de vérifier les deux balais. ILLUSTRATION 9
3. Si un balai est usé, remplacez les deux afin de garantir de meilleures performances de votre outil multifonctions. Déposez le ressort du balai, mettez le balai usé au rebut et remplacez le ressort sur un nouveau balai.
4. Repositionnez le balai et le ressort dans l'outil, en sachant qu'il existe un seul sens de repose.
5. Remettez en place les capuchons sur l'outil en tournant dans le sens des aiguilles d'une montre. Pour serrer, utilisez la clé. Attention de NE PAS SERRER EXCESSIVEMENT! Après le remplacement des balais, faites fonctionner l'outil à vide ; pour cela, placez-le sur une surface propre et faites-le fonctionner à pleine vitesse pendant 5 minutes avant de l'utiliser. Les balais seront ainsi positionnés correctement et vous prolongerez leur durée de vie. Vous allongerez également la durée de vie de votre outil, car la surface du commutateur s'usera moins.

NETTOYAGE DE L'OUTIL

DEBRANCHEZ LA PRISE ELECTRIQUE AVANT TOUT NETTOYAGE

Les orifices de ventilation et les curseurs des interrupteurs doivent être tenus propres et exempts de corps étrangers. Ne tentez pas de nettoyer l'outil en insérant des objets pointus à travers les orifices de ventilation.

L'outil peut être nettoyé à l'air comprimé. Dans ce cas, portez systématiquement des lunettes de protection.

L'outil multifonctions de Dremel ne requiert aucune lubrification. Certains détergents et solvants endommageront les pièces en plastique. Il s'agit notamment des produits suivants : le tétrachlorure de carbone, les solvants chlorés, l'ammoniaque et les détergents domestiques qui contiennent de l'ammoniaque. Nettoyez les zones de «poignée souple» de l'outil au moyen d'un chiffon humide. Il peut être nécessaire de renouveler plusieurs fois l'opération pour le nettoyage des surfaces rigides encrassées.

REPARATION ET GARANTIE

Ce produit DREMEL fait l'objet d'une garantie conforme aux réglementations légales en vigueur dans votre pays ; les dommages résultant de l'usure normale, d'une surcharge ou d'une utilisation inappropriée sont exclus de la garantie.

En cas de réclamation, envoyez l'outil non démonté avec le justificatif d'achat à votre revendeur.

Pour plus d'informations sur la gamme de produits, le support technique et l'assistance téléphonique de la société Dremel, visitez le site www.dremel.com

Dremel Europe, P.O. Box 3267, 4800 DG Breda, Pays-Bas

TRADUZIONE DELLE ISTRUZIONI ORIGINALI

SIMBOLI USATI



CONSERVARE QUESTE ISTRUZIONI



USARE PROTEZIONE ACUSTICA



USARE OCCHIALI DI PROTEZIONE



USARE UNA MASCHERA ANTIPOLVERE

ISTRUZIONI GENERALI DI SICUREZZA PER ELETTROUTENSILI



ATTENZIONE LEGGERE TUTTE LE AVVERTENZE E LE ISTRUZIONI

DI SICUREZZA.

Eventuali errori nell'adempimento delle istruzioni qui di seguito riportate potranno causare scosse elettriche, incendi e/o incidenti gravi.

Conservare tutte le avvertenze e le istruzioni per futuro riferimento.

Il termine "elettroutensile" nelle avvertenze fa riferimento allo strumento azionato tramite corrente elettrica (cavo) o allo strumento azionato a batteria (senza cavo).

SICUREZZA DELLA STAZIONE DI LAVORO

- Tenere la zona di operazione sempre pulita ed ordinata.** Il disordine e le zone di lavoro non illuminate possono essere fonte di incidenti.
- Evitare d'impiegare l'elettrotensile in ambienti soggetti al rischio di esplosioni e nei quali si trovino liquidi, gas o polveri infiammabili.** Gli elettrotensili producono scintille che possono far infiammarsi la polvere o i gas.
- Tenere lontani i bambini ed altre persone durante l'impiego dell'elettrotensile.** Eventuali distrazioni potranno comportare la perdita del controllo sull'elettrotensile.

- La spina per la presa di corrente dovrà essere adatta alla presa. Evitare assolutamente di apportare modifiche alla spina. Non impiegare spine adattatrici assieme ad elettrotensili con collegamento a terra.** Le spine non modificate e le prese adatte allo scopo riducono il rischio di scosse elettriche.
- Evitare il contatto fisico con superfici collegate a terra, come tubi, riscaldamenti, cucine elettriche e frigoriferi.** Sussiste un maggior rischio di scosse elettriche nel momento in cui il corpo è messo a massa.
- Custodire l'elettrotensile al riparo dalla pioggia o dall'umidità.** L'eventuale filtrazione di acqua in un elettrotensile va ad aumentare il rischio d'insorgenza di scosse elettriche.
- Non usare il cavo per scopi diversi da quelli previsti. Non usarlo quindi per trasportare o appendere l'elettrotensile oppure per togliere la spina dalla presa di corrente. Non avvicinare il cavo a fonti di calore, olio, spigoli taglienti e neppure a parti della macchina che siano in movimento.** I cavi danneggiati o aggrovigliati aumentano il rischio d'insorgenza di scosse elettriche.
- Qualora si voglia usare l'elettrotensile all'aperto, impiegare solo ed esclusivamente cavi di prolunga omologati per l'impiego all'esterno.** L'uso di un cavo di prolunga omologato per l'impiego all'esterno riduce il rischio d'insorgenza di scosse elettriche.
- Qualora fosse necessario utilizzare l'elettrotensile in un luogo umido, usare un alimentatore protetto da un disgiuntore di messa a terra (ELCB).** L'uso di un disgiuntore di messa a terra riduce il rischio d'insorgenza di scosse elettriche.

SICUREZZA DI PERSONE

- È importante concentrarsi su ciò che si sta facendo e maneggiare con giudizio l'elettrotensile durante le operazioni di lavoro. Non utilizzare l'utensile in caso di stanchezza o sotto l'effetto di droghe, bevande alcoliche e medicinali.** Un attimo di distrazione durante l'uso dell'elettrotensile potrà causare lesioni gravi.
- Indossare abbigliamento di protezione.** Indossando abbigliamento di protezione personale come la maschera per polveri, scarpe di sicurezza che non scivolino, elmetto di protezione oppure protezione acustica a seconda del tipo e dell'applicazione dell'elettrotensile, si riduce il rischio di incidenti.
- Evitare l'avvio accidentale.** Verificare che l'interruttore sia spento prima di collegare l'alimentazione e/o la batteria oppure prima di sollevare o trasportare l'utensile. Il fatto di tenere il dito sopra all'interruttore o di collegare l'elettrotensile acceso all'alimentazione di corrente potrà essere causa di incidenti.
- Togliere gli attrezzi di regolazione o la chiave inglese prima di accendere l'utensile.** Un utensile oppure una chiave che si trovi in una parte rotante della macchina può provocare seri incidenti.
- Mai sopravvalutare le proprie possibilità di reazione.** Avere cura di mettersi in posizione sicura e di mantenere

l'equilibrio. In tale maniera sarà possibile controllare meglio l'elettrotensile in situazioni inaspettate.

- f. **Indossare vestiti adeguati. Non indossare vestiti larghi, né portare bracciali e catenine. Tenere i capelli, i vestiti ed i guanti lontani da pezzi in movimento. Vestiti lenti, gioielli o capelli lunghi potranno impigliarsi in pezzi in movimento.**
- g. **In caso fosse previsto il montaggio di dispositivi di aspirazione della polvere e di raccolta, assicurarsi che gli stessi siano collegati e che vengano utilizzati correttamente. L'utilizzo di tali dispositivi contribuisce a ridurre lo svilupparsi di situazioni pericolose provocate dalla presenza di polvere.**

TRATTAMENTO ACCURATO E USO CORRETTO DEGLI ELETTROUTENSILI

- a. **Non sottoporre la macchina a sovraccarico. Per il proprio lavoro, utilizzare esclusivamente l'elettrotensile esplicitamente previsto per il caso. Con un elettrotensile adatto si lavora in modo migliore e più sicuro nell'ambito della sua potenza di prestazione.**
- b. **Non utilizzare mai elettrotensili con interruttori difettosi. Un elettrotensile con l'interruttore rotto è pericoloso e deve essere sostituito oppure riparato.**
- c. **Scollegare la spina dall'alimentazione e/o la batteria dall'elettrotensile prima di eseguire qualunque regolazione, sostituire gli accessori o riporre gli elettrotensili. Tale precauzione eviterà che l'elettrotensile possa essere messo in funzione involontariamente.**
- d. **Quando gli elettrotensili non vengono utilizzati, conservarli al di fuori del raggio di accesso di bambini. Non fare usare l'elettrotensile a persone che non siano abituate ad usarlo o che non abbiano letto le presenti istruzioni. Gli elettrotensili sono macchine pericolose quando vengono utilizzati da persone non dotate di sufficiente esperienza.**
- e. **Effettuare accuratamente la manutenzione dell'elettrotensile. Verificare che le parti mobili dell'elettrotensile funzionino perfettamente e non s'incepino, che non ci siano pezzi rotti o danneggiati al punto tale da limitare la funzione dell'elettrotensile stesso. Prima di iniziare l'impiego, far riparare le parti danneggiate. Numerosi incidenti vengono causati da elettrotensili la cui manutenzione è stata effettuata poco accuratamente.**
- f. **Mantenere gli utensili da taglio sempre affilati e puliti. Gli utensili da taglio curati con particolare attenzione e con taglienti affilati s'incepiscono meno frequentemente e sono più facili da condurre.**
- g. **Utilizzare utensili elettrici, accessori, attrezzi, ecc. in conformità con le presenti istruzioni, tenere sempre presente le condizioni di lavoro e le operazioni da eseguire. L'impiego di elettrotensili per usi diversi da quelli consentiti potrà dar luogo a situazioni di pericolo.**

ASSISTENZA

- a. **Fare riparare l'elettrotensile solo ed esclusivamente da personale specializzato e solo impiegando pezzi**

di ricambio originali. In tale maniera potrà essere salvaguardata la sicurezza dell'elettrotensile.

ISTRUZIONI DI SICUREZZA PER TUTTE LE OPERAZIONI

ISTRUZIONI DI SICUREZZA GENERALI PER LAVORI DI LEVIGATURA, LEVIGATURA CON CARTA VETRATA, LAVORI CON SPAZZOLE METALLICHE, LUCIDATURA O TRONCATURA

- a. **Questo elettrotensile è previsto per essere utilizzato come levigatrice, levigatrice per carta a vetro, spazzola metallica, lucidatrice e troncatrice. Attenersi a tutte le avvertenze di pericolo, istruzioni, rappresentazioni e dati che si ricevono insieme all' elettrotensile. In caso di mancata osservanza delle seguenti istruzioni vi è il pericolo di provocare una scossa elettrica, di sviluppare incendi e/o di provocare seri incidenti.**
- b. **Non utilizzare nessun accessorio che la casa costruttrice non abbia esplicitamente previsto e raccomandato per questo elettrotensile. Il semplice fatto che un accessorio possa essere fissato al Vostro elettrotensile non è una garanzia per un impiego sicuro.**
- c. **Il numero di giri ammesso dell'accessorio impiegato deve essere almeno tanto alto quanto il numero massimo di giri riportato sull'elettrotensile. Un accessorio che giri più rapidamente di quanto consentito può essere danneggiato.**
- d. **Il diametro esterno e lo spessore dell'accessorio montato devono corrispondere ai dati delle dimensioni dell'elettrotensile in dotazione. In caso di utilizzo di portautensili e di accessori di dimensioni sbagliate non sarà possibile garantire un corretto utilizzo senza rischi.**
- e. **Dischi abrasivi, flange, platorelli oppure altri portautensili ed accessori devono adattarsi perfettamente al mandrino portamolà dell'elettrotensile in dotazione. Portautensili ed accessori che non si adattano perfettamente al mandrino portamolà dell'elettrotensile non ruotano in modo uniforme, vibrano molto forte e possono provocare la perdita del controllo.**
- f. **Non utilizzare mai portautensili od accessori danneggiati. Prima di ogni utilizzo controllare i portautensili e gli accessori ed accertarsi che sui dischi abrasivi non vi siano scheggiature o crepature, che il platorello non sia soggetto ad incrinature, crepature o forte usura e che le spazzole metalliche non abbiano fili metallici allentati oppure rotti. Se l'elettrotensile oppure l'accessorio impiegato dovesse sfuggire dalla mano e cadere, accertarsi che questo non abbia subito nessun danno oppure utilizzare un accessorio intatto. Una volta controllato e montato il portautensili o accessorio, far funzionare l'elettrotensile per la durata di un minuto con il numero massimo di giri avendo cura di tenersi lontani e di impedire anche ad altre persone presenti di avvicinarsi al portautensili o accessorio in rotazione. Nella maggior parte dei casi i portautensili o accessori danneggiati si rompono nel corso di questo periodo di prova.**
- g. **Indossare abbigliamento di protezione. A seconda dell'applicazione in corso utilizzare una visiera completa,**

maschera di protezione per gli occhi oppure occhiali di sicurezza. Per quanto necessario, portare maschere per polveri, protezione acustica, guanti di protezione oppure un grembiule speciale in grado di proteggervi da piccole particelle di levigatura o di materiale. *Gli occhi dovrebbero essere protetti da corpi estranei scaraventati per l'aria nel corso di diverse applicazioni. La maschera antipolvere e la maschera respiratoria devono essere in grado di filtrare la polvere provocata durante l'applicazione. Esponendosi per lungo tempo ad un rumore troppo forte vi è il pericolo di perdere l'udito.*

- h. **Avere cura di evitare che altre persone possano avvicinarsi alla zona in cui si sta lavorando. Ogni persona che entra nella zona di operazione deve indossare un abbigliamento protettivo personale. Frammenti del pezzo in lavorazione oppure utensili rotti possono volar via oppure provocare incidenti anche al di fuori della zona diretta di lavoro.**
- i. **Quando si eseguono lavori in cui vi è pericolo che l'accessorio impiegato possa arrivare a toccare cavi elettrici nascosti oppure anche il cavo elettrico dell'elettrotensile stesso, operare con l'elettrotensile afferrandolo sempre alle superfici di impugnatura isolate. Un contatto con un cavo elettrico mette sotto tensione anche parti in metallo dell'elettrotensile provocando quindi una scossa elettrica.**
- j. **Usare dispositivi di serraggio o un altro metodo pratico per fissare e supportare il pezzo in lavorazione su una piattaforma stabile. Stringere l'utensile nella vostra mano o contro il corpo lo rende instabile e può portare alla perdita del controllo.**
- k. **Tenere lontano il cavo di collegamento elettrico dall'accessorio in rotazione. Se si perde il controllo sull'elettrotensile vi è il pericolo di trancire o di colpire il cavo di collegamento elettrico e la Vostra mano o braccio può arrivare a toccare il portautensili o accessorio in rotazione.**
- l. **Mai appoggiare l'elettrotensile prima che il portautensili o l'accessorio impiegato non si sia fermato completamente. L'utensile in rotazione può entrare in contatto con la superficie di appoggio facendoVi perdere il controllo sull'elettrotensile.**
- m. **Mai trasportare l'elettrotensile mentre questo dovesse essere ancora in funzione. Attraverso un contatto casuale l'utensile in rotazione potrebbe fare presa sugli indumenti oppure sui capelli dell'operatore e potrebbe arrivare a ferire seriamente il corpo dell'operatore.**
- n. **Pulire regolarmente le feritoie di ventilazione dell'elettrotensile in dotazione. Il ventilatore del motore attira polvere nella carcassa ed una forte raccolta di polvere di metallo può provocare pericoli di origine elettrica.**
- o. **Non utilizzare mai l'elettrotensile nelle vicinanze di materiali infiammabili. Le scintille possono incendiare questi materiali.**
- p. **Non utilizzare mai accessori che richiedano refrigeranti liquidi. L'utilizzo di acqua o di altri liquidi refrigeranti può provocare una scossa di corrente elettrica.**
- q. **Non lavorare mai materiali contenenti amianto (l'amianto è ritenuto materiale cancerogeno).**
- r. **Prendere dei provvedimenti appropriati in caso che durante il lavoro dovessero svilupparsi polveri dannose**

per la salute, infiammabili oppure esplosive *(alcune polveri sono considerate cancerogene); portare una maschera di protezione contro la polvere ed utilizzare un sistema di aspirazione polvere/aspirazione trucioli quando è collegato.*

CONTRACCOLPO E RELATIVE AVVERTENZE DI PERICOLO

Un contraccolpo è l'improvvisa reazione in seguito ad agganciamento oppure blocco di accessorio in rotazione come può essere un disco abrasivo, platorello, spazzola metallica ecc.. Agganciandosi oppure bloccandosi il portautensili o accessorio provoca un arresto improvviso della rotazione dello stesso. In questo caso l'operatore non è più in grado di controllare l'elettrotensile ed al punto di blocco si provoca un rimbalzo dello stesso che avviene nella direzione opposta a quella della rotazione del portautensili o dell'accessorio. Se p.es. un disco abrasivo resta agganciato o bloccato nel pezzo in lavorazione, il bordo del disco abrasivo che si abbassa nel pezzo in lavorazione può rimanere impigliato provocando in questo modo una rottura oppure un contraccolpo del disco abrasivo. Il disco abrasivo si avvicina o si allontana dall'operatore a seconda della direzione di rotazione che ha nel momento in cui si blocca. In tali situazioni è possibile che le mole abrasive possano anche rompersi. Un contraccolpo è la conseguenza di un utilizzo non appropriato oppure non corretto dell'elettrotensile. Esso può essere evitato soltanto prendendo misure adatte di sicurezza come dalla descrizione che segue.

- a. **Tenere sempre ben saldo l'elettrotensile e portare il proprio corpo e le proprie braccia in una posizione che Vi permetta di compensare le forze di contraccolpo. Se disponibile, utilizzare sempre l'impugnatura supplementare in modo da poter avere sempre il maggior controllo possibile su forze di contraccolpi oppure momenti di reazione che si sviluppano durante la fase in cui la macchina raggiunge il regime di pieno carico. Prendendo appropriate misure di precauzione l'operatore può essere in grado di tenere sotto controllo le forze di contraccolpo e quelle di reazione a scatti.**
- b. **Mai avvicinare la propria mano nella zona degli utensili in rotazione. Nel corso dell'azione di contraccolpo il portautensili o accessorio potrebbe passare sulla Vostra mano.**
- c. **Evitare di avvicinarsi con il proprio corpo nella zona in cui l'elettrotensile viene mosso in caso di un contraccolpo. Un contraccolpo provoca uno spostamento improvviso dell'elettrotensile che si sviluppa nella direzione opposta a quella della rotazione della mola abrasiva al punto di blocco.**
- d. **Operare con particolare attenzione in prossimità di spigoli, spigoli taglienti ecc.. Avere cura di impedire che portautensili o accessori possano rimbalzare dal pezzo in lavorazione oppure possano rimanervi bloccati. L'utensile in rotazione ha la tendenza a rimanere bloccato in angoli, spigoli taglienti oppure in caso di rimbalzo. Ciò provoca una perdita del controllo oppure un contraccolpo.**
- e. **Non utilizzare seghe a catena e neppure lame dentellate. Questo tipo di accessori provocano spesso un contraccolpo oppure la perdita del controllo sull'elettrotensile.**

PARTICOLARI AVVERTENZE DI PERICOLO PER OPERAZIONI DI LEVIGATURA E DI TRONCATURA

- a. Utilizzare esclusivamente utensili abrasivi che siano esplicitamente ammessi per l'elettrotensile in dotazione e sempre in combinazione con la calotta di protezione prevista per ogni utensile abrasivo. *Utensili abrasivi che non sono previsti per l'elettrotensile non potranno garantire un corretto e sicuro utilizzo senza rischi.*
- b. Utensili abrasivi possono essere utilizzati esclusivamente per le possibilità applicative esplicitamente raccomandate. Per es.: mai eseguire lavori di levigatura con la superficie laterale di un disco abrasivo da taglio diritto. *Mole abrasive da taglio diritto sono previste per l'asportazione di materiale con il bordo del disco. Esercitando dei carichi laterali su questi utensili abrasivi vi è il pericolo di romperli.*
- c. Per la mola abrasiva selezionata, utilizzare sempre flange di serraggio che siano in perfetto stato e che siano della corretta dimensione e forma. *Flange adatte hanno una funzione di corretto supporto della mola abrasiva riducendo il più possibile il pericolo di una rottura della mola abrasiva. È possibile che vi sia una differenza tra flange per mole abrasive da taglio diritto e flange per mole abrasive di altro tipo.*
- d. Non utilizzare mai mole abrasive usurate previste per elettrotensili più grandi. *Mole abrasive previste per elettrotensili più grandi non sono concepite per le maggiori velocità di elettrotensili più piccoli e possono rompersi.*

ULTERIORI AVVERTENZE DI PERICOLO SPECIFICHE PER LAVORI DI TRONCATURA

- a. Evitare di far bloccare il disco abrasivo da taglio diritto oppure di esercitare una pressione troppo alta. **Non eseguire tagli eccessivamente profondi.** *Sottoponendo la mola da taglio diritto a carico eccessivo se ne aumenta la sollecitazione e la si rende maggiormente soggetta ad angolature improprie o a blocchi venendo così a creare il pericolo di contraccolpo oppure di rottura dell'utensile abrasivo.*
- b. Evitare di avvicinarsi alla zona anteriore o posteriore al disco abrasivo da taglio in rotazione. *Quando l'operatore manovra la mola da taglio diritto nel pezzo in lavorazione in direzione opposta a quella della propria persona, può capitare che in caso di un contraccolpo il disco in rotazione faccia rimbalzare con violenza l'elettrotensile verso l'operatore.*
- c. Qualora il disco abrasivo da taglio diritto dovesse incepparsi oppure si dovesse interrompere il lavoro, spegnere l'elettrotensile e tenerlo fermo fino a quando il disco si sarà fermato completamente. **Non tentare mai di estrarre il disco abrasivo dal taglio in esecuzione perché si potrebbe provocare un contraccolpo. Rilevare ed eliminare la causa per il blocco.**
- d. Mai rimettere l'elettrotensile in funzione fintanto che esso si trovi ancora nel pezzo in lavorazione. **Prima di continuare ad eseguire il taglio procedendo con la dovuta attenzione, attendere che il disco abrasivo da taglio diritto abbia raggiunto la massima velocità.** *In caso*

contrario è possibile che il disco resti agganciato, sbalzato dal pezzo in lavorazione oppure provochi un contraccolpo.

- e. **Dotare di un supporto adatto pannelli oppure pezzi in lavorazione di dimensioni maggiori in modo da ridurre il rischio di un contraccolpo dovuto ad un disco abrasivo da taglio diritto che rimane bloccato.** *Pezzi in lavorazione di dimensioni maggiori possono piegarsi sotto l'effetto del proprio peso. Provvedere a munire il pezzo in lavorazione di supporti adatti al caso specifico sia nelle vicinanze del taglio di troncatura che in quelle del bordo.*
- f. **Operare con particolare attenzione in caso di «tagli dal centro» da eseguire in pareti già esistenti oppure in altre parti non visibili.** *Il disco abrasivo da taglio diritto che inizia il taglio sul materiale può provocare un contraccolpo se dovesse arrivare a troncature condutture del gas o dell'acqua, linee elettriche oppure oggetti di altro tipo.*

AVVERTENZE DI PERICOLO SPECIFICHE PER LAVORI DI LEVIGATURA

- a. **Non utilizzare fogli abrasivi eccessivamente sovradimensionati.** *Seguire le raccomandazioni del produttore quando si seleziona il foglio abrasivo. Fogli abrasivi che dovessero sporgere oltre il platello possono provocare incidenti oppure blocchi, strappi dei fogli abrasivi oppure contraccolpi.*

AVVERTENZE DI PERICOLO SPECIFICHE PER LAVORI DI LUCIDATURA

- a. **Evitare assolutamente che parti della cappa lucidata si stacchino o alle cordicelle di fissaggio di muoversi liberamente.** *Raccogliere per bene oppure tagliare le cordicelle di fissaggio ad una lunghezza adatta. Cordicelle di fissaggio che girino con la cappa possono far presa sulle dita dell'operatore oppure rimanere impigliate nel pezzo in lavorazione.*

AVVERTENZE DI PERICOLO SPECIFICHE PER LAVORI CON CARTA A VETRO

- a. **Tenere presente che la spazzola metallica perde pezzi di fil di ferro anche durante il comune impiego.** **Non sottoporre i fili metallici a carico troppo elevato esercitando una pressione troppo alta.** *Pezzi di fil di ferro scaraventati per l'aria possono penetrare molto facilmente attraverso indumenti sottili e/o la pelle.*
- b. **Impiegando una calotta di protezione si impedisce che la calotta di protezione e la spazzola metallica possano toccarsi.** *I diametri delle spazzole a disco e delle spazzole a tazza possono essere aumentati attraverso forze di pressione e tramite l'azione di forze centrifugali.*

AVVERTENZE DI SICUREZZA SPECIFICHE DELLA MACCHINA

- a. **Utilizzare l'elettrotensile esclusivamente per levigatura a secco.** *La penetrazione di acqua in un elettrotensile aumenta il rischio di una scossa elettrica.*

- b. Tenere le mani sempre lontane dalla zona operativa. **Mai afferrare con le mani la parte inferiore del pezzo in lavorazione.** *Toccando la lama vi è un serio rischio di incidente.*
- c. **Al fine di rilevare linee di alimentazione nascoste, utilizzare adatte apparecchiature di ricerca oppure rivolgersi alla locale società erogatrice.** *Un contatto con linee elettriche può provocare lo sviluppo di incendi e di scosse elettriche. Danneggiando linee del gas si può creare il pericolo di esplosioni. Penetrando una tubazione dell'acqua si provocano seri danni materiali oppure vi è il pericolo di provocare una scossa elettrica.*
- d. **Durante le operazioni di lavoro è necessario tenere l'elettrotensile sempre con entrambe le mani ed adottare una posizione di lavoro sicura.** *Utilizzare con sicurezza l'elettrotensile tenendolo sempre con entrambe le mani.*
- e. **Assicurare il pezzo in lavorazione.** *Un pezzo in lavorazione può essere bloccato con sicurezza in posizione solo utilizzando un apposito dispositivo di serraggio oppure una morsa a vite e non tenendolo con la semplice mano.*
- f. **Mantenere pulita la propria zona di lavoro.** *Miscele di materiali di diverso tipo possono risultare particolarmente pericolose. La polvere di metalli leggeri può essere infiammabile ed esplosiva.*
- g. **Portare guanti di protezione quando si sostituiscono gli accessori.** *In caso di uso prolungato, gli accessori si riscaldano.*
- h. **Non trattare la superficie da lavorare con liquidi contenenti solventi.** *A causa del riscaldamento dei materiali durante la raschiatura possono formarsi dei vapori tossici.*
- i. **Utilizzando il raschietto prestare particolare attenzione.** *L'utensile è molto affilato, esiste pericolo di lesioni.*

ATTENZIONE NON LAVORARE MAI CON MATERIALI CONTENENTI AMIANTO (L'AMIANTO È RITENUTO MATERIALE CANCEROGENO).

ATTENZIONE PRENDERE DEI PROVVEDIMENTI APPROPRIATI IN CASO CHE DURANTE IL LAVORO DOVESSERO SVILUPParsi POLVERI DANNOSE PER LA SALUTE, INFIAMMABILI OPPURE ESPLOSIVE (ALCUNE POLVERI SONO CONSIDERATE CANCEROGENE); PORTARE UNA MASCHERA DI PROTEZIONE CONTRO LA POLVERE ED UTILIZZARE UN SISTEMA DI ASPIRAZIONE POLVERE/TRUCIOLI QUANDO È COLLEGATO.

AMBIENTE

SMALTIMENTO

Avviare ad un riciclaggio rispettoso dell'ambiente gli imballaggi, gli elettrotensili e gli accessori dismessi.


SOLO PER I PAESI DELLA CE



Non gettare elettrotensili dismessi tra i rifiuti domestici. Conformemente alla norma della direttiva CE 2002/96 sui rifiuti di apparecchiature elettriche ed elettroniche (RAEE) ed all'attuazione del recepimento nel diritto nazionale, gli elettrotensili diventati inservibili devono essere raccolti separatamente ed essere inviati ad una riutilizzazione ecologica.

DATI TECNICI

DATI TECNICI GENERALI

Tensione nominale	230 V, 50 Hz
Energia dei giri	130W
Velocità dei giri	33000 giri/min
Capacità della pinza	0,8 mm, 1,6 mm, 2,4 mm, 3,2 mm
 Costruzione classe II	Strumenti di costruzione a doppio isolamento

CAVI DI PROLUNGA

Utilizzare esclusivamente cavi di prolunga completamente svolti con portata minima di 5 amp.

DATI TECNICI MOTORE

Questo multiutensile utilizza un motore a velocità variabile. Si collega a una tensione di funzionamento pari a 230 V, 50 Hz. Controllare sempre che l'alimentazione corrisponda al valore indicato sulla targhetta dell'utensile.

MONTAGGIO

SCOLLEGARE SEMPRE IL MULTIUTENSILE PRIMA DI SOSTITUIRE GLI ACCESSORI, I MANDRINI O DI PROCEDERE A OPERAZIONI DI MANUTENZIONE.

GENERALE

Il multiutensile Dremel è uno strumento di precisione di alta qualità, adatto per lavori dettagliati e complessi. La vasta gamma di accessori e complementi Dremel permette di svolgere i più svariati lavori. Tra questi, levigatura, intaglio, incisione e fresatura, taglio, pulitura e lucidatura.

FIGURA 1

- A. Ghiera di serraggio
- B. Pinza
- C. Chiave integrata/copripunta EZ Twist™
- D. Pulsante di blocco albero
- E. Interruttore on/off
- F. Gancio
- G. Cavo
- H. Aperture di aerazione
- I. Coperchio spazzola (su entrambi i lati)
- J. Aperture di aerazione

PINZE

Gli accessori Dremel previsti per il multiutensile hanno gambi di diverse dimensioni. Sono disponibili quattro pinze di dimensioni diverse per le varie dimensioni dei gambi. Le dimensioni delle pinze sono identificate dagli anelli presenti alla base delle pinze stesse.

FIGURA 2

- K. Pinza da 3,2 mm senza anello (480)
- L. Pinza da 2,4 mm con tre anelli (481)
- M. Pinza da 1,6 mm con due anelli (482)
- N. Pinza da 0,8 mm con un anello (483)

N.B.: Alcuni kit multiutensile possono non includere le pinze nelle quattro dimensioni. Le pinze sono comunque disponibili separatamente.

Usare sempre la pinza che si adatta alle dimensioni del gambo e dell'accessorio che si intende usare. Non forzare un accessorio con gambo di diametro superiore della pinza.

SOSTITUZIONE PINZE

FIGURA 3

- O. Pulsante di blocco albero
- P. Ghiera di serraggio
- Q. Allentare
- R. Serrare
- S. Chiave di serraggio

1. Premere il pulsante di blocco dell'albero e, tenendolo premuto, ruotare l'albero a mano fino a che non si blocca. Non azionare il pulsante di blocco dell'albero mentre il multiutensile sta girando.
2. A pulsante di blocco dell'albero azionato, svitare e smontare la ghiera della pinza. Se necessario utilizzare la chiave di serraggio.
3. Estrarre la pinza liberandola dall'albero.
4. Inserire la pinza della dimensione desiderata nell'albero e serrare la ghiera di serraggio. Non serrare completamente la ghiera in assenza di punta o accessorio.

SOSTITUZIONE ACCESSORI

FIGURA 3/5

1. Premere il pulsante di blocco dell'albero e ruotare l'albero a mano fino a che non si aggancia al bloccaggio dell'albero. Non azionare il pulsante di blocco dell'albero mentre il multiutensile sta girando.
2. A pulsante di blocco dell'albero azionato, allentare (ma non rimuovere) la ghiera di serraggio. Se necessario utilizzare la chiave di serraggio.
3. Inserire il gambo della punta o dell'accessorio interamente nella pinza.
4. A pulsante di blocco dell'albero azionato, serrare la ghiera di serraggio fino a che il gambo della punta/accessorio non è bloccato.

N.B.: leggere le istruzioni fornite con gli accessori Dremel per ulteriori informazioni sull'utilizzo.

Utilizzare esclusivamente accessori Dremel testati e ad elevate prestazioni.

CHIAVE INTEGRATA/COPRIPUNTA EZ TWIST™

FIGURA 4/5

T. Chiave integrata/copripunta EZ Twist™

Il copripunta dell'elettrotensile è dotato di una chiave integrata che consente di allentare e serrare la ghiera di serraggio senza l'utilizzo di una chiave di serraggio standard.

1. Svitare il copripunta dall'elettrotensile, allineare l'inserto in acciaio all'interno del copripunta con la ghiera di serraggio.
2. Con il blocco dell'albero azionato, ruotare il copripunta in senso antiorario per allentare la ghiera di serraggio. Non azionare il pulsante di blocco dell'albero mentre il multiutensile sta girando.
3. Inserire il gambo della punta o dell'accessorio interamente nella pinza.
4. Con il blocco dell'albero azionato, ruotare il copripunta in senso orario per serrare la ghiera di serraggio.
5. Riavvitare il copripunta nella posizione originale.

N.B.: leggere le istruzioni fornite con gli accessori Dremel per ulteriori informazioni sull'utilizzo.

Utilizzare esclusivamente accessori Dremel testati e ad elevate prestazioni.

PER INZIARE

USO

Prima di utilizzare il multiutensile è necessario "conoscerlo". Impugnarlo e valutarne il peso e il bilanciamento. Si prenda confidenza con l'estremità affusolata dell'utensile. E' questa parte che permette di impugnarlo come una penna o una matita. L'impugnatura morbida garantisce comfort e controllo durante la lavorazione.

Tenere sempre l'utensile lontano dal volto. Gli accessori potrebbero essere stati danneggiati durante la spedizione e potrebbero volar via ruotando ad alta velocità.

Nel maneggiare l'utensile evitare di coprire con le mani le aperture di aerazione. Se si bloccano le aperture di aerazione, il motore potrebbe surriscaldarsi.

IMPORTANTE! Fare prima una prova su uno scarto di materiale, al fine di vedere l'azione ad alta velocità dell'utensile. Ricordare che le prestazioni del multiutensile sono migliori se si permette alla velocità, insieme agli accessori e ai complementi Dremel più adatti, di svolgere completamente il lavoro. Se possibile non fare pressione sull'utensile in fase di utilizzo. Al contrario, appoggiare con cautela l'accessorio in rotazione sulla superficie di lavoro portandolo in contatto con il punto in corrispondenza del quale si vuole iniziare. Concentrarsi sulla guida dell'utensile sul lavoro, applicando una pressione minima della mano. Lasciare che l'accessorio realizzi il lavoro.

Di solito è meglio realizzare il lavoro con l'utensile a più riprese anziché completarlo con un solo passaggio. Un tocco leggero garantisce un migliore controllo e riduce le possibilità di errore. Per un migliore controllo in lavori di precisione, impugnare il

multiutensile come una penna tra pollice e indice. FIGURA 6
La presa "a mazza da golf" viene solitamente utilizzata per lavori più pesanti, quali levigatura o taglio. FIGURA 7

VELOCITÀ SELEZIONABILI

Questo utensile è un multiutensile ad alta velocità. La velocità è compresa tra 10000 e 33000 giri/min. Regolare il numero di giri al minuto in base al progetto per ottenere risultati finali migliori. Per ottenere i risultati migliori lavorando con materiali diversi, regolare il comando di regolazione della velocità in modo ottimale in base al progetto. Per selezionare la velocità corretta per l'accessorio in uso, fare prima una prova su un pezzo di materiale.

Le impostazioni dell'interruttore del multiutensile 3000 sono indicate sul comando di regolazione della velocità. Vedere la tabella Impostazioni di velocità a pagina 4-7 per individuare la velocità più adatta in base al materiale di lavoro e all'accessorio utilizzato.

E' possibile svolgere molti lavori con l'utensile regolato alla massima velocità. Tuttavia, alcuni materiali (alcuni tipi di plastica e metallo) possono danneggiarsi per il calore generato dall'alta velocità e dovrebbero pertanto essere lavorati a basse velocità. Le basse velocità (15000 giri/min o meno) sono generalmente adatte per interventi di lucidatura con accessori di lucidatura in feltro. In caso di utilizzo di spazzole, le velocità devono essere basse per evitare scariche dal manico. Lasciare che l'utensile lavori per voi alle basse velocità. Le velocità più alte sono ideali per legni duri, metalli e vetro, oltre che per interventi di foratura, intaglio, taglio, fresatura, formatura e taglio di dadi e battute in legno. Le regolazioni giri/minuto sono le seguenti:

Impostazioni dei giri/minuto approssimativi sull'utensile rotante a velocità variabile modello 3000.

Impostazione	Gamma di velocità
1-2	10000-14000 giri/min
3-4	15000-19000 giri/min
5-6	20000-23000 giri/min
7-8	24000-28000 giri/min
9-10	29000-33000 giri/min

Alcune indicazioni sulla velocità dell'utensile:

- La plastica e i materiali che fondono a basse temperature devono essere lavorati a bassa velocità.
- Lucidatura e pulitura con spazzola metallica devono essere eseguite solo con l'interruttore in posizione 1 per non danneggiare la spazzola e il materiale.
- Il legno deve essere lavorato a velocità elevata.
- Il ferro e l'acciaio devono essere lavorati a velocità elevata.
- Se un utensile da taglio in acciaio ad alta velocità inizia a vibrare, solitamente ciò significa che è stata selezionata una velocità troppo bassa.
- L'alluminio, il rame, le leghe di piombo, le leghe di zinco e lo stagno possono essere lavorati a velocità diverse, a seconda del tipo di lavorazione che si deve eseguire. Usare paraffina (non acqua) o altro lubrificante adatto sull'utensile di taglio per evitare che il materiale asportato aderisca al tagliente.

N.B.: aumentare la pressione sull'utensile se non taglia come si vorrebbe, non risolve il problema. Provare ad utilizzare un accessorio o una regolazione della velocità diversi per ottenere i risultati desiderati.

MANUTENZIONE

La manutenzione preventiva eseguita da personale non autorizzato può causare l'errato posizionamento di componenti e dei cavi interni con possibili gravi rischi per le persone. Raccomandiamo che l'assistenza sugli utensili sia eseguita presso i centri di assistenza autorizzati Dremel. Per evitare incidenti dovuti ad avvio non previsto o scariche elettriche, scollegare sempre la spina dalla presa di corrente prima di qualsiasi intervento manutentivo o di pulitura.

SPAZZOLE AL CARBONIO

Le spazzole dell'utensile sono state progettate per durare a lungo. Per preparare le spazzole all'uso, azionare l'utensile a velocità massima per 5 minuti senza carico. Questo permetterà alle spazzole di "inserirsi" in modo corretto aumentando di conseguenza la vita dell'utensile. Per conservare il motore al massimo grado di efficienza, controllare le spazzole ogni 40-50 ore per verificarne il grado di usura.

L'utilizzo dell'utensile con spazzole usurate danneggia in modo permanente il motore. Utilizzare esclusivamente spazzole originali Dremel. Controllare le spazzole del multiutensile dopo 40-50 ore di utilizzo. Se il multiutensile funziona in modo discontinuo, perde potenza e produce rumori insoliti, controllare lo stato di usura delle spazzole ed eventualmente sostituirle. Seguire quanto indicato di seguito per controllare/sostituire le spazzole del multiutensile:

1. A cavo di alimentazione scollegato, posizionare l'utensile su una superficie pulita. Usare la chiave utensile come cacciavite per rimuovere i cappucci delle spazzole. FIGURA 8
2. Rimuovere le spazzole tirando la molla collegata alla spazzola in carbonio. Se la lunghezza della spazzola è inferiore a 3 mm e la superficie della spazzola a contatto con il commutatore è ruvida o vaiolata, sostituire le spazzole in carbonio. Controllare entrambe le spazzole. FIGURA 9
3. Se una spazzola è usurata, sostituire entrambe le spazzole per una migliore prestazione dell'utensile. Estrarre la molla dalla spazzola, eliminare la vecchia spazzola e inserire la molla su una nuova.
4. Reinserrire la spazzola in carbonio e la molla nell'utensile: la spazzola si inserisce correttamente solo in una posizione.
5. Sostituire il cappuccio delle spazzole sull'utensile ruotandolo in senso orario. Per serrare utilizzare la chiave, ma non SERRARE ECCESSIVAMENTE! Dopo aver sostituito le spazzole, posizionare l'utensile su una superficie pulita e azionarlo a massima velocità per 5 minuti in assenza di carico o prima di utilizzarlo. Questo permetterà alle spazzole di "inserirsi" in modo corretto e vi darà un maggior numero di ore di vita da ogni set di spazzole. Inoltre estenderà la durata dell'elettrotensile poiché anche la superficie del commutatore avrà una tenuta migliore e più lunga.

COME PULIRE L'UTENSILE

SCOLLEGARE LA SPINA PRIMA DI PROCEDERE ALLA PULIZIA

Le aperture di aerazione e le leve degli interruttori devono essere tenute pulite e libere da corpi estranei. Non cercare di pulire inserendo oggetti appuntiti attraverso le aperture.

L'utensile può essere pulito a fondo usando aria compressa.

Quando si puliscono gli utensili con aria compressa indossare sempre occhiali di sicurezza.

Non occorre lubrificare il multiutensile Dremel.

Alcuni prodotti e solventi per la pulizia danneggiano i componenti in plastica. Tra questi ci sono la benzina, il tetracloruro di carbonio, i solventi clorinati, l'ammoniaca e i detergenti per uso domestico a base di ammoniaca.

Pulire l'area di "presa morbida" dell'utensile con un panno umido.

Le aree più dure possono richiedere più di una passata per diventare pulite.

ASSISTENZA E GARANZIA

Questo prodotto DREMEL è garantito come da disposizioni normative/nazionali; eventuali danni dovuti a normale usura, sovraccarico o utilizzo improprio non sono coperti da garanzia.

In caso di reclamo, inviare al rivenditore l'utensile non disassemblato unitamente alla prova di acquisto.

CONTATTO DREMEL

Per ulteriori informazioni sulla gamma di prodotti Dremel, supporto e numero verde, visitare il sito www.dremel.com

Dremel Europe, P.O. Box 3267, 4800 DG Breda, Paesi Bassi

NL

VERTALING VAN DE ORIGINELE GEBRUIKSAANWIJZING

GEBRUIKTE SYMBOLEN



LEES DEZE INSTRUCTIES



GEBRUIK GEHOORBESCHERMING



GEBRUIK OOGBESCHERMING



GEBRUIK EEN STOFMASKER

GEREEDSCHAP - ALGEMENE VEILIGHEIDSWAARSCHUWINGEN



LET OP

LEES ALLE VEILIGHEIDSWAARSCHUWINGEN EN ALLE

INSTRUCTIES

Mocht u de onderstaande waarschuwingen en instructies niet opvolgen dan kan er zich mogelijk een elektrische schok voordoen of kunt u brandwonden en/of ernstig letsel oplopen.

Bewaar alle waarschuwingen en instructies als referentiemateriaal.

De term "elektrisch gereedschap" in alle onderstaande waarschuwingen duidt op een elektrisch apparaat dat door het net (met een snoer) of door een accu (draadloos) wordt aangedreven.

VEILIGHEID VAN DE WERKPLEK

- Houd uw werkomgeving schoon en goed verlicht.** Een rommelige of onverlichte werkomgeving kan tot ongevallen leiden.
- Gebruik het gereedschap niet in een omgeving met explosiegevaar waarin zich brandbare vloeistoffen, brandbare gassen of brandbaar stof bevinden.** Elektrische gereedschappen veroorzaken vonken die het stof of de dampen tot ontsteking kunnen brengen.
- Houd kinderen en andere personen tijdens het gebruik van het elektrische gereedschap uit de buurt.** Indien u wordt afgeleid kunt u de controle over het gereedschap verliezen.

ELEKTRISCHE VEILIGHEID

- De aansluitstekker van het gereedschap moet in het stopcontact passen.** De stekker mag in geen geval worden veranderd. Gebruik geen adapterstekkers in combinatie met geaarde gereedschappen. Onveranderde stekkers en passende stopcontacten beperken het risico van een elektrische schok.
- Voorkom aanraking van het lichaam met geaarde oppervlakken, zoals buizen, verwarmingen, fornuizen en koelkasten.** Er bestaat een verhoogd risico op een elektrische schok wanneer uw lichaam geaard is.
- Houd het gereedschap uit de buurt van regen en vocht.** Het binnendringen van water in het elektrische gereedschap vergroot het risico van een elektrische schok.
- Gebruik de kabel niet voor een verkeerd doel.** Gebruik de kabel niet om het gereedschap te dragen of op te hangen of om de stekker uit het stopcontact te trekken. Houd de kabel uit de buurt van hitte, olie, scherpe randen en bewegende gereedschapsdelen. Beschadigde of in de war geraakte kabels vergroten het risico van een elektrische schok.
- Wanneer u buitenshuis met elektrisch gereedschap werkt, dient u alleen verlengkabels te gebruiken die voor gebruik buitenshuis zijn goedgekeurd.** Het gebruik van een voor gebruik buitenshuis geschikte verlengkabel beperkt het risico van een elektrische schok.
- Als u het gereedschap noodgedwongen in een vochtige ruimte moet gebruiken, gebruikt u een aardlekschakelaar**

ter beveiliging. Het gebruik van een aardlekschakelaar vermindert het risico van een elektrische schok.

VEILIGHEID VAN PERSONEN

- a. **Wees alert, let goed op wat u doet en ga met verstand te werk bij het gebruik van het elektrische gereedschap.** Gebruik het gereedschap niet wanneer u moe bent of onder invloed staat van drugs, alcohol of medicijnen. *Een moment van onoplettendheid bij het gebruik van het gereedschap kan tot ernstige verwondingen leiden.*
- b. **Draag persoonlijke beschermende uitrusting. Draag altijd een veiligheidsbril.** Het dragen van persoonlijke beschermende uitrusting zoals een stofmasker, slipvastes werkschoenen, een veiligheidshelm of gehoorbescherming, afhankelijk van de aard en het gebruik van het elektrische gereedschap, vermindert het risico van verwondingen.
- c. **Voorkom onbedoeld inschakelen van het gereedschap.** Controleer dat het elektrische gereedschap uitgeschakeld is voordat u de stekker en/of de accu aansluit, het gereedschap optilt of verplaatst. *Wanneer u bij het dragen van het gereedschap uw vinger aan de schakelaar hebt of wanneer u het gereedschap ingeschakeld op de stroomvoorziening aansluit, kan dit tot ongevallen leiden.*
- d. **Verwijder instelgereedschappen of schroefleutels voordat u het gereedschap inschakelt.** *Een instelgereedschap of sleutel in een draaiend deel van het gereedschap kan tot verwondingen leiden.*
- e. **Overschat u zelf niet. Zorg ervoor dat u stevig staat en steeds in evenwicht blijft.** *Daardoor kunt u het gereedschap in onverwachte situaties beter onder controle houden.*
- f. **Draag geschikte kleding. Draag geen loshangende kleding of sieraden.** Houd haren, kleding en handschoenen uit de buurt van bewegende delen. *Loshangende kleding, lange haren en sieraden kunnen door bewegende delen worden meegenomen.*
- g. **Wanneer stofafzuigings- of stofopvangvoorzieningen kunnen worden gemonteerd, dient u zich ervan te verzekeren dat deze zijn aangesloten en juist worden gebruikt.** *Het gebruik van deze voorzieningen beperkt het gevaar door stof.*

ZORGVULDIGE OMGANG MET EN ZORGVULDIG GEBRUIK VAN ELEKTRISCHE GEREEDSCHAPPEN

- a. **Overbelast het gereedschap niet. Gebruik voor uw werkzaamheden het daarvoor bestemde elektrische gereedschap.** *Met het passende elektrische gereedschap werkt u beter en veiliger binnen het aangegeven capaciteitsbereik.*
- b. **Gebruik geen elektrisch gereedschap waarvan de schakelaar defect is.** *Elektrisch gereedschap dat niet meer kan worden in- of uitgeschakeld, is gevaarlijk en moet worden gerepareerd.*
- c. **Trek de stekker uit het stopcontact of neem de accu uit het elektrische gereedschap voordat u het gereedschap instelt, toebehoren wisselt of het gereedschap weglegt.** *Deze voorzorgsmaatregel voorkomt onbedoeld starten van het gereedschap.*

- d. **Bewaar niet-gebruikte elektrische gereedschappen buiten bereik van kinderen.** Laat het gereedschap niet gebruiken door personen die er niet mee vertrouwd zijn en deze aanwijzingen niet hebben gelezen. *Elektrische gereedschappen zijn gevaarlijk wanneer deze door onervaren personen worden gebruikt.*
- e. **Verzorg het gereedschap zorgvuldig. Controleer of bewegende delen van het gereedschap correct functioneren en niet vastklemmen en of onderdelen zodanig gebroken of beschadigd zijn dat de werking van het gereedschap nadelig wordt beïnvloed.** Laat deze beschadigde onderdelen voor het gebruik repareren. *Veel ongevallen hebben hun oorzaak in slecht onderhouden van elektrische gereedschappen.*
- f. **Houd snijdende inzetgereedschappen scherp en schoon.** *Zorgvuldig onderhouden snijdende inzetgereedschappen met scherpe snijkanten klemmen minder snel vast en zijn gemakkelijker te geleiden.*
- g. **Gebruik elektrisch gereedschap, toebehoren, inzetgereedschappen en dergelijke volgens deze aanwijzingen.** Let daarbij op de arbeidsomstandigheden en de uit te voeren werkzaamheden. *Het gebruik van elektrische gereedschappen voor andere dan de voorziene toepassingen kan tot gevaarlijke situaties leiden.*

ONDERHOUD

- a. **Laat het gereedschap alleen repareren door gekwalificeerd en vakkundig personeel en alleen met originele vervangingsonderdelen.** *Daarmee wordt gewaarborgd dat de veiligheid van het gereedschap in stand blijft.*

VEILIGHEIDSVOORSCHRIFTEN VOOR ALLE TOEPASSINGEN

ALGEMENE WAARSCHUWINGEN VOOR SLIJPEN, SCHUREN, BORSTELLEN, POLIJSTEN OF DOORSLIJPEN

- a. **Dit elektrische gereedschap is bestemd voor gebruik als slijpmachine, schuurmachine, borstelmaschine, polijstmachine of doorslijpmachine.** Neem alle waarschuwingen, aanwijzingen, afbeeldingen en gegevens die u bij het elektrische gereedschap ontvangt in acht. *Als u de volgende aanwijzingen niet in acht neemt, kunnen een elektrische schok, brand en/of ernstig letsel het gevolg zijn.*
- b. **Gebruik uitsluitend toebehoren dat door de fabrikant speciaal voor dit elektrische gereedschap is voorzien en geadviseerd.** Gebruik uitsluitend toebehoren dat door de fabrikant speciaal voor dit elektrische gereedschap is voorzien en geadviseerd. *Het feit dat u het toebehoren aan het elektrische gereedschap kunt bevestigen, waarborgt nog geen veilig gebruik.*
- c. **Het toegestane toerental van het inzetgereedschap moet minstens zo hoog zijn als het maximale toerental dat op het elektrische gereedschap is aangegeven.** *Toebehoren*

- dat sneller draait dan is toegestaan, kan onherstelbaar worden beschadigd.*
- d. **De buitendiameter en de dikte van het inzetgereedschap moeten overeenkomen met de maatgegevens van het elektrische gereedschap.** *Inzetgereedschappen met onjuiste afmetingen kunnen niet voldoende afgeschermd of gecontroleerd worden.*
 - e. **Slijpschijven, flenzen, steunschijven en ander toebehoren moeten nauwkeurig op de uitgaande as van het elektrische gereedschap passen.** *Inzetgereedschappen die niet nauwkeurig op de uitgaande as van het elektrische gereedschap passen, draaien ongelijkmatig, trillen sterk en kunnen tot het verlies van de controle leiden.*
 - f. **Gebruik geen beschadigde inzetgereedschappen.** **Controleer voor het gebruik altijd inzetgereedschappen zoals slijpschijven op afsplinteringen en scheuren, steunschijven op scheuren of sterke slijtage en draadborstels op losse of gebroken draden.** **Als het elektrische gereedschap of het inzetgereedschap valt, dient u te controleren of het beschadigd is, of gebruik een onbeschadigd inzetgereedschap.** **Als u het inzetgereedschap hebt gecontroleerd en ingezet, laat u het elektrische gereedschap een minuut lang met het maximale toerental lopen.** **Daarbij dient u en dienen andere personen uit de buurt van het ronddraaiende inzetgereedschap te blijven.** *Beschadigde inzetgereedschappen breken meestal gedurende deze testtijd.*
 - g. **Draag persoonlijke beschermende uitrusting.** **Gebruik afhankelijk van de toepassing een volledige gezichtsbescherming, oogbescherming of veiligheidsbril.** **Draag voor zover van toepassing een stofmasker, een gehoorbescherming, werkhandschoenen of een speciaal schort dat kleine slijp- en metaaldeeltjes tegenhoudt.** *Uw ogen moeten worden beschermd tegen wegvliegende deeltjes die bij verschillende toepassingen ontstaan. Een stof- of adembeschermingsmasker moet het bij de toepassing ontstane stof filteren. Als u lang wordt blootgesteld aan luid lawaai, kan uw gehoor worden beschadigd.*
 - h. **Let erop dat andere personen zich op een veilige afstand bevinden van de plaats waar u werkt.** **Iedereen die de werkomgeving betreedt, moet persoonlijke beschermende uitrusting dragen.** *Brokstukken van het werkstuk of gebroken inzetgereedschappen kunnen wegvliegen en verwondingen veroorzaken, ook buiten de directe werkomgeving.*
 - i. **Houd het elektrische gereedschap alleen vast aan de geïsoleerde greepvlakken als u werkzaamheden uitvoert waarbij het inzetgereedschap verborgen stroomleidingen of de eigen netkabel kan raken.** *Contact met een onder spanning staande leiding zet ook de metalen delen van het elektrische gereedschap onder spanning en leidt tot een elektrische schok.*
 - j. **Gebruik klemmen of andere handige accessoires om het werkstuk vast te zetten en te ondersteunen op een stabiele verhoging.** *Als het werkstuk met uw hand vasthoudt of tegen uw lichaam aandrukt, kan het onstabiel worden en kunt u er de controle over verliezen.*
 - k. **Houd de stroomkabel uit de buurt van draaiende inzetgereedschappen.** *Als u de controle over het elektrische gereedschap verliest, kan de stroomkabel worden doorgesneden of meegenomen en uw hand of arm kan in het ronddraaiende inzetgereedschap terecht komen.*
 - l. **Leg het elektrische gereedschap nooit neer voordat het inzetgereedschap volledig tot stilstand is gekomen.** *Het draaiende inzetgereedschap kan in contact komen met het oppervlak, waardoor u de controle over het elektrische gereedschap kunt verliezen.*
 - m. **Laat het elektrische gereedschap niet lopen terwijl u het draagt.** *Uw kleding kan door toevallig contact met het draaiende inzetgereedschap worden meegenomen en het inzetgereedschap kan zich in uw lichaam boren.*
 - n. **Reinig regelmatig de ventilatieopeningen van het elektrische gereedschap.** *De motorventilator trekt stof in de behuizing en een sterke ophoping van metaalstof kan elektrische gevaren veroorzaken.*
 - o. **Gebruik het elektrische gereedschap niet in de buurt van brandbare materialen.** *Vonken kunnen deze materialen ontsteken.*
 - p. **Gebruik geen inzetgereedschappen waarvoor vloeibare koelmiddelen vereist zijn.** *Het gebruik van water of andere vloeibare koelmiddelen kan tot een elektrische schok leiden.*
 - q. **Bewerk geen asbesthoudend materiaal (asbest geldt als kankerverwekkend).**
 - r. **Tref veiligheidsmaatregelen, wanneer er bij werkzaamheden stoffen kunnen ontstaan, die schadelijk voor de gezondheid, brandbaar of explosief zijn (sommige soorten stof gelden als kankerverwekkend); draag een stofmasker en gebruik een afzuiging voor stof en spanen, als deze kan worden aangesloten.**

TERUGSLAG EN BIJBEHORENDE WAARSCHUWINGEN

- Terugslag is de plotselinge reactie als gevolg van een vasthakend of geblokkeerd draaiend inzetgereedschap, zoals een slijpschijf, steunschijf, draadborstel, enz. Vasthaken of blokkeren leidt tot abrupte stilstand van het ronddraaiende inzetgereedschap. Daardoor wordt een ongecontroleerd elektrisch gereedschap tegen de draairichting van het inzetgereedschap versneld op de plaats van de blokkering. Als bijvoorbeeld een slijpschijf in het werkstuk vasthaakt of blokkeert, kan de rand van de slijpschijf die in het werkstuk invalt, zich vastgrijpen. Daardoor kan de slijpschijf uitbreken of een terugslag veroorzaken. De slijpschijf beweegt zich vervolgens naar de bediener toe of van de bediener weg, afhankelijk van de draairichting van de schijf op de plaats van de blokkering. Hierbij kunnen slijpschijven ook breken. Een terugslag is het gevolg van het verkeerd gebruik of onjuiste gebruiksomstandigheden van het elektrische gereedschap. Terugslag kan worden voorkomen door geschikte voorzorgsmaatregelen, zoals hieronder beschreven.
- a. **Houd het elektrische gereedschap goed vast en breng uw lichaam en uw armen in een positie waarin u de terugslagkrachten kunt opvangen.** **Gebruik altijd de extra handgreep, indien aanwezig, om de grootst mogelijke controle te hebben over terugslagkrachten of reactiemomenten bij het op toeren komen.** *De bediener kan door geschikte voorzorgsmaatregelen de terugslag- en reactiekrachten beheersen.*
 - b. **Breng uw hand nooit in de buurt van draaiende**

inzetgereedschappen. *Het inzetgereedschap kan bij de terugslag over uw hand bewegen.*

- c. **Mijd met uw lichaam het gebied waarheen het elektrische gereedschap bij een terugslag wordt bewogen.** *De terugslag drijft het elektrische gereedschap in de richting die tegengesteld is aan de beweging van de slijpschijf op de plaats van de blokkering.*
- d. **Werk bijzonder voorzichtig in de buurt van hoeken, scherpe randen, enz. Voorkom dat inzetgereedschappen van het werkstuk terugspringen en vastklemmen.** *Het ronddraaiende inzetgereedschap neigt er bij hoeken, scherpe randen of wanneer het terugspringt toe om zich vast te klemmen. Dit veroorzaakt een controleverlies of terugslag.*
- e. **Gebruik geen kettingblad of getand zaagblad.** *Zulke inzetgereedschappen veroorzaken vaak een terugslag of het verlies van de controle over het elektrische gereedschap.*

BIJZONDERE WAARSCHUWINGEN VOOR SLIJP- EN DOORSLIJPWERKZAAMHEDEN

- a. **Gebruik uitsluitend het voor het elektrische gereedschap toegestane slijptoebehoren en de voor dit slijptoebehoren voorziene beschermkap.** *Slijptoebehoren dat niet voor het elektrische gereedschap is voorzien, kan niet voldoende worden afgeschermd en is niet veilig.*
- b. **Slijptoebehoren mag alleen worden gebruikt voor de geadviseerde toepassingsmogelijkheden. Bijvoorbeeld: slijp nooit met het zijvlak van een doorslijpschijf.** *Doorslijpschijven zijn bestemd voor materiaalafname met de rand van de schijf. Een zijwaartse krachtinwerking op dit slijptoebehoren kan het toebehoren breken.*
- c. **Gebruik altijd onbeschadigde spanflenzen in de juiste maat en vorm voor de door u gekozen slijpschijf.** *Geschikte flenzen steunen de slijpschijf en verminderen zo het gevaar van een slijpschijfbreuk. Flenzen voor doorslijpschijven kunnen verschillen van de flenzen voor andere slijpschijven.*
- d. **Gebruik geen versleten slijpschijven van grotere elektrische gereedschappen.** *Slijpschijven voor grotere elektrische gereedschappen zijn niet geconstrueerd voor de hogere toerentallen van kleinere elektrische gereedschappen en kunnen breken.*

OVERIGE BIJZONDERE WAARSCHUWINGEN VOOR DOORSLIJPWERKZAAMHEDEN

- a. **V voorkom blokkeren van de doorslijpschijf en te hoge aandrukkracht. Slijp niet overmatig diep.** *Een overbelasting van de doorslijpschijf vergroot de slijtage en de gevoeligheid voor kantelen of blokkeren en daardoor de mogelijkheid van een terugslag of breuk van het slijptoebehoren.*
- b. **Mijd de omgeving voor en achter de ronddraaiende doorslijpschijf.** *Als u de doorslijpschijf in het werkstuk van u weg beweegt, kan in het geval van een terugslag het elektrische gereedschap met de draaiende schijf rechtstreeks naar u toe worden geslingerd.*
- c. **Als de doorslijpschijf vastklemt of als u de werkzaamheden onderbreekt, schakelt u het elektrische gereedschap uit en houdt u het rustig toe de schijf tot stilstand is gekomen. Probeer nooit om de nog draaiende**

doorslijpschijf uit de groef te trekken. Anders kan een terugslag het gevolg zijn. *Stel de oorzaak van het vastklemmen vast en maak deze ongedaan.*

- d. **Schakel het elektrische gereedschap niet opnieuw in zolang het zich in het werkstuk bevindt. Laat de doorslijpschijf eerst het volledige toerental bereiken voordat u het doorslijpen voorzichtig voortzet.** *Anders kan de schijf vasthaken, uit het werkstuk springen of een terugslag veroorzaken.*
- e. **Ondersteun platen of grote werkstukken om het risico van een terugslag door een ingeklemde doorslijpschijf te verminderen.** *Grote werkstukken kunnen onder hun eigen gewicht doorbuigen. Het werkstuk moet aan beide zijden worden ondersteund, vlakbij de slijpgroef en aan de rand.*
- f. **Wees bijzonder voorzichtig bij invallend frezen in bestaande muren of andere plaatsen zonder voldoende zicht.** *De invallende doorslijpschijf kan bij het doorslijpen van gas- of waterleidingen, elektrische leidingen of andere objecten een terugslag veroorzaken.*

BIJZONDERE WAARSCHUWINGEN VOOR SCHUURWERKZAAMHEDEN

- a. **Gebruik geen overmatig groot schuurpapier. Luister naar aanbevelingen van fabrikanten als u het schuurpapier uitkiest.** *Schuurbladen die over de rand van de steunschijf uitsteken, kunnen verwondingen veroorzaken en kunnen tot het blokkeren en scheuren van de schuurbladen en terugslag leiden.*

BIJZONDERE WAARSCHUWINGEN VOOR POLIJSTWERKZAAMHEDEN

- a. **De polijstkap mag geen losse delen hebben, in het bijzonder geen losse bevestigingsnoeren. Maak de bevestigingsnoeren vast of kort deze in.** *Losse, meedraaiende bevestigingsnoeren kunnen uw vingers meenemen of in het werkstuk vasthaken.*

BIJZONDERE WAARSCHUWINGEN VOOR BORSTELWERKZAAMHEDEN

- a. **Houd er rekening mee dat de draadborstel ook tijdens het normale gebruik draadstukken verliest. Overbelast de draden niet door een te hoge aandrukkracht.** *Wegvliegende draadstukken kunnen gemakkelijk door dunne kleding en/of de huid dringen.*
- b. **Als het gebruik van een beschermkap wordt geadviseerd, dient u te voorkomen dat beschermkap en draadborstel elkaar raken.** *Vlakstaal- en komstaalborstels kunnen door aandrukkracht en centrifugaalkrachten hun diameter vergroten.*

GEREEDSCHAPSPECIFIEKE VEILIGHEIDSVORSCHRIFTEN

- a. **Gebruik het elektrische gereedschap alleen voor droog schuren.** *Het binnendringen van water in het elektrische gereedschap vergroot de kans op een elektrische schok.*

ALLEEN VOOR LANDEN VAN DE EU

- b. Houd uw handen uit de buurt van de plaats waar wordt gezaagd. Grijp niet onder het werkstuk. Bij aanraking van het zaagblad bestaat verwondingsgevaar.
- c. Gebruik een geschikt detectieapparaat om verborgen stroom-, gas- of waterleidingen op te sporen of raadpleeg het plaatselijke nutsbedrijf. Contact met elektrische leidingen kan brand of een elektrische schok veroorzaken. Beschadiging van een gasleiding kan een explosie veroorzaken. Breuk van een waterleiding veroorzaakt materiële schade en kan een elektrische schok veroorzaken.
- d. Houd het elektrische gereedschap tijdens de werkzaamheden stevig met beide handen vast en zorg ervoor dat u stevig staat. U kunt het elektrische gereedschap veiliger hanteren met twee handen.
- e. Zet het werkstuk vast. Een met spanvoorzieningen of in een bankschroef vastgehouden werkstuk wordt beter vastgehouden dan u met uw hand kunt doen.
- f. Houd uw werkplek schoon. Materiaalmengsels zijn bijzonder gevaarlijk. Stof van lichte metalen kan ontvlammen of exploderen.
- g. Draag werkhandschoenen bij het wisselen van de inzetgereedschappen. Inzetgereedschappen worden warm bij langdurig gebruik.
- h. Behandel het te bewerken oppervlak niet met oplosmiddelhoudende vloeistoffen. Door de verwarming van de materialen bij het afschrapen kunnen giftige dampen ontstaan.
- i. Wees bij het hanteren van de schrapper bijzonder voorzichtig. Het gereedschap is zeer scherp. Er bestaat verwondingsgevaar.

LET OP BEWERK GEEN ASBESTHOUDEND MATERIAAL (ASBEST GELDT ALS KANKERVERWEKKEND).

LET OP TREF VEILIGHEIDSMATREGELEN, WANNEER ER BIJ WERKZAAMHEDEN STOFFEN KUNNEN ONTSTAAN, DIE SCHADELIJK VOOR DE GEZONDHEID, BRANDBAAR OF EXPLOSIEF ZIJN (SOMMIGE SOORTEN STOF GELDEN ALS KANKERVERWEKKEND); DRAAG EEN STOFMASKER EN GEBRUIK EEN AFZUIGING VOOR STOF EN SPANEN, ALS DEZE KAN WORDEN AANGESLOTEN.

MILIEU

AFVALVERWIJDERING

Elektrische gereedschappen, toebehoren en verpakkingen moeten op een voor het milieu verantwoorde wijze worden hergebruikt.



Gooi elektrische gereedschappen niet bij het huisvuil. Volgens de Europese richtlijn 2002/96/EG over elektrische en elektronische oude apparaten en de omzetting van de richtlijn in nationaal recht moeten niet meer bruikbare elektrische gereedschappen apart worden ingezameld en op een voor het milieu verantwoorde wijze worden hergebruikt.

SPECIFICATIES

ALGEMENE SPECIFICATIES

Spanning	230 V, 50 Hz
Toegestaan vermogen	130W
Toegestane snelheid	33.000 OPM
Capaciteit spantang	0,8 mm, 1,6 mm, 2,4 mm, 3,2 mm
<input checked="" type="checkbox"/> Samenstelling Klasse II Dubbel geïsoleerd bouwgereedschap	

VERLENGKABELS

Gebruik helemaal uitgerolde en veilige verlengkabels met een vermogen van 5A.

MOTORSPECIFICATIES

Dit multigereedschap gebruikt een motor met regelbare hoge snelheid. De motor is geschikt voor gebruik op 230 V, 50 Hz. Controleer altijd of de stroomtoevoer hetzelfde voltage heeft als het voltage dat aangegeven staat op het naamplaatje van het gereedschap.

MONTAGE

TREK ALTIJD EERST DE STEKKER VAN HET MULTIGEREEDSCHAP UIT HET STOPCONTACT, VOORDAT U INZETGEREEDSCHAPPEN OF SPANTANGEN GAAT WISSELEN OF ONDERHOUD AAN HET GEREEDSCHAP GAAT PLEGEN.

ALGEMEEN

Het Dremel-multigereedschap is een precisiegereedschap van hoge kwaliteit dat kan worden gebruikt voor het uitvoeren van gedetailleerde en ingewikkelde toepassingen. Het uitgebreide gamma aan Dremel-accessoires en -hulpstukken stelt u in staat om een grote verscheidenheid aan toepassingen uit te voeren. Deze omvatten toepassingen als schuren, uitsnijdingen maken en graven en frezen, snijden, reinigen en polijsten.

AFBEELDING 1

- A. Spanmoer
- B. Spantang
- C. Afdekplaatje neus met geïntegreerde sleutel EZ Twist™
- D. As-blokkeringsknop
- E. Aan/Uit-schakelaar
- F. Ophangaak
- G. Snoer

- H. Ventilatieopeningen
- I. Borstelkap (één aan elke kant)
- J. Ventilatieopeningen

SPANTANGEN

De voor het multigereedschap beschikbare Dremel-accessoires zijn verkrijgbaar in verschillende schachtmaten. Er zijn vier maten spantangen verkrijgbaar voor de verschillende schachtmaten. De spantangmaten zijn te herkennen aan de ringen op de achterkant van de spantang.

AFBEELDING 2

- K. 3,2 mm spantang zonder ring (480)
- L. 2,4 mm spantang met drie ringen (481)
- M. 1,6 mm spantang met twee ringen (482)
- N. 0,8 mm spantang met één ring (483)

OPMERKING: Het is mogelijk dat sommige multigereedschapsets niet alle vier spantangmaten bevatten. Spantangen zijn apart verkrijgbaar.

Gebruik altijd de spantang die overeenkomt met de maat van de asschacht van het accessoire dat u wilt gaan gebruiken. Probeer niet een schacht met een grotere diameter in een kleinere spantang te duwen.

SPANTANGEN WISSELEN

AFBEELDING 3

- O. As-blokkeringsknop
- P. Spanmoer
- Q. Losdraaien
- R. Vastdraaien
- S. Spantang

1. Druk op de as-blokkeringsknop, houd deze ingedrukt en draai de as met de hand tot de schacht blokkeert. *Druk de as-blokkeringsknop niet in terwijl het multigereedschap draait.*
2. Draai bij ingedrukte as-blokkeringsknop de spanmoer los en verwijder deze. Gebruik indien nodig de spantang.
3. Verwijder de spantang door deze van de as te trekken.
4. Plaats de spantang van het juiste formaat volledig in de as en breng de spanmoer opnieuw handvast aan. Draai de moer niet helemaal vast als er geen accessoire of inzetgereedschap is geplaatst.

ACCESSOIRES WISSELEN

AFBEELDING 3/5

1. Druk op de as-blokkeringsknop en draai de as met de hand tot de schachtblokkering vastklikt. *Druk de as-blokkeringsknop niet in terwijl het multigereedschap draait.*
2. Draai bij ingedrukte as-blokkeringsknop de spanmoer los (maar verwijder deze niet). Gebruik indien nodig de spantang.
3. Plaats de schacht van het accessoire of inzetgereedschap volledig in de spantang.
4. Terwijl de asvergrendeling is ingeschakeld, moet u de spanmoer handvast vastdraaien tot de schacht van het accessoire door de spantang wordt vastgegrepen.

OPMERKING: lees absoluut de bij uw Dremel accessoire meegeleverde instructies voor meer informatie over het gebruik ervan.

Gebruik uitsluitend door Dremel geteste accessoires met groot prestatievermogen.

AFDEKPLAATJE NEUS MET GEÏNTEGREERDE SLEUTEL EZ TWIST™

AFBEELDING 4/5

- T. Afdekplaatje neus met geïntegreerde sleutel EZ Twist™

Het afdekplaatje voor de neus van uw gereedschap heeft een geïntegreerde sleutel waarmee u de spanmoer los en vast kunt draaien zonder een standaard spantang te hoeven gebruiken.

1. Schroef het afdekplaatje voor de neus van het gereedschap af en breng het stalen inzetstuk aan de binnenzijde van het afdekplaatje met de spanmoer in de juiste stand.
2. Terwijl de asvergrendeling is ingeschakeld, draait u het afdekplaatje voor de neus naar links om de spanmoer los te draaien. Druk de as-blokkeringsknop niet in terwijl het multigereedschap draait.
3. Plaats de schacht van het accessoire of inzetgereedschap volledig in de spantang.
4. Terwijl de asvergrendeling is ingeschakeld, draait u het afdekplaatje voor de neus naar rechts om de spanmoer vast te draaien.
5. Schroef het afdekplaatje voor de neus terug op zijn oorspronkelijke plek.

OPMERKING: lees absoluut de bij uw Dremel-accessoire meegeleverde instructies voor meer informatie over het gebruik ervan.

Gebruik uitsluitend door Dremel geteste accessoires met groot prestatievermogen.

EEN GOED BEGIN

GEBRUIK

De eerste stap bij het gebruik van het multigereedschap is u vertrouwd maken met het gereedschap. Houd het gereedschap in uw hand en voel het gewicht en de balans. Voel de taps toelopende behuizing. Door dit tapse toelopen kunt u het gereedschap bijna als een pen of potlood vasthouden. Het unieke softgrip op de neus zorgt voor extra comfort en controle tijdens gebruik.

Houd het gereedschap altijd van uw gezicht af. Accessoires kunnen worden beschadigd tijdens het gebruik en kunnen uit elkaar spatten door het hoge toerental.

Bedenk bij het vasthouden van het gereedschap niet de ventilatieopeningen met uw hand. Blokkeren van de ventilatieopeningen kan leiden tot oververhitting van de motor.

BELANGRIJK! Oefen eerst op een stuk los materiaal om te ervaren hoe het gereedschap onder hoge snelheid reageert. Onthoud dat uw multigereedschap het beste werk levert wanneer u de snelheid, samen met het juiste Dremel-accessoire en juiste hulpstuk, het werk voor u laat doen. Oefen indien mogelijk

tijdens gebruik geen druk uit op het gereedschap. Breng in plaats daarvan het draaiende accessoire lichtjes omlaag naar het oppervlak van het werkstuk en laat de punt daar contact maken waar u wilt beginnen. Geleid vervolgens met zeer lichte druk het gereedschap met de hand over het werk. Laat het accessoire het werk voor u verrichten.

Over het algemeen kunt u het werk beter in verschillende bewerkingsfasen voltooien dan in één enkele bewerking. Een voorzichtige aanpak zorgt voor de beste controle en vermindert de kans op fouten.

Voor de beste controle bij nauwkeurig werk moet u het multigereedschap als een pen tussen duim en wijsvinger houden. AFBEELDING 6

Het vasthouden als een golfclub is de beste methode voor zwaardere bewerkingen zoals slijpen of snijden. AFBEELDING 7

WERKTOERENTALEN

Dit gereedschap is een HS-multigereedschap. De toerentallen ervan variëren van 10.000 tot 33.000 OPM. Wanneer u de omwentelingen per minuut afstelt op uw klus, zorgt dit voor een beter eindresultaat. Stel voor het verkrijgen van de beste resultaten bij het werken met verschillende materialen het variabele toerental in afhankelijk van de betreffende klus. Om de juiste snelheid te kiezen voor het gebruikte accessoire, oefent u eerst op een stuk los materiaal.

De schakelaarstanden van het multigereedschap van de 3000 serie zijn gemarkeerd op de toerentalregelknop. Raadpleeg de tabel met toerentalinstellingen op de pagina's 4-7 om het juiste toerental voor het te bewerken materiaal en het gebruikte accessoire te bepalen.

De meeste klussen kunnen worden uitgevoerd wanneer het gereedschap in de hoogste stand wordt gebruikt. Bepaalde materialen (sommige kunststoffen en metalen) kunnen echter worden beschadigd door de hitte die vrijkomt bij een hoog toerental, en dienen met relatief lage toerentallen te worden bewerkt. Gebruik met een laag toerental (15.000 OPM of minder) is doorgaans het beste voor polijstwerkzaamheden met de polijstaccessoires van vilt. Alle toepassingen met de draadborstel vereisen lagere toerentallen om te voorkomen dat draadstukken uit de houder vliegen. Laat de prestatie van het gereedschap het werk voor u doen bij het gebruik van lagere toerentallen. Hogere toerentallen zijn beter voor hardhout, metalen en glas en voor boren, uitsnijdingen maken, snijden, frezen, frezen van profielen en zagen van plinten of sponningen in hout. De instellingen voor globale omwentelingen per minuut zijn:

De instellingen voor globale omwentelingen per minuut voor het rotatiegereedschap met variabele snelheid model 3000.

Schakelaarstand	Toerental
1-2	10.000-14.000 OPM
3-4	15.000-19.000 OPM
5-6	20.000-23.000 OPM
7-8	24.000-28.000 OPM
9-10	29.000-33.000 OPM

Enkele richtlijnen met betrekking tot het toerental van het gereedschap:

- Kunststof en ander materiaal dat bij lage temperaturen smelt, moet met een laag toerental worden bewerkt.

- Polijsten, poetsen en reinigen met een draadborstel mag slechts in schakelaarstand 1 worden uitgevoerd om schade aan de borstel en uw materiaal te voorkomen.
- Hout moet met een hoog toerental worden gezaagd.
- IJzer of staal moet met een hoog toerental worden gezaagd.
- Als een snelfrees voor staal begint te trillen, wijst dit er gewoonlijk op dat deze te langzaam draait.
- Aluminium, koperlegeringen, zinklegeringen en tin kunnen met verschillende toerentallen worden bewerkt, afhankelijk van het type bewerking dat u wilt uitvoeren. Gebruik een paraffine (geen water) of een ander geschikt smeermiddel om te voorkomen dat er materiaalresten tussen de zaagtanden van de frees gaan zitten.

OPMERKING: Verhoging van de druk op het gereedschap is niet de juiste reactie wanneer het niet correct presteert. Probeer een andere accessoire of een andere toerentalinstelling om het gewenste resultaat te verkrijgen.

ONDERHOUD

Preventief onderhoud dat uitgevoerd wordt door onbevoegd personeel, kan resulteren in het verkeerd terugplaatsen van inwendige draden en onderdelen. Hierdoor kan groot gevaar ontstaan. Wij raden aan om alle onderhoudswerkzaamheden aan het gereedschap te laten uitvoeren door de Dremel-serviceafdeling. Om letsel door onverwacht starten of elektrische schok te vermijden, moet u altijd de stekker uit het stopcontact trekken voordat u onderhouds- of reinigingswerkzaamheden gaat uitvoeren.

KOOLBORSTELS

De koolborstels in uw gereedschap zijn ontworpen voor vele uren betrouwbare dienst. Om de koolborstels voor gebruik voor te bereiden, moet u het gereedschap gedurende 5 minuten onbelast op volle snelheid laten draaien. Hierdoor gaan de koolborstels goed "zitten" en wordt de levensduur van het gereedschap verlengd. Om een optimale prestatie van de motor te behouden, moet u de koolborstels iedere 40-50 uur controleren op slijtage. Gebruik van het gereedschap met versleten koolborstels zorgt voor onherstelbare schade aan de motor. Gebruik uitsluitend originele Dremel-ervangingskoolborstels. Controleer de koolborstels van het multigereedschap na 40-50 gebruiksuren. Als het multigereedschap onregelmatig loopt, kracht verliest of ongewone geluiden maakt, controleer dan de koolborstels op slijtage en vervang deze eventueel. Volg deze stappen voor het controleren/verwisselen van de koolborstels van het multigereedschap:

1. Trek de stekker van het gereedschap uit het stopcontact en leg het gereedschap op een schoon oppervlak. Gebruik de sleutel van het gereedschap als schroevendraaier om de afdekplaatjes van de koolborstels te verwijderen. AFBEELDING 8
2. Verwijder de koolborstels uit het gereedschap door aan de veer te trekken die aan de koolborstel is bevestigd. Als de koolborstel minder dan 3 mm lang is en het oppervlak van de koolborstel dat de collector raakt, ruw of aangevreten is,

OVERSÆTTELSE AF BETJENINGSVEJLEDNING

ANVENDTE SYMBOLER



LÆS DISSE INSTRUKTIONER



BENYTT HØREVÆRN



BENYTT BESKYTTELSESBRILLER



BENYTT STØVMASKE

- moeten de koolborstels worden vervangen. Zorg ervoor dat u beide koolborstels controleert. AFBELDING 9
- Als een koolborstel is versleten, moet u beide koolborstels vervangen voor een betere prestatie van uw multigereedschap. Verwijder de veer van de koolborstel, gooi de oude koolborstel weg en plaats de veer op een nieuwe koolborstel.
 - Zet de koolborstel met de veer terug in het gereedschap; de koolborstel past maar op één manier in het gereedschap.
 - Zet de afdekplaatjes van de koolborstels terug op het gereedschap door het afdekplaatje naar rechts te draaien. Gebruik de sleutel om de afdekplaatjes vast te draaien, maar DRAAI DEZE NIET TE VAST AAN! Na vervangen van de koolborstels moet u het gereedschap onbelast laten lopen; leg het gereedschap op een schoon oppervlak en laat het gedurende 5 minuten op volle snelheid onbelast lopen voordat u het gaat belasten (of gebruiken). Hierdoor gaan de koolborstels goed "zitten" en verlengt u de levensduur van iedere set koolborstels. Zo wordt ook de levensduur van uw gereedschap verlengd, aangezien het oppervlak van de collector dan ook beter en langer meegaat.

HET GEREEDSCHAP REINIGEN

TREK VOOR HET REINIGEN DE STEKKER UIT HET STOPCONTACT

Ventilatieopeningen en schakelaarhendels moeten schoon en vrij van vreemde voorwerpen gehouden worden. Probeer deze niet te reinigen door spitse voorwerpen door de openingen te steken. *Het gereedschap kan eventueel met perslucht worden gereinigd. Draag altijd een veiligheidsbril bij het reinigen van gereedschappen met perslucht.*

Het Dremel-multigereedschap hoeft niet te worden gesmeerd. *Bepaalde reinigings- en oplosmiddelen tasten kunststof onderdelen aan. Enkele van deze zijn: benzine, tetrachloorkoolstof, vloeibaar reinigingsmiddel met chloor, ammonia en huishoudelijke reinigingsmiddelen met ammonia.* Reinig de "softgrip" vlakken van het gereedschap met een vochtige doek. Vlakken die erger zijn verontreinigd, moeten misschien vaker geveegd worden om schoon te worden.

SERVICE EN GARANTIE

Op dit DREMEL-product wordt garantie verleend overeenkomstig de wettelijke/landspecifieke voorschriften; beschadiging naar aanleiding van normale slijtage, overbelasting of onjuiste bediening zijn uitgesloten van de garantie.

Stuur in geval van klachten het gereedschap volledig intact samen met het aankoopbewijs naar het punt van uw aankoop.

CONTACT OPNEMEN MET DREMEL

Ga voor meer informatie over het Dremel-assortiment, support en hotline naar www.dremel.com

Dremel Europe, Postbus 3267, 4800 DG Breda

GENERELLE SIKKERHEDSADVARSLER I RELATION TIL EL-VÆRKTØJ



⚠ ADVARSEL LÆS ALLE SIKKERHEDS-
ADVARSLER OG ALLE

INSTRUKTIONER.

Hvis du undlader at følge advarselne og instruktionerne, kan det forårsage elektrisk stød, brand og/eller alvorlige kvæstelser.

Gem alle advarsler og instruktioner til fremtidig brug.

Betegnelsen "el-værktøj" i advarselne henviser til dit nettilsluttede (kablede) el-værktøj eller batteridrevne (trådløse) el-værktøj.

SIKKERHED PÅ ARBEJDSOMRÅDET

- Sørg for, at arbejdsområdet er rent og ryddeligt.** *Uorden og uplyste arbejdsområder øger faren for uheld.*
- Brug ikke maskinen i eksplosive omgivelser, hvor der er brændbare væsker, gasser eller støv.** *El-værktøj kan slå gnister, der kan antænde støv eller dampe.*
- Sørg for, at andre personer og ikke mindst børn holdes væk fra arbejdsområdet, når maskinen er i brug.** *Hvis man distraheres, kan man miste kontrollen over maskinen.*

ELEKTRISK SIKKERHED

- Maskinens stik skal passe til kontakten. Stikket må under ingen omstændigheder ændres.** *Brug ikke adapterstik sammen med jordforbundne maskiner. Uændrede stik, der passer til kontakterne, nedsætter risikoen for elektrisk stød.*
- Undgå kropskontakt med jordforbundne overflader som f.eks. rør, radiatorer, komfurer og køleskabe.** *Hvis din krop er jordforbundet, øges risikoen for elektrisk stød.*
- Maskinen må ikke udsættes for regn eller fugt.** *Indtrængning af vand i maskinen øger risikoen for elektrisk stød.*
- Kablet må ikke misbruges. Kablet må ikke bruges til at**

- bære, trække maskinen eller til at rykke stikket ud af kontakten. Beskyt kablet mod varme, olie, skarpe kanter eller maskindele, der er i bevægelse. *Beskadigede eller indviklede kabler øger risikoen for elektrisk stød.*
- e. Hvis maskinen benyttes i det fri, må der kun benyttes en forlængerledning, der er godkendt til udendørs brug. *Brug af forlængerledning til udendørs brug nedsætter risikoen for elektrisk stød.*
- f. Hvis maskinen absolut skal benyttes i fugtige omgivelser, skal du bruge et HFI-relæ med beskyttet forsyning. *Brug af et HFI-relæ mindsker risikoen for elektrisk stød.*

PERSONLIG SIKKERHED

- a. Det er vigtigt at være opmærksom, se, hvad man laver, og bruge maskinen fornuftigt. Man bør ikke bruge maskinen, hvis man er træt, har nydt alkohol eller er påvirket af medicin eller euforiserende stoffer. *Få sekundær uopmærksomhed ved brug af maskinen kan føre til alvorlige personskader.*
- b. **Brug personligt beskyttelsesudstyr.** Bær altid beskyttelsesbriller. *Brug af beskyttelsesudstyr som f.eks. støvmaske, skridsikkert fodtøj, hjelm eller høreværn (afhængigt af el-værktøjets type og anvendelsesområde) reducerer risikoen for kvæstelser.*
- c. **Undgå utilsigtet igangsættelse.** Sørg for, at kontakten er slået fra, før maskinen tilsluttes strømforsyningen og/eller batteriet, eller før maskinen håndteres eller bæres. *Undgå at bære maskinen med fingeren på afbryderen og sørg for, at maskinen ikke er tændt, når den sluttes til elnettet, da dette øger risikoen for personskader.*
- d. **Fjern indstillingsværktøj eller skruenøgle, inden maskinen tændes.** *Hvis et stykke værktøj eller en nøgle sidder i en roterende maskindel, er der risiko for personskader.*
- e. **Benyt ikke maskinen i uhenigtsmæssige arbejdsstillinger.** Sørg for at stå sikkert, mens der arbejdes, og kom ikke ud af balance. *Det er derved nemmere at kontrollere maskinen, hvis der skulle opstå uventede situationer.*
- f. **Brug egnet arbejdstøj.** Undgå løse beklædningsgenstande eller smykker. Hold hår, tøj og handsker væk fra dele, der bevæger sig. *Dele, der er i bevægelse, kan gribe fat i løstsiddende tøj, smykker eller langt hår.*
- g. Hvis støvudsugnings- og opsamlingsudstyr kan monteres, er det vigtigt, at dette tilsluttes og benyttes korrekt. *Brug af dette udstyr nedsætter risikoen for personskader som følge af støv.*

OMHYGGELIG BRUG OG HÅNDTERING AF EL-VÆRKTØJ

- a. **Overbelast ikke maskinen.** Brug altid en maskine, der er beregnet til det stykke arbejde, der skal udføres. *Med den rigtige maskine arbejder man bedst og mest sikkert inden for det angivne effektområde.*
- b. **Brug ikke en maskine, hvis afbryder er defekt.** *En maskine, der ikke kan startes og stoppes, er farlig og skal repareres.*
- c. **Tag maskinens stik ud af stikkontakten og/eller batteriet før du foretager justeringer, udskifter tilbehør eller stiller el-værktøj til opbevaring.** *Disse sikkerhedsforanstaltninger forhindrer utilsigtet start af maskinen.*
- d. **Opbevar ubenyttet el-værktøj uden for børns rækkevidde.** *Lad aldrig personer, der ikke er fortrolige med maskinen eller ikke har gennemlæst disse instrukser, benytte maskinen. El-værktøj er farligt, hvis det benyttes af ukyndige personer.*
- e. **Maskinen bør vedligeholdes omhyggeligt.** *Kontrollér om bevægelige dele fungerer korrekt og ikke sidder fast, og om delene er brækket eller beskadiget, således at maskinens funktion påvirkes. Få beskadigede dele repareret, inden maskinen tages i brug. Mange uheld skyldes dårligt vedligeholdte maskiner.*
- f. **Hold skæreværktøjer skarpe og rene.** *Omhyggeligt vedligeholdte skæreværktøjer med skarpe skærekanten sætter sig ikke så hurtigt fast og er nemmere at føre.*
- g. **Brug maskinen, tilbehør, indsatsværktøj osv. iht. disse instruktioner.** *Tag hensyn til arbejdsforholdene og det arbejde, der skal udføres. Hvis værktøjet anvendes til formål, som ligger uden for det fastsatte anvendelsesområde, kan der opstå farlige situationer.*

SERVICE

- a. **Sørg for, at maskinen kun repareres af kvalificerede fagfolk, og at der kun benyttes originale reservedele.** *Dermed sikres størst mulig maskinsikkerhed.*

SIKKERHEDSVEJLEDNING FOR ALT ARBEJDE

FÆLLES ADVARSELSHENVISNINGER TIL SLIBNING, SANDPAPIRSLIBNING, ARBEJDE MED TRÅDBØRSTER, POLERING ELLER SKÆREARBEJDE

- a. Dette el-værktøj kan anvendes som sliber, sandpapisliver, trådbørste, poleringsmaskine og skæremaskine. Læs og overhold alle advarsler, instruktioner, illustrationer og data, som du modtager i forbindelse med el-værktøjet. *Overholder du ikke følgende instruktioner, kan du få elektrisk stød, der kan opstå brand og/eller du kan blive kvæstet alvorligt.*
- b. **Anvend kun tilbehør, hvis det er beregnet til dette el-værktøj og anbefalet af fabrikanten.** *En mulig fastgørelse af tilbehøret til el-værktøjet sikrer ikke en sikker anvendelse.*
- c. **Den tilladte hastighed for indsatsværktøjet skal mindst være så høj som den max. hastighed, der er angivet på el-værktøjet.** *Tilbehør, der drejer hurtigere end tilladt, kan blive ødelagt.*
- d. **Tilbehørets udvendige diameter og tykkelse skal svare til målene på dit el-værktøj.** *Forkert målte indsatsværktøjer kan ikke afskærmes eller kontrolleres tilstrækkeligt.*
- e. **Slibesliver, flanger, slibebagskiver eller andet tilbehør skal passe nøjagtigt til slibespindlen på dit el-værktøj.** *Indsatsværktøj, der ikke passer nøjagtigt på el-værktøjets slibespindel, drejer ujævnt, vibrerer meget stærkt og kan medføre, at man taber kontrollen.*
- f. **Brug ikke el-værktøjet, hvis det er beskadiget.** *Kontrollér*

altid før brug indsatsværktøj som f.eks. slibeskiver for afsplintninger og revner, slibebagskiver for revner, slid eller stærkt slid, trådbørster for løse eller brækkede tråde. Tabes el-værktøjet eller indsatsværktøjet på jorden, skal du kontrollere, om det er beskadiget; anvend evt. et ubeskadiget indsatsværktøj. Når tilbehøret er kontrolleret og indsat, skal du holde dig selv og personer, der befinder sig i nærheden, uden for det niveau, hvor tilbehøret roterer, og lad el-værktøjet køre i et minut ved højeste hastighed. *Beskadiget indsatsværktøj brækker for det meste i denne testtid.*

- g. **Brug personligt beskyttelsesudstyr.** Brug helmaske til ansigtet, øjenværn eller beskyttelsesbriller, afhængigt af det udførte arbejde. Brug afhængigt af arbejdets art støvmaske, høreværn, beskyttelseshandsker eller specialforklæde, der beskytter dig mod små slibe- og materialepartikler fra arbejdsemnet. *Øjnene skal beskyttes mod fremmede genstande, der flyver rundt i luften og som opstår i forbindelse med forskelligt arbejde. Støv- eller åndedrætsmaske skal filtrere det støv, der opstår under arbejdet. Udsættes du for høj støj i længere tid, kan du lide høretab.*
- h. **Sørg for tilstrækkelig afstand til andre personer under arbejdet.** Enhver, der betræder arbejdsområdet, skal bruge personligt beskyttelsesudstyr. *Brudstykker fra emnet eller brækkede indsatsværktøjer kan flyve væk og føre til kvæstelser også uden for det direkte arbejdsområde.*
- i. **Hold altid kun el-værktøjet i de isolerede gribeblader, når du udfører arbejde, hvor tilbehøret kan ramme bøjede strømkabler eller værktøjets eget kabel.** *Kontakt med et spændingsførende kabel sætter også metaldele under spænding, hvilket fører til elektrisk stød.*
- j. **Brug skruetvinger eller en anden praktisk måde at fastgøre eller sikre emnet til en stabil platform.** *At holde emnet i hånden eller mod kroppen giver ikke tilstrækkelig stabilitet eller kontrol med emnet.*
- k. **Hold netkablet væk fra roterende indsatsværktøj.** *Taber du kontrollen over el-værktøjet, kan netkablet skæres over eller rammes, og din hånd eller din arm kan trækkes ind i det roterende indsatsværktøj.*
- l. **Læg aldrig el-værktøjet til side, før indsatsværktøjet står helt stille.** *Det roterende indsatsværktøj kan komme i kontakt med fralægningsfladen, hvorved du kan tabe kontrollen over el-værktøjet.*
- m. **Lad ikke el-værktøjet køre, mens det bæres.** *Dit tøj kan blive fanget ved en tilfældig kontakt med det roterende indsatsværktøj, hvorved indsatsværktøjet kan bore sig ind i din krop.*
- n. **Rengør ventilationsåbningerne på dit el-værktøj med regelmæssige mellemrum.** *Motoren trækker støv ind i huset, og store mængder metalstøv kan være farligt rent elektrisk.*
- o. **Brug ikke el-værktøjet i nærheden af brændbare materialer.** *Gnister kan sætte ild i materialer.*
- p. **Brug ikke indsatsværktøj, der transporterer flydende kølemiddel.** *Brug af vand eller andre flydende kølemidler kan føre til elektrisk stød.*
- q. **Arbejd ikke med asbestholdige materialer (asbest kan fremkalde kræft).**
- r. **De nødvendige sikkerhedsforanstaltninger skal følges, da der kan frembringes støv under arbejdet, som kan være**

sundhedsskadeligt, brandfarligt eller eksplosivt (visse typer kan være kræftfremkaldende). Brug en støvmaske og et støv/spånudkast, hvis dette kan kobles til.

TILBAGESLAG OG TILSVARENDE ADVARSLER

Tilbageslag er en pludselig reaktion, som skyldes, at et roterende indsatsværktøj (slibemaskine, slibebagskive, trådbørste osv.) har sat sig fast eller blokerer. Fastsættelse eller blokering fører til et pludseligt stop af det roterende indsatsværktøj. Derved accelererer et ukontrolleret el-værktøj mod indsatsværktøjets drejerejretning på blokeringsstedet. Sidder f.eks. en slibeskive fast eller blokerer i et emne, kan kanten på slibeskiven, der dykker ned i emnet, blive siddende, hvorved slibeskiven brækker af eller fører til et tilbageslag. Slibeskiven bevæger sig så hen imod eller væk fra betjeningspersonen, afhængigt af skivens drejerejretning på blokeringsstedet. I denne forbindelse kan slibeskiver også brække. Et tilbageslag skyldes forkeert eller fejlbefæftet brug af el-værktøjet. Det kan forhindres ved at træffe egnede sikkerhedsforanstaltninger, der beskrives i det følgende.

- a. **Hold godt fast i el-værktøjet og sørg for at både krop og arme befinder sig i en position, der kan klare tilbageslagskræfterne.** Anvend altid ekstrahåndtaget, hvis et sådant findes, for at have så meget kontrol som muligt over tilbageslagskræfterne eller reaktionsmomenterne, når maskinen krøer op i hastighed. *Betjeningspersonen kan beherske tilbageslags- og reaktionskræfterne med egnede sikkerhedsforanstaltninger.*
- b. **Sørg for at din hånd aldrig kommer i nærheden af de roterende indsatsværktøjer.** *Indsatsværktøjet kan bevæge sig hen over din hånd i forbindelse med et tilbageslag.*
- c. **Undgå at din krop befinder sig i det område, hvor el-værktøjet bevæger sig i forbindelse med et tilbageslag.** *Tilbageslaget driver el-værktøjet i modsat retning af slibeskivens bevægelse på blokeringsstedet.*
- d. **Arbejd særlig forsigtig i områder som f.eks. hjørner, skarpe kanter osv.** Forhindre at indsatsværktøjer slår tilbage fra emnet og sætter sig fast. *Det roterende indsatsværktøj har tendens til at sætte sig fast, når det anvendes i hjørner, skarpe kanter eller hvis det springer tilbage. Dette medfører, at man taber kontrollen eller til tilbageslag.*
- e. **Brug ikke kædesavklinger eller tandede savklinger.** *Sådan indsatsværktøj fører hyppigt til tilbageslag eller at man taber kontrollen over el-værktøjet.*

SÆRLIGE ADVARSELSHENVISNINGER TIL SLIBNING OG SKÆREARBEJDE

- a. **Brug udelukkende slibeskiver/slibestifter, der er godkendt til dit el-værktøj, og den beskyttelsesskærm, der er beregnet til disse slibeskiver/slibestifter.** *Slibeskiver/slibestifter, der ikke er beregnet til el-værktøjet, kan ikke beskyttes tilstrækkeligt og er usikre.*
- b. **Slibeskiver/slibestifter må kun anvendes til de anbefalede formål.** *Slib f.eks. aldrig med sidefladen på en skæreskive. Skæreskiver er bestemt til materialeafslibning med kanten på skiven. Udsættes disse slibeskiver/slibestifter for sidevendt kraftpåvirkning, kan de ødelægges.*
- c. **Anvend altid ubeskadigede spændeflanger i den rigtige**

størrelse og form, der passer til den valgte slibeskive. Egnede flanger støtter slibeskiven og forringer således faren for brud på slibeskiven. Flanger til skæreskiver kan være forskellige fra flanger for andre slibeskiver.

- d. **Brug ikke slidte slibeskiver, der passer til større el-værktøj.** Slibeskiver til større el-værktøj kan brække, da de ikke er egnede til de højere omdrejningstal, som småt el-værktøj arbejder med.

YDERLIGERE SÆRLIGE ADVARSELSHENVISNINGER TIL SKÆREARBEJDE

- a. **Undgå at skæreskiven blokerer eller får for højt modtryk.** Foretag ikke meget dybe snit. Overbelastes skæreskiven, øges skivens belastning og der er større tendens til, at skiven kan sætte sig i klemme eller blokere, hvilket igen kan føre til tilbageslag eller brud på slibeskiven/slibestiften.
- b. **Undgå området for og bag ved den roterende skæreskive.** Bevæger du skæreskiven i emnet væk fra dig selv, kan el-værktøjets roterende skive slynges direkte ind mod dig i tilfælde af et tilbageslag.
- c. **Sidder skæreskiven i klemme eller afbryder du arbejdet, slukkes el-værktøjet og maskinen holdes roligt, til skiven er stoppet.** Forsøg aldrig at trække skæreskiven ud af snittet, mens den roterer, da dette kan føre til et tilbageslag. Lokalisér og afhjælp fejlen.
- d. **Tænd ikke for el-værktøjet, så længe den befinder sig i emnet.** Sørg for at skæreskiven når op på sit fulde omdrejningstal, før du forsigtigt fortsætter snittet. Ellers kan skiven sætte sig i klemme, springe ud af emnet eller forårsage et tilbageslag.
- e. **Understøt plader eller store emner for at reducere risikoen for et tilbageslag som følge af en fastklemt skæreskive.** Store plader kan bøje sig under deres egen vægt. Emnet skal støttes på begge sider, både i nærheden af skæresnittet og ved kanten.
- f. **Vær særlig forsigtig ved „lommensnit“ i bestående vægge eller andre områder, hvor man ikke har direkte indblik.** Den neddykkende skæreskive kan forårsage et tilbageslag, når der skæres i gas- eller vandledninger, elektriske ledninger eller andre genstande.

SÆRLIGE ADVARSELSHENVISNINGER I FORBINDELSE MED SANDPAPIRSLIBNING

- a. **Brug ikke overdimensioneret sandpapir på slibeskiven.** Følg producentens anbefalinger ved valg af sandpapir. Slibepapirer, der rager ud over slibebagskiven, kan føre til kvæstelser eller blokering eller iturivning af slibepapirerne eller til tilbageslag.

SÆRLIGE ADVARSELSHENVISNINGER I FORBINDELSE MED POLERING


- a. **Undgå løse dele på poleringshætten, især fastgørelsessnore.** Afkort fastgørelsessnorene eller gem dem væk. Løse, meddrejende fastgørelsessnore kan gribe fat i dine fingre eller sætte sig fast i arbejdsområdet.

SÆRLIGE ADVARSELSHENVISNINGER I FORBINDELSE MED ARBEJDE MED TRÅDBØRSTER

- a. **Vær opmærksom på, at trådbørsten også taber trådstykker under almindelig brug.** Overbelast ikke trådene med et for stort tryk. Flyvende trådstykker kan meget hurtigt trænge ind under tyndt tøj og/eller huden.
- b. **Anbefales det at bruge en beskyttelseskærm, skal du forhindre, at beskyttelseskærm og trådbørste kan berøre hinanden.** Tallerken- og kopbørster kan øge deres diameter som følge af tryk og centrifugalkraft.

MASKINSPECIFIKKE SIKKERHEDSADVARSLER

- a. **Anvend kun el-værktøjet til tørsavning.** Indtrængning af vand i el-værktøjet øger risikoen for elektrisk stød.
- b. **Hold hænderne væk fra saveområdet.** Stik ikke fingrene ind under emnet. Du kan blive kvæstet, hvis du kommer i kontakt med savklingen.
- c. **Anvend egnede søgeinstrumenter til at finde frem til skjulte forsyningsledninger eller kontakt det lokale forsyningselskab.** Kontakt med elektriske ledninger kan føre til brand og elektrisk stød. Beskadigelse af en gasledning kan føre til eksplosion. Brud på et vandrør kan føre til materiel skade eller elektrisk stød.
- d. **Hold altid maskinen fast med begge hænder og sørg for at stå sikkert under arbejdet.** El-værktøjet føres sikkert med to hænder.
- e. **Sikr emnet.** Et emne holdes bedre fast med spændeordninger eller skruestik end med hånden.
- f. **Renhold arbejdspladsen.** Blandede materialer er særlig farlige. Letmetalstøv kan brænde eller eksplodere.
- g. **Brug beskyttelseshandsker, når indsatsværktøjet skiftes.** Indsatsværktøj bliver varmt, hvis det anvendes i længere tid.
- h. **Behandle ikke den flade, der skal bearbejdes, med opløsningsmiddelholdige væsker.** Giftige dampe kan opstå under skrabearbejdet, da materialerne bliver varme.
- i. **Håndtør skraberens særlig forsigtig.** Værktøjet er meget skarpt, fare for kvæstelser.

 **ADVARSEL** ARBEJD IKKE MED ASBESTHOLDIGE MATERIALER (ASBEST KAN FREMKALDE KRÆFT).

 **ADVARSEL** DE NØDVENDIGE SIKKERHEDSFORANSTALTNINGER SKAL FØLGES, DA DER KAN FREMBRINGES STØV UNDER ARBEJDET, SOM KAN VÆRE SUNDHEDSSKADELIGT, BRANDFARLIGT ELLER EKSPLOSIVT (VISSE TYPER KAN VÆRE KRÆFTFREMKALDENDE). BRUG EN STØVMASKE OG ET STØV/SPÅNUDKAST, HVIS DETTE KAN KOBLES TIL.

BORTSKAFFELSE

El-værktøj, tilbehør og emballage skal genbruges på en miljørigtig måde.

GÆLDER KUN I EU-LANDE




Smid ikke el-værktøj ud sammen med det almindelige husholdningsaffald!

Iht. det europæiske direktiv 2002/96/EF om affald af elektrisk og elektronisk udstyr skal kasseret elektrisk udstyr indsamles separat og genbruges iht. gældende miljøforskrifter.

SPECIFIKATIONER

GENERELLE SPECIFIKATIONER

Nominal spænding	230 V, 50 Hz
Nominal effekt	130W
Nominal hastighed	33000 o/min.
Patronens kapacitet	0,8 mm, 1,6 mm, 2,4 mm, 3,2 mm
 Klasse II-konstruktion	Værktøj med dobbeltisoleret konstruktion

FORLÆNGERLEDNINGER

Brug altid kun sikre forlængerledninger med en kapacitet på 5 ampere, og rul dem helt ud.

MOTORSPECIFIKATIONER

Dette multiværktøj er forsynet med en variabel højhastigheds-motor. Det er konstrueret til anvendelse ved 230 V, 50 Hz. Kontrollér altid, at forsyningsspændingen er den samme som den spænding, der er angivet på værktøjets typeskilt.

MONTERING

TRÆK ALTID MULTIVÆRKTØJETS STIK UD AF STIKKONTAKTEN FØR UDSKIFTNING AF TILBEHØR ELLER SPÆNDEPATRONER ELLER FØR EFTERSYN AF VÆRKTØJET.

GENERELT

Dremels multiværktøj er et førsteklasses præcisionsværktøj, som kan anvendes til detaljerede og krævende opgaver. Med det store udvalg af Dremel-indsatsværktøj og -forsatser kan du udføre en lang række forskellige opgaver. Det kan være opgaver som sandpapirslibning, udskæring, gravering og fræsning, skæring, rensning og polering.

BILLEDE 1

- A. Spændemøtrik
- B. Spændepatron

- C. EZ Twist™ integreret skrueøgle/næsedæksel
- D. Knap til aksellås
- E. Tænd/Slukknap
- F. Ophæng
- G. Kabel
- H. Luftåbninger
- I. Børstedæksel (et på hver side)
- J. Luftåbninger

SPÆNDEPATRONER

Dremel tilbehøret til multiværktøjet fås med forskellige skaftstørrelser. Spændepatronerne fås i fire størrelser, der passer til de forskellige skaftdiametre. Spændepatronsstørrelserne kan identificeres ved hjælp af ringene bag på spændepatronen.

BILLEDE 2

- K. 3,2 mm spændepatron uden ring (480)
- L. 2,4 mm spændepatron med tre ringe (481)
- M. 1,6 mm spændepatron med to ringe (482)
- N. 0,8 mm spændepatron med én ring (483)

BEMÆRK: Nogle multiværktøjssæt indeholder muligvis ikke alle fire spændepatronsstørrelser. Spændepatronerne fås enkeltvis.

Brug altid den spændepatron, som svarer til størrelsen på skaftet for det tilbehør, der skal bruges. Forsøg ikke at presse et værktøj med en større skaftdiameter ned i en mindre spændepatron.

UDSKIFTNING AF SPÆNDEPATRONER

BILLEDE 3

- O. Knap til aksellås
- P. Spændemøtrik
- Q. Løsne
- R. Spænde
- S. Spændenøgle

- Tryk på knappen til aksellåsen, hold den nede, og drej skaftet med hånden, indtil knappen går i indgreb på akslen. *Bring ikke knappen til aksellåsen i indgreb, når multiværktøjet kører.*
- Bring knappen til aksellåsen i indgreb, og løs og fjern spændemøtrikken. Brug om nødvendigt spændenøglen.
- Fjern spændepatronen ved at trække den fri af skaftet.
- Monter spændepatronen med den korrekte størrelse på skaftet, genmonter spændemøtrikken, og spænd den til med fingrene. Spænd ikke møtrikken helt, så længe der ikke er isat en bit eller et tilbehør.

UDSKIFTNING AF TILBEHØR

BILLEDE 3/5

- Tryk på knappen til aksellåsen, og drej skaftet med hånden, indtil knaplåsen går i indgreb. *Bring ikke knappen til aksellåsen i indgreb, når multiværktøjet kører.*
- Bring knappen til aksellåsen i indgreb, og løs (men fjern ikke) spændemøtrikken. Brug om nødvendigt spændenøglen.
- Skub bitten eller tilbehørsskaftet helt ind i spændepatronen.
- Bring knappen til aksellåsen i indgreb, og spænd

spændemøtrikken til med fingrene, indtil spændepatronen har fat om bittene eller tilbehørets skaff.

BEMÆRK: Husk at læse den vejledning, der følger med dit Dremel tilbehør, for at få yderligere oplysninger om brugen af dette.

Anvend kun højtydende tilbehør testet af Dremel.

EZ TWIST™ INTEGRERET SKRUENØGLE/ NÆSEDÆKSEL

BILLEDE 4/5

T. EZ Twist™ integreret skruenøgle/næsedæksel

Næsedækslet på værktøjet har en integreret skruenøgle, så du kan løse og spænde spændemøtrikken uden brug af standardspændenøglen.

1. Skru dækslet af værktøjet, og anbring metalindsatsen indvendigt i dækslet med spændemøtrikken.
2. Bring aksellåsen i indgreb, og drej næsedækslet mod uret for at løse spændemøtrikken. Bring ikke knappen til aksellåsen i indgreb, når multiværktøjet kører.
3. Skub bittene eller tilbehørsskaffet helt ind i spændepatronen.
4. Bring aksellåsen i indgreb, og drej næsedækslet med uret for at spænde spændemøtrikken.
5. Skru næsedækslet tilbage i den oprindelige position.

BEMÆRK: Husk at læse den vejledning, der følger med dit Dremel tilbehør, for at få yderligere oplysninger om brugen af dette.

Anvend kun højtydende tilbehør testet af Dremel.

INTRODUKTION

BRUG

Første trin i brugen af multiværktøjet er at få "føling" med værktøjet. Hold det i hænderne, og mærk dets vægt og balance. Mærk kabinetets konusform. Konusformen gør det meget lettere at tage fat i værktøjet, som var det en kuglepen eller en blyant. Værktøjets enestående udformning (softgrip) giver ekstra komfort og kontrol over værktøjet ved brug.

Hold altid værktøjet, så det vender væk fra ansigtet. Tilbehør kan blive beskadiget ved håndtering og kan slynges væk i flere stykker, når hastigheden øges.

Værktøjet skal holdes, så du ikke blokerer luftåbningerne med hånden. Hvis luftåbningerne blokeres, kan motoren blive overophedet.

VIGTIGT! Øv dig først på et overflødig stykke materiale for at se, hvordan værktøjet fungerer, når det kører med høj hastighed. Husk, at multiværktøjets ydelse er optimal, når hastigheden i samarbejde med det rette Dremel tilbehør og de rette Dremel forsætter gør arbejdet for dig. Værktøjet skal så vidt muligt trykkes ind mod emnet ved brug. Du skal i stedet sænke det roterende tilbehør en smule i forhold til emnets overflade og give det mulighed for at berøre det punkt, hvor du vil begynde. Koncentrér dig om at styre værktøjet hen over arbejdsområdet med mindst muligt tryk fra hånden. Lad tilbehøret gøre arbejdet. Det er normalt bedre at lade værktøjet arbejde sig hen over

emnet ad flere omgange end at gøre det hele på én gang. Et let greb giver optimal kontrol og mindsker risikoen for fejl.

Den bedste kontrol ved fint arbejde opnår du ved at holde multiværktøjet som en blyant mellem tommel- og pegefingre.

BILLEDE 6

"Golf-grebet" anvendes til grovere arbejde, f.eks. slibning eller skæring. BILLEDE 7

DRIFTSFASTIGHEDER

Dette multiværktøj arbejder ved høj hastighed. Det arbejder med hastigheder fra 10000 til 33000 o/min. For at opnå det bedste slutresultat skal omdrejningshastigheden tilpasses i forhold til den forestående opgave. De bedste resultater ved arbejde med forskellige materialer opnås, når den variable hastighedsregulering indstilles, så den passer til arbejdet. Det er lettere at vælge den rigtige hastighed til det tilbehør, du bruger, hvis du øver dig på et stykke materiale først.

Indstillingsmulighederne til multiværktøjet 3000 er markeret på knappen til hastighedsregulering. Se skemaet "Hastighedsindstillinger" på side 4-7 for at finde den korrekte hastighed og det rette tilbehør til bearbejdning af materialet.

Værktøjet kan klare de fleste opgaver, når det er indstillet til højeste hastighed. Nogle materialer (f.eks. nogle typer plast og metal) kan dog blive beskadiget på grund af den varme, der opstår ved højhastighedsbearbejdning, og de bør derfor bearbejdes ved relativt lav hastighed. Lav hastighed (15.000 o/min eller lavere) er normalt at foretrække ved polering, hvor polereudstyret af filt anvendes. Al bearbejdning med børster bør udføres ved lav hastighed for at undgå, at børstetråde frigøres fra holderen. Lad værktøjet gøre arbejdet for dig, når du arbejder med lav hastighed. Højere hastighed er bedre egnet til bearbejdning af hårde træsorter, metal og glas samt til boring, udskæring, skæring, fræsning, formning og udskæring af friser eller falseopgaver i træ. Indstillingerne giver ca. de følgende omdrejningshastigheder:

Indstillingerne for antal omdrejninger i minuttet (omtrentligt) på roterende værktøj med variabel hastighed model 3000.

Knapindstilling	Hastighedsområde
1-2	10000-14000 o/min.
3-4	15000-19000 o/min.
5-6	20000-23000 o/min.
7-8	24000-28000 o/min.
9-10	29000-33000 o/min.

Et par retningslinjer for indstilling af værktøjshastigheden:

- Plast og andre materialer, der smelter ved lave temperaturer, skal skæres med lav hastighed.
- Polering, højglanspolering og rengøring med stålborste skal foretages ved knapindstilling 1 for at undgå at beskadige børsten og materialet, der bearbejdes.
- Træ skal skæres ved høj hastighed.
- Jern og stål skal skæres med høj hastighed.
- Hvis et skærende højhastighedsværktøj begynder at vibrere ved bearbejdning af stål, er det normalt et tegn på, at hastigheden er for lav.
- Aluminium, kobberlegeringer, blylegeringer, zinklegeringer og tin kan skæres ved forskellige hastigheder afhængigt af den konkrete skæringsmetode. Anvend paraffin (ikke vand) eller

et andet velegnet smøremiddel på klingen for at undgå, at materialet hænger fast på værktøjets skær.

BEMÆRK: Det hjælper ikke at presse værktøjet ind mod emnet, når værktøjet ikke kører korrekt. Prøv i stedet at skifte tilbehør eller arbejds hastighed for at opnå det ønskede resultat.

VEDLIGEHOLDELSE

Forebyggende vedligeholdelse udført af uautoriserede personer indebærer en risiko for ombytning af indvendige ledere og komponenter, hvilket kan være farligt. Vi anbefaler, at al service på værktøjet udføres af et Dremel serviceværksted. Tag altid stikket ud, før reparation eller rengøring af værktøjet påbegyndes, da der ellers er risiko for personskader som følge af elektrisk stød eller for, at værktøjet starter uventet.

KULSTOFSTÅLBØRSTER

Børsterne, der leveres med multiværktøjet, er designet til at være driftsikre og have en lang levetid. Børsterne klargøres til brug ved at lade værktøjet køre med maksimal hastighed i 5 minutter uden belastning. På den måde "placeres" børstehårene korrekt, og værktøjets levetid forlænges. Det skal kontrolleres, om børsterne er slidt for hver 40-50 timer, for at sikre at motoren vedbliver med at arbejde med optimal effekt.

Brug af værktøjer med slidte børster kan medføre permanent beskadigelse af motoren. Brug kun originale Dremel reservedele, når du udskifter børster. Kontroller multiværktøjets børster efter 40-50 timers drift. Kontroller, om børsterne er slidte og eventuelt skal udskiftes, hvis multiværktøjet kører uregelmæssigt eller mister ydeevne, eller hvis der kommer usædvanlige lyde fra multiværktøjet. Multiværktøjets børster kontrolleres/udskiftes på følgende måde:

1. Træk stikket ud, og læg værktøjet på en ren overflade. Brug værktøjens nøgle som skruetrækker, og fjern børstedækslerne. BILLEDE 8
2. Fjern børsterne fra værktøjet ved at trække i fjederen på kulstofstålbørsten. Hvis børstehårene er kortere end 3 mm, og overfladen på børsten, der rører kommutatoren, er ujævn eller hullet, skal kulstofstålbørsterne udskiftes. Husk at kontrollere begge børster. BILLEDE 9
3. Hvis det kun er den ene børste, der er slidt, bør begge børster alligevel udskiftes for at sikre optimal ydelse af multiværktøjet. Fjern fjederen fra børsten, smid den slidte børste ud, og sæt fjederen i en ny børste.
4. Sæt kulstofstålbørsten med fjeder tilbage i multiværktøjet. Børsten kan kun vende på én måde i værktøjet.
5. Sæk børstedækslerne tilbage på multiværktøjet, idet de skrues fast ved at dreje dem med uret. Tilspænd dem ved hjælp af nøglen, men pas på ikke at SPÆNDE FOR HÅRDT! Lad multiværktøjet køre uden belastning, efter at børsterne er blevet skiftet. Læg værktøjet på en ren overflade, og lad det køre frit ved maksimal hastighed i 5 minutter, før værktøjet belastes (eller anvendes). På den måde "placeres" børstehårene korrekt, og levetiden på de enkelte sæt børster forlænges. Det forlænger samtidig værktøjets levetid, da kommutatorens overflade ikke slides så meget og holder længere.

RENGØRING AF VÆRKTØJET

TRÆK STIKKET UD FØR RENGØRING AF VÆRKTØJET

Luftåbninger og kontakter skal holdes rene og fri for fremmedlegemer. Forsøg ikke at rengøre værktøjet ved at stikke spidse værktøjer ind gennem åbninger.

Værktøjet kan rengøres med trykluft. Anvend altid sikkerhedsbriller, når du rengør værktøj med trykluft.

Multiværktøjet fra Dremel behøver ikke at blive smurt.

Visse rengørings- og opløsningsmidler ødelægger plastdele.

Disse omfatter bl.a.: benzin, tetraklorkulstof, kloreret rensmiddel, ammoniak og husholdningsrensninger, der indeholder ammoniak.

Rengør værktøjets "softgrip"-områder ved at aftørre dem med en fugtig klud. Hvis der er områder, der er mere beskidte, kan det være nødvendigt at aftørre dem flere gange for at få dem rene.

SERVICE OG GARANTI

Dette DREMEL produkt er dækket af garanti, som det er foreskrevet af de gældende lokale love og bestemmelser.

Garantien dækker dog ikke skader som følge af normal slitage, overbelastning eller forkert håndtering af værktøjet.

I tilfælde af klagesager sendes værktøjet i samlet tilstand til forhandleren sammen med dokumentation for købet.

KONTAKT DREMEL

Du kan få mere information om Dremels udvalg, support og hotline på www.dremel.com.

Dremel Europe, P.O. Box 3267, 4800 DG Breda, Holland

ÖVERSÄTTNING AV ORIGINALINSTRUKTIONER

SV

SYMBOLER SOM ANVÄNDS



LÄS DE HÅR ANVISNINGARNA



ANVÄND HÖRSLESKYDD



ANVÄND SKYDDSGLASÖGON



ANVÄND ANDNINGSSKYDD

ALLMÄNNA SÄKERHETSVARNINGAR FÖR ELVERKTYG



VARNING

LÄS ALLA SÄKERHETS-
VARNINGAR OCH ALLA

INSTRUKTIONER.

Om nedanstående varningar och anvisningar ignoreras finns risk för att elstöt, brand och/eller allvarliga personskador uppstår.

Spara alla varningar och instruktioner för framtida referens.

Termen "elverktyg" i varningarna avser ditt elverktyg som drivs med kabel via strömmätet (sladdanslutet) eller med batteri (sladdlöst).

SÄKERHETSOMRÅDE VID ARBETE

- Håll arbetsområdet rent och välbelyst. Oordning på arbetsplatsen och dåligt belyst arbetsområde kan leda till olyckor.
- Använd inte elverktuget i explosionsfarlig omgivning med brännbara vätskor, gaser eller damm. Elverktyg avger gnistor som kan antända damm eller gas.
- Håll under arbetet med elverktuget barn och obehöriga personer på betryggande avstånd. Risken för olyckor ökar om du förlorar koncentrationen när du arbetar.

ELEKTRISK SÄKERHET

- Elverktugets stickpropp måste passa till vägguttaget. Stickproppen får absolut inte ändras. Använd inte adapterkontakter tillsammans med skyddsjordade elverktyg. Oförändrade stickproppar och passande vägguttag reducerar risken för elstöt.
- Undvik kroppskontakt med jordade ytor som t. ex. rör, värmeelement, spisar och kylskåp. Det finns en större risk för elstöt om din kropp är jordad.
- Skydda elverktuget mot regn och väta. Tränger vatten in i ett elverktyg ökar risken för elstöt.
- Skada inte sladden. Använd den inte för att bära eller hänga upp elverktuget och inte heller för att dra stickproppen ur vägguttaget. Håll nätsladden på avstånd från värme, olja, skarpa kanter och rörliga maskindelar. Skadade eller tilltrasslade ledningar ökar risken för elstöt.
- När du arbetar med ett elverktyg utomhus använd endast förlängningssladdar som är godkända för utomhusbruk. Om en lämplig förlängningssladd för utomhusbruk används minskar risken för elstöt.
- Om det är nödvändigt att använda ett elverktyg på en fuktig plats ska en strömkälla med jordfelsbrytare användas. Användning av en jordfelsbrytare minskar risken för elstöt.

PERSONSÄKERHET

- Var uppmärksam, kontrollera vad du gör och använd elverktuget med förnuft. Använd inte elverktuget när du är trött eller om du är påverkad av droger, alkohol eller mediciner. En ögonblicks ouppmärksamhet när du arbetar med elverktyg kan orsaka allvarliga personskador.
- Använd personlig skyddsutrustning. Bär alltid skyddsglasögon. Användning av personlig skyddsutrustning

som t. ex. dammfiltermask, halkfria säkerhetsskor, skyddshjälm och hörselskydd reducerar alltefter elverktugets typ och användning risken för kroppsskada.

- Förhindra oavsiktlig start. Kontrollera att strömbrytaren är i läge Av innan du ansluter strömkällan och/eller batteripaket, lyfter upp eller bär elverktuget. Om du bär elverktuget med fingret på strömställaren eller ansluter påkopplat elverktyg till nätsladden kan olycka uppstå.
- Ta bort alla inställningsverktyg och skruvnycklar innan du kopplar på elverktuget. Ett verktyg eller en nyckel i en roterande komponent kan medföra kroppsskada.
- Luta eller sträck dig inte när du arbetar. Se till att du står stadigt och håller balansen. Då kan du lättare kontrollera elverktuget i oväntade situationer.
- Bär lämpliga arbetskläder. Bär inte löst hängande kläder eller smycken. Håll håret, kläderna och handskarna på avstånd från rörliga delar. Löst hängande kläder, långt hår och smycken kan dras in av roterande delar.
- Vid elverktyg med dammsugnings- och uppsamlingsutrustning kontrollera att anordningarna är rätt monterade och att de används på korrekt sätt. Dessa anordningar reducerar faroriskerna i samband med damm.

KORREKT ANVÄNDNING OCH HANTERING AV/ELVERKTYG

- Överbelasta inte elverktuget. Använd för aktuellt arbete avsett elverktyg. Med ett lämpligt elverktyg kan du arbeta bättre och säkrare inom angivet effektområde.
- Ett elverktyg med defekt strömställare får inte längre användas. Ett elverktyg som inte kan kopplas in eller ur är farligt och måste repareras.
- Koppla från stickkontakten från strömkällan och/eller batteripaket från elverktuget innan du gör jsuteringar, byter tillbehör eller förvarar elverktuget. Denna skyddsåtgärd förhindrar oavsiktlig start av elverktuget.
- Förvara elverktuget oåtkomliga för barn. Låt inte elverktuget användas av personer som inte är förtrogna med dess användning eller inte läst denna anvisning. Elverktuget är farliga om de används av oerfarna personer.
- Sköt elverktuget omsorgsfullt. Kontrollera att rörliga komponenter fungerar felfritt och inte kärvar, att komponenter inte brustit eller skadats; orsaker som kan leda till att elverktugets funktioner påverkas menligt. Låt skadade delar repareras innan elverktuget tas i bruk. Många olyckor orsakas av dåligt skötta elverktyg.
- Håll skärverktuget skarpa och rena. Omsorgsfullt skötta skärverktyg med skarpa egg kommer inte så lätt i kläm och går lättare att styra.
- Använd elverktuget, tillbehör, insatsverktyg osv. enligt dessa anvisningar. Ta hänsyn till arbetsvillkoren och arbetsmomenten. Används elverktuget på icke ändamålsenligt sätt kan farliga situationer uppstå.

SERVICE

- Låt en kvalificerad servicetekniker utföra service på elverktuget. Endast identiska reservdelar bör användas. Det säkerställer att elverktuget fortsätter att fungera säkert.

SÄKERHETSANVISNINGAR FÖR ALLA ARBETEN

GEMENSAMMA SÄKERHETSANVISNINGAR FÖR SLIPNING, SANDPAPPERSSLIPNING, ARBETEN MED STÅLBORSTE, POLERING ELLER KAPSLIPNING

- a. Elverktiget kan användas som slip-, slippappersslip-, stålborste-, polerings- och kapslipmaskin. Beakta alla säkerhetsanvisningar, anvisningar, illustrationer och data som levereras med elverktiget. Om nedanstående anvisningar ignoreras finns risk för att elstöt, brand och/eller allvariga personskador uppstår.
- b. Använd inte tillbehör som tillverkaren inte uttryckligen godkänt och rekommenderat för detta elverktyg. Även om tillbehör kan fästas på elverktiget finns det ingen garanti för en säker användning.
- c. Insatsverktygets tillåtna varvtal måste åtminstone motsvara elverktigets angivna högsta varvtal. Tillbehör med en högre rotationshastighet kan förstöras.
- d. Insatsverktygets yttre diameter och tjocklek måste motsvara elverktigets dimensioner. Fördimensionerade insatsverktyg kan inte på betryggande sätt avskäras och kontrolleras.
- e. Slipskivor, flänsar, sliprondeller och annat tillbehör måste passa exakt på elverktigets slippindel. Insatsverktyg som inte exakt passar till elverktigets slippindel roterar ojämnt, vibrerar kraftigt och kan leda till att kontrollen över verktyget går förlorat.
- f. Använd aldrig skadade insatsverktyg. Kontrollera före varje användning insatsverktygen som t.ex. slipskivor avseende splitterskador och sprickor, sliprondeller avseende sprickor, repor eller kraftig nedslitning, stålborstar avseende lösa eller brustna trådar. Om elverktiget eller insatsverktyget skulle falla ned kontrollera om skada uppstått eller montera ett oskadat insatsverktyg. Du och andra personer i närheten ska efter kontroll och montering av insatsverktyg stå utanför insatsverktygets rotationsradie; låt sedan elverktiget rotera en minut med högsta varvtal. Skadade insatsverktyg går i de flesta fall sönder vid denna provkörning.
- g. Använd personlig skyddsutrustning. Använd alltefter avsett arbete ansiktsskärm, ögonskydd eller skyddsglasögon. Om så behövs, använd dammfiltermask, hörselskydd, skyddshandskar eller skyddsförkläre som skyddar mot utslungade slip- och materialpartiklar. Ögonen ska skyddas mot utslungade främmande partiklar som kan uppstå under arbetet. Damm- och andningsskydd måste kunna filtrera bort det damm som eventuellt uppstår under arbetet. Risk finns för hörselskada under en längre tids kraftigt buller.
- h. Se till att obehöriga personer hålls på betryggande avstånd från arbetsområdet. Alla som rör sig inom arbetsområdet måste använda personlig skyddsutrustning. Brottstycken från arbetsstycket eller insatsverktygen kan slungas ut och orsaka personskada även utanför arbetsområdet.
- i. Håll fast elverktiget endast vid de isolerade handtagen

när arbeten utförs på ställen där insatsverktyget kan skada dolda elledningar eller egen nätsladd. Om kapningstillbehöret kommer i kontakt med strömförande ledningar kan verktygets metalldelar också bli strömförande, vilket är livsfarligt.

- j. Använd klämmor eller någon annan lämplig metod för att fästa och stöjda arbetsstycket på en stabil plattform. Om du håller arbetsstycket med handen eller mot kroppen blir det instabilt vilket kan leda till att du förlorar kontrollen över det.
- k. Håll nätsladden på avstånd från roterande insatsverktyg. Om du förlorar kontrollen över elverktiget kan nätsladden kapas eller dras in varvid risk finns för att din hand eller arm dras mot det roterande insatsverktyget.
- l. Lägga aldrig bort elverktiget innan insatsverktyget stannat fullständigt. Det roterande insatsverktyget kan komma i beröring med underlaget varvid risk finns att du förlorar kontrollen över elverktiget.
- m. Elverktiget får inte rotera när det bärs. Kläder kan vid tillfällig kontakt med det roterande insatsverktyget dras in varvid insatsverktyget dras mot din kropp.
- n. Rengör regelbundet elverktigets ventilationsöppningar. Motorfläkten drar in damm i huset och en kraftig anhopning av metalldamm kan orsaka farliga elströmmar.
- o. Använd inte elverktiget i närheten av brännbara material. Risk finns för att gnistor antänder materialet.
- p. Använd inte insatsverktyg som behöver flytande kylmedel. Vatten eller andra kylvätskor kan medföra elstöt.
- q. Asbesthaltigt material får inte bearbetas (asbest anses vara cancerframkallande).
- r. Vidta skyddsåtgärder om risk finns för att hälsovadligt, brännbart eller explosivt damm uppstår under arbetet (vissa damm klassificeras som cancerframkallande ämnen); använd en dammfi ltermask och om möjligt damm-/spånutsugning.

VARNING FÖR BAKSLAG

Ett bakslag är en plötslig reaktion hos insatsverktyget när t.ex. slipskivan, sliprondellen, stålborsten hakar upp sig eller blockerar. Detta leder till abrupt uppbromsning av det roterande insatsverktyget. Härvid accelererar ett okontrollerat elverktyg mot insatsverktygets rotationsriktning vid inklämningsstället. Om t.ex. en slipskiva hakar upp sig eller blockerar i arbetsstycket kan slipskivans kant i arbetsstycket klämmas fast varvid slipskivan bryts sönder eller orsakar bakslag. Slipskivan rör sig nu mot eller bort från användaren beroende på skivans rotationsriktning vid inklämningsstället. Härvid kan slipskivan även brytas sönder. Bakslag uppstår till följd av missbruk eller felaktig hantering av elverktiget. Detta kan undvikas genom skyddsåtgärder som beskrivs nedan.

- a. Håll stadigt i elverktiget samt kroppen och armarna i ett läge som är lämpligt för att motstå bakslagskrafter. Använd alltid stödhandtaget för bästa möjliga kontroll av bakslagskrafter och reaktionsmoment vid start. Användaren kan genom lämpliga försiktighetsåtgärder bättre behärska bakslags- och reaktionskrafterna.
- b. Håll alltid handen på betryggande avstånd från det roterande insatsverktyget. Insatsverktyget kan vid ett bakslag gå mot din hand.
- c. Undvik att hålla kroppen inom det område elverktiget vid

ett bakslag rör sig. Bakslaget kommer att driva elverkyttet i motsatt riktning till slipskivans rörelse vid inklämningsstället.

- d. Var särskilt försiktig vid bearbetning av hörn, skarpa kanter osv. Håll emot så att insatsverket inte studsar ut från arbetsstycket eller kommer i kläm. På hörn, skarpa kanter eller vid studsning tenderar det roterande insatsverket att komma i kläm. Detta kan leda till att kontrollen förloras eller att bakslag uppstår.
- e. Använd aldrig kedje- eller tandade sågklingor. Dessa insatsverktyg orsakar ofta ett bakslag eller förlust av kontrollen över elverkyttet.

SPECIELLA VARNINGAR FÖR SLIPNING OCH KAPSLIPNING

- a. Använd endast slipkroppar som godkänts för aktuellt elverkytt och de sprängskydd som är avsedda för dessa slipkroppar. Slipkroppar som inte är avsedda för aktuellt elverkytt kan inte på betryggande sätt skyddas och är därför farliga.
- b. Slipkroppar får användas endast för rekommenderade arbeten. t.ex.: Slipa aldrig med kapskivans sidoyta. Kapskivor är avsedda för materialavverknin med skivans kant. Om tryck från sidan utövas mot slipkroppen kan den spricka.
- c. För vald slipskiva ska alltid oskadade spännflansar i korrekt storlek och form användas. Lämpliga flansar stöder slipskivan och reducerar risken för slipskivsbrott. Flansar för kapskivor och andra slipskivor kan ha olika utseende och form.
- d. Använd inte nedslitna slipskivor från större elverkytt. Slipskivor för större elverkytt är inte konstruerade för de mindre elverkyttens högre varvtal och kan därför spricka.

ANDRA SPECIELLA SÄKERHETSANVISNINGAR FÖR KAPSLIPNING

- a. Se till att kapskivan inte kommer i kläm och att den inte utsätts för högt mottryck. Försök inte skära för djupt. Om kapskivan överbelastas ökar dess påfrestning och risk finns för att den snedvrids eller blockerar som sedan kan resultera i bakslag eller slipkroppsbrott.
- b. Undvik området framför och bakom den roterande kapskivan. Om du får kapskivan i arbetsstycket bort från kroppen kan i händelse av ett bakslag elverkyttet med roterande skiva slungas mot din kropp.
- c. Om kapskivan kommer i kläm eller arbetet avbryts, koppla från elverkyttet och håll det lugnt tills skivan stannat fullständigt. Försök aldrig dra ut en roterande kapskiva ur skärspåret då detta kan leda till bakslag. Lokalisera och åtgärda orsaken för inklämning.
- d. Koppla inte åter på elverkyttet om det sitter i arbetsstycket. Låt kapskivan uppnå fullt varvtal innan den försiktigt förs in i skärspåret för fortsatt kapning. I annat fall kan skivan haka upp sig, hoppa ur arbetsstycket eller orsaka bakslag.
- e. För att reducera risken för ett bakslag till följd av inklämd kapskiva ska skivor och andra stora arbetsstycken stödas. Stora arbetsstycken kan böjas ut till följd av hög

egenvikt. Arbetsstycket måste därför stödas på båda sidorna både i närheten av skärspåret och vid kanten.

- f. Var speciellt försiktig vid "fickkapning" i dolda områden som t.ex. i en färdig vägg. Där risk finns att kapskivan kommer i kontakt med gas- eller vattenledningar, elledningar eller andra föremål som kan orsaka bakslag.

SPECIELLA SÄKERHETSANVISNINGAR FÖR SLIPNING

- a. Använd inte för stora slippapper. Följ tillverkarens rekommendationer när du väljer slippapper. Slippapper som står ut över sliprondellen kan leda till personskada, blockera, rivas sönder eller också orsaka bakslag.

SPECIELLA SÄKERHETSANVISNINGAR FÖR POLERING

- a. Se till att inga lösa delar finns på polerhättan, t. ex. fastspänningsband. Kläm in eller kapa fastspänningsbanden. Roterande fastspänningsband kan gripa tag i dina fingrar eller dras in i arbetsstycket.

SPECIELLA SÄKERHETSANVISNINGAR FÖR BORSTNING

- a. Observera att trådborstar även under normal användning förlorar trådbitar. Överbelasta inte stålborsten med för högt anliggningstryck. Utslungade trådbitar kan lätt tränga in genom kläder och/eller i huden.
- b. När sprängskydd används bör man se till att sprängskyddet och trådborsten inte berör varandra. Tallriks- och toppborstarnas diameter kan till följd av anliggningstryck och centrifugalkrafter bli större.

MASKINSPECIFIKA SÄKERHETSANVISNINGAR

- a. Använd elverkyttet endast för torrslipning. Om vatten tränger in i ett elverkytt ökar risken för en elstöt.
- b. Se till att hålla händerna utanför sågområdet. För inte in handen under arbetsstycket. Kontakt med sågbladet medför risk för personskada.
- c. Använd lämpliga detektorer för att lokalisera dolda försörjningsledningar eller konsultera det lokala eldistributionsbolaget. Kontakt med elledning kan orsaka brand och elstöt. En skadad gasledning kan leda till explosion. Inträngning i en vattenledning kan orsaka skador på föremål eller elstöt.
- d. Håll i elverkyttet med båda händerna under arbetet och se till att du står stadigt. Elverkyttet kan styras säkrare med två händer.
- e. Säkra arbetsstycket. Ett arbetsstycke som är fastspänt i en uppspänningsanordning eller ett skruvstycke hålls säkrare än med handen.
- f. Håll arbetsplatsen ren. Materialblandningar är särskilt farliga. Lättmetalldamm kan brinna och explodera.
- g. Använd skyddshandskar vid byte av insatsverktyg. Insatsverktygen värms upp under en längre användning.

- h. **Behandla inte arbetsytan med vätskor som innehåller lösningsmedel.** När materialet vid skrapning värms upp kan giftiga ångor uppstå.
- i. **Var ytterst försiktig vid hantering av skavkniv.** Verkytet är mycket vasst och risk finns för kroppsskada.

⚠ VARNING ASBESTHALTIGT MATERIAL FÅR INTE BEARBETAS (ASBEST ANSES VARA CANCERFRAMKALLANDE).

⚠ VARNING VIDTA SKYDDSÅTGÄRDER OM RISK FINNS FÖR ATT HÄLSOVÅDLIGT, BRÄNNBART ELLER EXPLOSIVT DAMM UPPSTÅR UNDER ARBETET (VISSA DAMM KLASSIFICERAS SOM CANCERFRAMKALLANDE ÄMNET); ANVÄND ANDNINGSSKYDD OCH OM MÖJLIGT DAMM-/SPÄNUTSUGNING.

MILJÖ

AVFALLSHANTERING

Elverktyg, tillbehör och förpackning ska omhändertas på miljövänligt sätt för återvinning.

ENDAST FÖR EU-LÄNDER



Släng inte elverktyg i hushållsavfallet!
Enligt europeiska direktivet 2002/96/EG för kasserade elektriska och elektroniska apparater och dess modifiering till nationell rätt måste obrukbara elverktyg omhändertas separat och på miljövänligt sätt lämnas in för återvinning.

SPECIFIKATIONER

ALLMÄNNA SPECIFIKATIONER

Spänning	230 V, 50 Hz
Märkeffekt	130 W
Märkhastighet	33 000 V/MIN
Upptagningsförmåga	0,8 mm, 1,6 mm, 2,4 mm, 3,2 mm
<input type="checkbox"/> Skyddsklass II	Dubbelisolerade elverktyg

FÖRLÄNGNINGSSLADDAR

Använd helt uttrulade och säkra förlängningssladdar med en kapacitet på 5 A.

MOTORSPECIFIKATIONER

Multiverktyget har en motor med varierbar hastighet. Den är anpassad för 230 V, 50 Hz. Kontrollera alltid att matningsspänningen är densamma som den angivna spänningen på verktygets märkplatta.

MONTERING

DRA ALLTID UR MULTIVERKTYGETS KONTAKT INNAN DU BYTER INSATSVERTYG, BYTER SPÄNNHYLSOR ELLER UTFÖR SERVICE.

ALLMÄNT

Dremel-multiverktyget är ett precisionsverktyg av hög kvalitet, som kan användas för detaljerade och komplicerade arbetsuppgifter. Det stora utbudet av tillbehör och verktyg från Dremel gör att du kan utföra många olika arbetsuppgifter. De omfattar uppgifter som slipning, kapning och gravyr samt fräsning, rengöring och polering.

BILD 1

- A. Nosmutter
- B. Spännhylsa
- C. EZ Twist™ integrerad nyckel/hoskåpa
- D. Skaftläsknapp
- E. Strömställare Till/Från
- F. Hängare
- G. Sladd
- H. Ventilationsöppningar
- I. Borstlucka (en på varje sida)
- J. Ventilationsöppningar

SPÄNNHYLSOR

Multiverktygets Dremel-tillbehör har olika stora fästen. Det finns spännhylsor i fyra olika storlekar för att passa olika stora fästen. På spännhylsornas baksida finns ringar som anger dess storlek.

BILD 2

- K. 3,2 mm spännhylsa utan ring (480)
- L. 2,4 mm spännhylsa med tre ringar (481)
- M. 1,6 mm spännhylsa med två ringar (482)
- N. 0,8 mm spännhylsa med en ring (483)

OBS! I en del multiverktygssatser ingår inte alla fyra spännhylsestorlekarna. Spännhylsor kan köpas separat.

Använd alltid den spännhylsa som motsvarar storleken på fästet på det tillbehör du tänker använda. Tvinga aldrig in ett fäste med större diameter i en mindre spännhylsa.

BYTA SPÄNNHYLSOR

BILD 3

- O. Skaftläsknapp
- P. Nosmutter
- Q. Lossa
- R. Dra åt
- S. Chucknyckel

1. Tryck på skaftläsknappen, håll ner och vrid på skaftet för hand tills muttern fäster i skaftet. *Använd inte skaftläsknappen när multiverktyget är igång.*

2. Skruva loss och ta bort nosmuttern när skaftläsknappen är nedtryckt. Använd chucknyckeln vid behov.
3. Dra bort spännhylsan från skaftet.
4. Montera en spännhylsa av korrekt storlek i skaftet och skruva på nosmuttern med handkraft. Dra inte åt muttern helt när inget borr eller insatsverktyg är monterat.

BYTA INSATSVERKTYG

BILD 3/5

1. Tryck på skaftläsknappen och vrid på skaftet för hand tills det fäster i skaftläset. *Använd inte skaftläsknappen när multiverktyget är igång.*
2. Lossa nosmuttern utan att ta bort den när skaftläsknappen är nedtryckt. Använd chucknyckeln vid behov.
3. Sätt in boret eller insatsverktygets fäste helt i spännhylsan.
4. Håll skaftläsknappen intryckt och dra åt nosmuttern för hand tills spännhylsan griper tag i boret eller tillbehörsfästet. **OBS! Läs anvisningarna som medföljde Dremel-tillbehöret. Där finns mer information om hur det används.**

Använd endast tillbehör som godkänts av Dremel.

EZ TWIST™ INTEGRERAD NYCKEL/NOSKÅPA

BILD 4/5

- T. EZ Twist™ integrerad nyckel/noskåpa

Noskåpan på verktyget har en integrerad nyckel som du kan använda för att lossa och dra åt chuckmuttern utan att använda en standardchucknyckel.

1. Skruva loss noskåpan från verktyget, rikta stålslaget på kåpans insida mot chuckmuttern.
2. När skaftläset är aktiverat vrider du noskåpan moturs för att lossa chuckmuttern. Använd inte skaftläsknappen när multiverktyget är igång.
3. Sätt in boret eller insatsverktygets fäste helt i spännhylsan.
4. När skaftläset är aktiverat vrider du noskåpan medurs för att dra åt chuckmuttern.
5. Skruva på noskåpan igen. **OBS! Läs anvisningarna som medföljde Dremel-tillbehöret. Där finns mer information om hur det används.**

Använd endast tillbehör som godkänts av Dremel.

KOMMA IGÅNG

ANVÄNDNING

Första steget när du ska använda multiverktyget är att få en "känsla" för hur det fungerar. Håll den i handen och känn dess vikt och balans. Känn på det avsmalnande höljet. Formen gör att du kan hålla i verktyget på samma sätt som en penna. Det unika, mjuka greppet på nosen ökar komforten och kontrollen.

Håll alltid verktyget riktat bort från ansiktet. Tillbehör kan skadas under transport och flyga av när de börjar rotera snabbt.

Håll inte verktyget så att ventilationsöppningarna täcks över när du använder det. Då kan motorn bli överhettad.

VIKTIGT! Öva först på överblivet material för att se hur verktyget

fungerar i hög hastighet. Tänk på att multiverktyget fungerar som bäst om du låter hastigheten, tillsammans med rätt Dremel-tillbehör och tillsats, göra arbetet åt dig. Undvik om möjligt att lägga tryck på verktyget. Sänk i stället ner det roterande insatsverktyget försiktigt mot arbetsytan, och låt det vidröra det ställe där du vill börja. Koncentrera dig på att föra verktyget över arbetet med mycket lite tryck från handen. Låt tillbehöret göra jobbet.

Det är vanligen bättre att låta verktyget gå över ytan ett antal gånger än att göra hela jobbet i ett pass. Ett försiktigt tryck ger den bästa kontrollen och minskar risken för fel.

För att få bästa kontroll vid små arbeten håller du multiverktyget mellan tummen och pekfingeret som en penna. BILD 6 "Golfgreppet" används för tyngre arbeten som slipning eller kapning. BILD 7

DRIFTHASTIGHET

Det här multiverktyget är ett höghastighetsverktyg. Hastigheterna varierar mellan 10000 och 33000 varv/minut. Om du anpassar varvtalet till arbetet får du bättre slutresultat. För bästa resultat när du arbetar med olika material bör du anpassa hastigheten till arbetsuppgiften. Välj rätt hastighet för tillbehöret som ska användas. Öva först på överblivet material.

Hastighetsreglaget på multiverktyget 3000 Series har markeringar för olika hastigheter. Med hjälp av tabellen med varvtalsinställningar på sidan 4-7 kan du ta reda på rätt varvtal för det material du arbetar i och det insatsverktyg du använder.

De flesta arbeten kan utföras med högsta varvtal på verktyget. Vissa material (en del plaster och metaller) kan emellertid skadas av den värme som genereras vid höga hastigheter. Där bör i stället relativt låga varvtal användas. Låga varvtal (15 varv/minut eller lägre) passar oftast bäst vid polering med poleringstillbehör av filt. All borstning kräver lägre varvtal för att undvika att trädarna lossnar ur hållaren. Låt verktyget göra arbetet när du använder låga varvtal. Högre varvtal passar bättre för hårda träslag, metall och glas, och vid bormning, skärning, kapning, fräsning, tillformning och låghalsfräsning eller falsning i trä. Inställningar för ungefärliga varvtal är:

Inställningarna för ungefärliga varvtal per minut på Rotary Tool Variable Speed, modell 3000.

Inställning	Hastighetsintervall
1-2	10000-14000 V/MIN
3-4	15000-19000 V/MIN
5-6	20000-23000 V/MIN
7-8	24000-28000 V/MIN
9-10	29000-33000 V/MIN

Några riktlinjer vad gäller varvtal:

- Plast och andra material med låg smältpunkt bör bearbetas på låga varvtal.
- Polering, putsning och rengöring med stålborste får enbart göras på inställning 1 för att förhindra skador på borste och material.
- Trä ska bearbetas med högt varvtal.
- Järn och stål ska bearbetas med högt varvtal.
- Om en höghastighetsfräs börjar vibrera är det ofta ett tecken på att den körs för långsamt.
- Aluminium, tenn samt koppar-, bly- och zinklegeringar kan

bearbetas med olika varvtal beroende på vilken typ av skärning som ska göras. Använd paraffin eller annat lämpligt smörjemedel (ej vatten) på tillbehöret för att undvika att materialet fastnar på skäreppen.

OBS! Det är ingen lösning att öka trycket på verktyget om det inte fungerar som det ska. Prova med ett annat insatsverktyg eller varvtal för att uppnå önskat resultat.

UNDERHÅLL

Om någon obehörig utför det förebyggande underhållet kan det leda till att inre ledningar och komponenter kommer bort, vilket är en stor säkerhetsrisk. Vi rekommenderar att du låter en Dremelrepresentant utföra all service på verktyget. För att undvika skador på grund av elstötar eller start av misstag bör du alltid dra ut kontakten ur vägguttaget innan service eller rengöring.

KOLBORSTAR

Borstarna i verktyget är utformade för många timmars säkert bruk. Förbered borstarna för användning genom att köra verktyget 5 minuter på full hastighet utan belastning. Då "sätter sig" borstarna, vilket ökar verktygets livslängd. För att upprätthålla verktygets effektivitet bör du undersöka att borstarna inte är slitna efter 40-50 timmar.

Om du använder verktyget med slitna borstar kan motorn skadas permanent. Använd endast originalborstar från Dremel. Undersök multiverktygets borstar efter 40-50 timmars användning. Om multiverktyget går ojämnt, förlorar kraft eller låter onormalt, bör du undersöka om borstarna är slitna och eventuellt byta dem. Kontrollera/byt multiverktygets borstar så här:

1. Dra ut nätkabeln och placera verktyget på en ren arbetsyta. Ta? bort borstluckorna. Använd chucknyckeln som skruvmejsel. BILD 8
2. Ta ut borstarna ur verktyget genom att dra i de fjädrar som de är fästade vid. Om borsten är kortare än 3 mm och den yta som ligger mot kommutatorn är grov eller gropig, bör du byta kolborstarna. Kontrollera båda borstarna. BILD 9
3. Om den ena borsten är slitna bör du byta båda borstarna för bästa prestanda. Ta bort fjädern från borsten, släng den gamla borsten och placera fjädern på en ny borste.
4. Sätt tillbaka kolborsten och fjädern i verktyget. Borsten får bara plats på ett sätt.
5. Sätt tillbaka borstluckorna genom att vrida dem medurs. Dra åt dem med chucknyckeln, men **DRA INTE FÖR HÅRT!** Kör verktyget utan belastning när du har bytt borstar. Placera det på en ren arbetsyta och låt det köra på full hastighet i 5 minuter innan du belastar (eller använder) verktyget. Då "sätter sig" borstarna korrekt, vilket förlänger deras livslängd flera timmar. Det förlänger också verktygets livslängd, eftersom kommutatorns yta håller bättre.

RENGÖRA VERKTYGET

DRA UT NÄTKABELN FÖRE RENGÖRING

Ventilationsöppningar och strömbrytare måste hållas rena och fria från skräp. Försök aldrig peta i öppningarna med ett vasst

föremål.

Verktyget kan rengöras med tryckluft. Använd alltid skyddsglasögon när du gör rent med tryckluft.

Dremel-multiverktyget behöver inte smörjas.

Vissa rengöringsmedel och lösningsmedel kan skada plastdelarna. Några av dessa är: bensin, koltetraklorid, klorerade rengöringslösningar, ammoniak och tvättmedel som innehåller ammoniak.

Rengör greppets mjuka områden med en fuktig trasa. Områden med hårdare nedsmutsning kan behöva torkas flera gånger för att bli rena.

SERVICE OCH GARANTI

Denna DREMEL-produkt omfattas av garanti enligt lagstadgade/landsspecifika regler. Skador orsakade av normalt slitage, överbelastning eller felaktig användning täcks inte av garantin.

Skicka vid reklamation det odemonterade verktyget samt inköpsbevis till återförsäljaren.

KONTAKTA DREMEL

Mer information om Dremels sortiment, support och hotline finns på www.dremel.com

Dremel Europe, P.O. Box 3267, 4800 DG Breda, Nederländerna

OVERSETTELSE AV ORIGINALINSTRUKSJONENE

NO

BRUKTE SYMBOLER



LES DISSE INSTRUKSJONENE



BRUK HØRSELVERN



BRUK VERNEBRILLER



BRUK EN STØVMASKE

GENERELLE SIKKERHETSADVARSLER FOR ELEKTROVERKTØY



ADVARSEL

LES ALLE SIKKERHETSADVARSLER OG

INSTRUKSJONER.

Hvis du ikke følger advarslene og instruksjonene, kan det oppstå

elektriske støt, brannskade og/eller alvorlig personskade.

Oppbevar alle advarsler og instruksjoner for fremtidig referanse.

Uttrykket "elektroverktøy" i advarslene henviser til elektroverktøy med strømledning eller batteridrevet (trådløst) elektroverktøy.

SIKKERHET I ARBEIDSRÅDET

- a. **Hold arbeidsområdet rent og godt opplyst.** Rotete arbeidsområder og arbeidsområder uten lys kan føre til ulykker.
- b. **Ikke arbeid med maskinen i eksplosive atmosfærer, slik som i nærheten av brennbare væsker, gass eller støv.** Elektroverktøy lager gnister som kan antenne støv eller damper.
- c. **Hold barn og andre personer unna når elektroverktøyet brukes.** Hvis du blir forstyrret under arbeidet, kan du miste kontrollen over maskinen.

ELEKTRISK SIKKERHET

- a. **Støpselet til elektroverktøyet må passe inn i stikkkontakten.** Støpselet må ikke forandres på noen som helst måte. Ikke bruk adapterstøpsler sammen med jordede maskiner. Bruk av støpsler som ikke er forandret på og passende stikkontakter reduserer risikoen for elektriske støt.
- b. **Unngå kroppskontakt med jordede overflater slik som rør, ovner, komfyrer og kjøleskap.** Det er større fare for elektriske støt hvis kroppen din er jordet.
- c. **Hold maskinen unna regn eller fuktighet.** Dersom det kommer vann i et elektroverktøy, øker risikoen for elektriske støt.
- d. **Ikke misbruk ledningen.** Ikke bruk ledningen til andre formål, f. eks. til å bære elektroverktøyet, dra det eller trekke det ut av stikkkontakten. Hold ledningen unna varme, olje, skarpe kanter og bevegelige deler. Skadede eller innviklede ledninger øker risikoen for elektriske støt.
- e. **Når du arbeider utendørs med et elektroverktøy, må du kun bruke en skjøteledning som er egnet for utendørs bruk.** Når du bruker en skjøteledning som er egnet for utendørs bruk, reduseres risikoen for elektriske støt.
- f. **Hvis bruk av et elektroverktøy på et fuktig sted er uunnngåelig, bruk en strømforsyning beskyttet med en strømkretsbytter for jordlekkasje.** Bruk av en strømkretsbytter for jordlekkasje reduserer risikoen for elektriske støt.

PERSONSIKKERHET

- a. **Vær oppmerksom, pass på hva du gjør og gå fornuftig frem** når du arbeider med et elektroverktøy. Ikke bruk et elektroverktøy når du er trett eller er påvirket av narkotika, alkohol eller medikamenter. Et øyeblikks uoppmerksomhet ved bruk av elektroverktøyet kan føre til alvorlige skader.
- b. **Bruk personlig verneutstyr.** Bruk alltid vernebriller. Bruk av personlig verneutstyr som støvmaske, skilfaste arbeidssko, hjelm eller hørselvern – avhengig av type og bruk av elektroverktøyet – reduserer risikoen for skader.
- c. **Hindre utilsiktet start.** Påse at bryteren er i av-stilling

før du kobler til strøm og/eller batteripakke, og før du løfter opp eller bærer verktøyet. Hvis du holder fingeren på bryteren når du bærer elektroverktøyet eller kobler det til strømmen med bryteren i på-stilling, kan dette føre til uhell.

- d. **Fjern eventuelt innstillingsverktøy eller skrunøkkel før du slår på elektroverktøyet.** En skrunøkkel eller verktøy som befinner seg i en roterende maskindel, kan føre til personskade.
- e. **Ikke overvurder deg selv.** Sørg for at du har godt fofeste og god balanse hele tiden. Dermed kan du kontrollere elektroverktøyet bedre i uventede situasjoner.
- f. **Bruk alltid egnede klær.** Ikke bruk løstsittende klær eller smykker. Hold hår, tøy og hansker unna deler som beveger seg. Løstsittende klær, smykker eller langt hår kan bli viklet inn i deler som beveger seg.
- g. **Hvis det kan monteres støvavsug- og oppsamlingsinnretninger, må du forvisse deg om at disse er tilkoblet og brukes på korrekt måte.** Bruk av disse innretningene reduserer faren knyttet til støv.

BRUK OG VEDLIKEHOLD AV ELEKTROVERKTØYET

- a. **Ikke overbelast elektroverktøyet.** Bruk et elektroverktøy som er beregnet til den typen arbeid du vil utføre. Med et passende elektroverktøy arbeider du bedre og sikrere i det angitte effektområdet.
- b. **Ikke bruk et elektroverktøy med defekt av/på-bryter.** Et elektroverktøy som ikke lenger kan slås av eller på, er farlig og må repareres.
- c. **Ta støpselet ut av strømforsyningen og/eller batteripakken fra elektroverktøyet før du foretar noen justeringer, endrer tilbehør eller oppbevarer elektroverktøy.** Disse tiltakene forhindrer utilsiktet start av maskinen.
- d. **Elektroverktøy som ikke er i bruk, må oppbevares utilgjengelig for barn.** Ikke la elektroverktøyet brukes av personer som ikke er kjent med det eller ikke har lest disse instruksjonene. Elektroverktøy er farlige når de brukes av uerfame personer.
- e. **Vedlikehold av elektroverktøy.** Kontroller om bevegelige verktøydeler fungerer feilfritt og ikke klemmes fast, og om deler er brukt eller skadet slik at dette innvirker på elektroverktøyet funksjon. Reparer disse skadede delene før bruk av elektroverktøyet. Dårlig vedlikeholdte elektroverktøy er årsaken til mange uhell.
- f. **Hold skjæreverktøyene skarpe og rene.** Godt stelte skjæreverktøy med skarpe skjærekanten setter seg ikke så ofte fast og er lettere å føre.
- g. **Bruk elektroverktøy, innsatsverktøy, verktøydeler osv. i henhold til disse instruksjonene.** Ta hensyn til arbeidsforholdene og arbeidet som skal utføres. Bruk av elektroverktøy til andre formål enn det som er angitt, kan føre til farlige situasjoner.

SERVICE

- a. **Elektroverktøyet ditt skal alltid kun repareres av kvalifisert fagpersonell og kun med originale reservedeler.** Slik opprettholdes elektroverktøyet sikkerhet.

SIKKERHETSINSTRUKSJONER FOR ALLE OPERASJONER

FELLES ADVARSLER FOR SLIPING, SANDPAPIRSLIPING, ARBEID MED STÅLBØRSTER, POLERING OG KAPPING

- a. Dette elektroverktøyet skal brukes som sliper, sandpapiрsliper, stålbørste, polermaskin eller kuttessliper. Følg alle advarsler, anvisninger, bilder og data som du får levert sammen med elektroverktøyet. Hvis du ikke følger følgende anvisninger, kan det oppstå elektriske støt, brann og/eller alvorlige skader.
- b. Ikke bruk innsatsverktøy som ikke er spesielt beregnet på dette elektroverktøyet og anbefalt av produsenten. Selv om du kan feste innsatsverktøyet på elektroverktøyet ditt, er dette ingen garanti for sikker bruk.
- c. Det godkjente turtallet til innsatsverktøyet må være minst like høyt som det maksimale turtallet som er angitt på elektroverktøyet. Innsatsverktøy som dreies hurtigere enn godkjent, kan ødelegges.
- d. Utvendig diameter og tykkelse på innsatsverktøyet må tilsvare målene for elektroverktøyet. Innsatsverktøy av feil størrelse kan ikke sikres eller kontrolleres tilstrekkelig.
- e. Slipeskiver, flenser, slipetallerkener eller annet tilbehør må passe nøyaktig på slipespindelen til elektroverktøyet. Innsatsverktøy som ikke passer nøyaktig på slipespindelen til elektroverktøyet vil rotere uregelmessig og vibrere svært sterkt, og kan føre til at du mister kontrollen.
- f. Ikke bruk skadede innsatsverktøy. Sjekk før hver bruk om innsatsverktøy slik som slipeskiver er splintret eller revnet, om slipetallerkener er revnet eller svært slitt, og om stålbørster har løse eller brukkede tråder. Hvis elektroverktøyet eller innsatsverktøyet faller ned, må du kontrollere om det er skadet eller sette på et uskadet innsatsverktøy. Når du har kontrollert og satt inn innsatsverktøyet, må du holde personer som oppholder seg i nærheten unna det roterende innsatsverktøyet og la elektroverktøyet gå i ett minutt med maksimalt turtall. Som regel brekker skadede innsatsverktøy i løpet av denne testtiden.
- g. Bruk personlig verneutstyr. Avhengig av typen bruk må du bruke visir, øyebeskyttelse eller vernebriller. Om nødvendig må du bruke støvmaske, hørselvern, vernehansker eller spesialfôrkle som holder små slipe- og materialpartikler unna kroppen. Øynene bør beskyttes mot fremmedlegemer som kan fly rundt ved visse typer bruk. Støv- eller pustevernmasker må kunne filtrere den typen støv som oppstår ved denne bruken. Hvis du er utsatt for sterk støv over lengre tid, kan det føre til nedsatt hørsel.
- h. Pass på at andre personer holder tilstrekkelig avstand til arbeidsområdet ditt. Alle som går inn i arbeidsområdet, må bruke personlig verneutstyr. Brukne deler til verktøyet eller brukne innsatsverktøy kan slynges ut og derfor også forårsake skader utenfor det direkte arbeidsområdet.
- i. Ta kun tak i elektroverktøyet på de isolerte gripflatene hvis du utfører arbeid der innsatsverktøyet kan treffe på skjulte strømledninger eller sin egen strømledning. Kontakt med en spenningsførende ledning setter også

elektroverktøyet metalldele under spenning og kan føre til elektriske støt.

- j. Bruk skrutvinger eller en annen praktisk metode for å sikre og støtte arbeidsstykket mot en stabil plattform. Hvis du holder arbeidsstykket i hånden eller mot kroppen, er det ustabil og kan føre til at du mister kontrollen.
- k. Hold strømledningen unna roterende innsatsverktøy. Hvis du mister kontrollen over elektroverktøyet, kan strømledningen kappes eller dras inn i verktøyet, og hånden eller armen din kan dras inn i det roterende innsatsverktøyet.
- l. Legg aldri elektroverktøyet ned før innsatsverktøyet har stanset helt. Det roterende innsatsverktøyet kan komme i kontakt med overflaten der maskinen legges ned, slik at du kan miste kontrollen over elektroverktøyet.
- m. La aldri elektroverktøyet være innkoblet mens du bærer det. Tøyet ditt kan komme inn i det roterende innsatsverktøyet hvis det tilfeldigvis kommer i kontakt med verktøyet, og innsatsverktøyet kan da bore seg inn i kroppen din.
- n. Rengjør ventilasjonsåpningene til elektroverktøyet med jevne mellomrom. Motorviften trekker støv inn i huset, og en stor oppsamling av metallstøv kan medføre elektrisk fare.
- o. Ikke bruk elektroverktøyet i nærheten av brennbare materialer. Gnister kan antenne disse materialene.
- p. Ikke bruk innsatsverktøy som krever flytende kjølemedier. Bruk av vann eller andre flytende kjølemedier kan føre til elektriske støt.
- q. Ikke bearbeid materialer som inneholder asbest (asbest er kreftfremkallende).
- r. Ta nødvendige forholdsregler dersom helseskadelig, brennbar eller eksplosivt støv kan oppstå under arbeidet (enkelte støvtyper er kreftfremkallende). Bruk en støvmaske samt et støv-/sponavsg, hvis dette kan kobles til.

TILBAKESLAG OG TILSVARENDE ADVARSLER

Tilbakeslag er innsatsverktøyet plutselig reaksjon etter at det har hengt seg opp eller blokkeres. Dette kan gjelde slipeskiven, slipetallerkenen, stålbørsten osv. Opphenging eller blokkering fører til at det roterende innsatsverktøyet stanser helt plutselig. Slik akselerer et ukontrollert elektroverktøy i motsatt retning av innsatsverktøyet dreieretning på blokkeringsstedet. Hvis f.eks. en slipeskive henger seg opp eller blokkeres i arbeidsstykket, kan kanten på slipeskiven som dykker inn i arbeidsstykket henge seg opp, og slik brekker slipeskiven eller forårsaker et tilbakeslag. Slipeskiven beveger seg da mot eller bort fra brukeren, avhengig av skivens dreieretning på blokkeringsstedet. Slipeskiver kan da også brette. Et tilbakeslag er resultat av misbruk eller feilaktig bruk av elektroverktøyet. Det kan unngås ved å følge egnede sikkerhetstiltak som beskrevet nedenfor.

- a. Hold elektroverktøyet godt fast og plasser kroppen og armene dine i en stilling som kan ta imot tilbakeslagskrefter. Bruk alltid ekstrahåndtaket – hvis dette finnes – for å ha størst mulig kontroll over tilbakeslagskrefter eller reaksjonsmomenter ved oppkjøring. Brukeren kan beherske tilbakeslags- og reaksjonsmomenter med egnede tiltak.
- b. Hold aldri hånden i nærheten av det roterende innsatsverktøyet. Innsatsverktøyet kan bevege seg over hånden din ved tilbakeslag.

- c. **Unngå at kroppen din befinner seg i området der elektroverktøyet vil bevege seg ved et tilbakeslag.** *Tilbakeslaget driver elektroverktøyet i motsatt retning av slipeaktiviteten dreieretning på blokkeringsstedet.*
- d. **Vær spesielt forsiktig i hjørner, på skarpe kanter osv. Du må forhindre at innsatsverktøyet avpelles fra arbeidsstykket eller klemmes fast.** *Det roterende innsatsverktøyet har en tendens til å klemmes fast i hjørner, på skarpe kanter eller hvis det avpelles. Dette forårsaker kontrolltap eller tilbakeslag.*
- e. **Bruk ikke kjedesagblad eller tannet sagblad.** *Slike innsatsverktøy fører ofte til tilbakeslag eller til at man mister kontrollen over elektroverktøyet.*

SPESIELLE ADVARSLER FOR SLIPING OG KAPPING

- a. **Bruk kun slipekiver som er godkjent for dette elektroverktøyet og et vernebeskyttelsesnett som er konstruert for denne typen slipekiver.** *Slipekiver som ikke ble konstruert for dette elektroverktøyet, kan ikke beskyttes tilsvarende og er ikke sikre.*
- b. **Slipekiver må kun brukes til anbefalt type bruk. Ikke slip med sideflaten til en kappeskive.** *Kappeskiver er beregnet til materialjerning med kanten på skiven. Innvirkning av krefter fra siden kan føre til at slipekivene brykker.*
- c. **Bruk alltid uskadede spennflenser i riktig størrelse og form for slipekiven du har valgt.** *Egnede flenser støtter slipekiven og reduserer slik faren for at slipekiven brykker. Flenser for kappeskiver kan være annerledes enn flenser for andre slipekiver.*
- d. **Ikke bruk slitte slipekiver fra større elektroverktøy.** *Slipekiver for større elektroverktøy er ikke beregnet på de høyere turtallene på mindre elektroverktøy, og kan brykke.*

YTTERLIGERE SPESIELLE ADVARSLER FOR KAPPESLIPING

- a. **Unngå blokkering av kappeskiven eller for sterkt presstrykk. Ikke utfør for dype snitt.** *En overbelastning av kappeskiven øker slitasjen og tendensen til fastkiling eller blokkering, og dermed også muligheten for tilbakeslag eller brudd på slipekiven.*
- b. **Unngå området foran og bak den roterende kappeskiven.** *Hvis kappeskiven beveger seg bort fra deg i arbeidsstykket, kan elektroverktøyet med den roterende skiven ved tilbakeslag slynges direkte mot kroppen din.*
- c. **Hvis kappeskiven blokkerer eller du avbryter arbeidet, slår du av elektroverktøyet og holder det rolig til skiven er stanset helt. Forsøk aldri å trekke den roterende kappeskiven ut av snittet, ellers kan det oppstå et tilbakeslag.** *Finn og fjern årsaken til blokkeringen.*
- d. **Ikke start elektroverktøyet igjen så lenge det befinner seg i arbeidsstykket. La kappeskiven oppnå det maksimale turtallet før du fortsetter forsiktig med snittet.** *Ellers kan skiven henge seg opp, springe ut av arbeidsstykket eller forårsake tilbakeslag.*
- e. **Støtt plater eller store arbeidsstykker for å redusere risikoen for tilbakeslag fra en fastklemt kappeskive.** *Store arbeidsstykker kan bøyes av sin egen vekt. Arbeidsstykket*

må støttes på begge sider, både nær kappesnittet og på kanten.

- f. **Vær spesielt forsiktig ved inddykkingsnitt i vegger eller andre uoversiktlige områder.** *Den inntrengende kappeskiven kan treffe på gass- eller vannledninger, elektriske ledninger eller gjenstander som kan forårsake tilbakeslag.*

SPESIELLE ADVARSLER FOR SANDPAPIRSLIPING

- a. **Ikke bruk slipepapir som er altfor stort. Følg produsentens anbefalinger når du velger slipepapir.** *Slipepapir som peker ut over slipeplaten, kan forårsake skader og føre til at slipekivene blokkerer eller revner, eller til at det oppstår tilbakeslag.*

SPESIELLE ADVARSLER FOR POLERING

- a. **Det må aldri finnes løse deler på poleretten eller festesnorene.** *Stikk unna eller kapp løse festesnor. Løse roterende festesnor kan gripe tak i fingrene dine eller vikle seg inn i arbeidsstykket.*

SPESIELLE ADVARSLER FOR STÅLBØRSTING

- a. **Husk på at stålbørsten mister stålbiter i løpet av vanlig bruk. Ikke overbelast ståldelene med for sterkt presstrykk.** *Ståldeler som slynges bort, kan lett trenge inn gjennom tynt tøy og/eller hud.*
- b. **Hvis det anbefales å bruke et vernebeskyttelsesnett, må du forhindre at vernebeskyttelsesnettet berører tallerken- eller koppbørsten.** *Tallerken- og koppbørster kan få større diameter med presstrykk og sentrifugalkrefter.*

MASKINSPEKIFIKKE SIKKERHETSADVARSLER

- a. **Elektroverktøyet skal kun brukes til tørrsliping.** *Dersom det kommer vann i et elektroverktøy, øker risikoen for elektriske støt.*
- b. **Hold hendene unna sagområdet. Ikke ta tak under arbeidsstykket.** *Ved kontakt med sagbladet er det fare for skader.*
- c. **Bruk egnede detektorer til å finne skjulte strøm-/gass-/vannledninger, eller spør hos det lokale el-/gass-/vannverket.** *Kontakt med elektriske ledninger kan medføre brann og elektrisk støt. Skader på en gassledning kan føre til eksplosjon. Inntrenging i en vannledning forårsaker materielle skader og kan medføre elektriske støt.*
- d. **Hold elektroverktøyet fast med begge hender under arbeidet, og sørg for å stå stødig.** *Elektroverktøyet føres sikrere med to hender.*
- e. **Sikre arbeidsstykket.** *Et arbeidsstykke som holdes fast med spenninnetninger eller en skrustikke, holdes sikrere enn med hånden.*
- f. **Hold arbeidsplassen ren.** *Materialblandinger er spesielt farlige. Lettmetallstøv kan brenne eller eksplodere.*
- g. **Bruk vernehansker ved utskifting av innsatsverktøyene.** *Innsatsverktøy blir varme ved bruk over lengre tid.*

- h. Flaten som skal bearbeides, må ikke behandles med løsemiddelholdig væske. Ved oppvarming av arbeidsmaterialene ved skraping kan det oppstå giftige damper.
- i. Vær spesielt forsiktig ved bruk av skraperen. Innsatsverktøyet er svært skarpt og kan føre til skader.

ADVARSEL IKKE BEARBEID MATERIALE SOM INNEHOLDER ASBEST (ASBEST ER KREFTFREMKALLENDE).

ADVARSEL TA NØDVENDIGE FORHOLDSREGLER DERSOM HELSESKADELIG, BRENNBART ELLER EKSPLOSIVT STØV KAN OPPSTÅ UNDER ARBEIDET (ENKELTE STØVTYPER ER KREFTFREMKALLENDE). BRUK EN STØVMASKE SAMT ET STØV/SPONAVSUG, HVIS DETTE KAN KOBLES TIL.

MILJØ

AVHENDING

Elektroverktøy, innsatsverktøy og emballasje må leveres inn til miljøvennlig gjenvinning.

KUN FOR EU-LAND




Ikke kast elektroverktøy sammen med husholdningsavfall!

I henhold til det europeiske direktivet 2002/96/EF vedr. gamle elektriske og elektroniske apparater og tilpassingen til nasjonale lover, må et gammelt elektroverktøy som ikke lenger kan brukes, samles inn og avhendes på en miljøvennlig måte.

SPESIFIKASJONER

GENERELLE SPESIFIKASJONER

Spenningsangivelse	230 V, 50 Hz
Nominell effekt	130 W
Nominelt turtall	33 000 o/min
Innspenningdiameter	0,8 mm, 1,6 mm, 2,4 mm, 3,2 mm
 Klasse II-konstruksjon	Dobbeltisolerte konstruksjonsverktøy

SKJØTELEDNINGER

Bruk skjøteledninger som er helt rullet ut med en kapasitet på 5 A.

MOTORSPESIFIKASJONER

Dette multiverktøyet bruker en variabel høyhastighetsmotor. Den er konstruert for drift med 230 V, 50 Hz. Du må alltid kontrollere at forsyningsspenningen er den samme som spenningen som angis på verktøyet's typeskilt.

MONTERING

KOBLE ALLTID MULTIVERKTØYET FRA STRØM FØR BYTTE AV TILBEHØR, SPENNYHLSEER ELLER VEDLIKEHOLD AV VERKTØYET.

GENERELT

Multiverktøyet fra Dremel er et presisjonsverktøy av høy kvalitet som kan brukes til å utføre detaljerte presisjonsoppgaver. Det brede spekteret av Dremel-innsatsverktøy og -forsatser gjør det mulig å utføre et stort antall oppgaver. Dette omfatter sliping, utskjæring og gravering samt fresing, kutting, rengjøring og polering.

BILDE 1

- A. Spennhylsemutter
- B. Spennhylse
- C. EZ Twist™ innebygd skiftenøkkel/topphette
- D. Spindellåsknapp
- E. På/av-bryter
- F. Oppheng
- G. Ledning
- H. Ventilasjonsåpninger
- I. Børstedeksel (et på hver side)
- J. Ventilasjonsåpninger

SPENNYHLSEER

Dremel-tilbehør til multiverktøyet leveres med ulike skaftstørrelser. Det finnes fire spennhylsestørrelser til de ulike skaftstørrelsene. Spennhylsestørrelsene kan identifiseres ved hjelp av ringene på baksiden av spennhylsen.

BILDE 2

- K. 3,2 mm spennhylse uten ring (480)
- L. 2,4 mm spennhylse med tre ringer (481)
- M. 1,6 mm spennhylse med to ringer (482)
- N. 0,8 mm spennhylse med én ring (483)

MERK: Noen multiverktøysett inneholder ikke alle fire spennhylsestørrelsene. Spennhylser kan kjøpes separat.

Bruk alltid en spennhylse som samsvarer med akselstørrelsen på det tilbehøret du planlegger å bruke. Tving aldri et skaft med større diameter ned i en mindre spennhylse.

BYTTE SPENNYHLSEER

BILDE 3

- O. Spindellåsknapp
- P. Spennhylsemutter
- Q. Løsne
- R. Stramme
- S. Spennhylsenøkkel

1. Trykk på spindellåsknappen, hold skaftet inne og vri for hånd inntil den smekker på plass. *Ikke koble inn spindellåsknappen mens multiverktøyet er i bruk.*

- Hold spindellåsknappen inne, løsne og ta ut spennhylsemutteren. Bruk spennhylsenøkkelen om nødvendig.
- Ta ut spennhylsen ved å trekke den løs fra skaffet.
- Sett en spennhylse i riktig størrelse helt inn i skaffet og trekk til spennhylsemutteren med fingrene. Ikke trekk mutteren helt til hvis det ikke er montert bits eller tilbehør.

BYTTE TILBEHØR

BILDE 3/5

- Trykk på spindellåsknappen, og vri skaffet for hånd inntil den smekker på plass. *Ikke koble inn spindellåsknappen mens multiverktøyet er i bruk.*
- Hold spindellåsknappen inne og løsne (ikke ta ut) spennhylsemutteren. Bruk spennhylsenøkkelen om nødvendig.
- Sett bitsen eller tilbehørsskaffet helt inn i spennhylsen.
- Når spindellåsknappen er koblet inn, kan du stramme spennhylsen med fingrene til spennhylsen griper tak i skaffet på tilbehøret.
MERK: Sørg for å lese instruksjonene som følger med Dremel-tilbehøret. Her finner du mer informasjon om bruken.

Bruk bare tilbehør med høy ytelse som er testet av Dremel.

EZ TWIST™ INNEBYGD SKIFTENØKKE/ TOPPHETTE

BILDE 4/5

- EZ Twist™ innebygd skiftenøkkel/topphette

Topphetten på verktøyet har en innebygd skiftenøkkel slik at du kan løsne og stramme spennhylsemutteren uten å bruke den standard spennhylsenøkkelen.

- Skru topphetten av verktøyet, og plasser stålinnlegget på innsiden av hetten over spennhylsemutteren.
- Mens spindellåsen er aktivert, vrir du toppdekselet mot klokken for å løsne spennhylsemutteren. Ikke koble inn spindellåsknappen mens multiverktøyet er i bruk.
- Sett bitsen eller tilbehørsskaffet helt inn i spennhylsen.
- Mens spindellåsen er aktivert, vrir du toppdekselet med klokken for å stramme spennhylsemutteren.
- Skru toppdekselet tilbake til den opprinnelige stillingen.
MERK: Sørg for å lese instruksjonene som følger med Dremel-tilbehøret. Her finner du mer informasjon om bruken.

Bruk bare tilbehør med høy ytelse som er testet av Dremel.

SLIK KOMMER DU I GANG

BRUK

Det første trinnet ved bruk av multiverktøyet er å bli kjent med det. Hold det i hånden og bli kjent med vekten og balansen. Kjenn på tappen på dekselet. Denne tappen gjør det mulig å holde verktøyet, på samme måte som du holder en blyant eller penn. Det unike softgriepet på tappen gjør det mulig å oppnå økt komfort og kontroll under bruk.

Hold alltid verktøyet på sikker avstand fra ansiktet. Tilbehør kan skades ved bruk, og kan sprette ut når hastigheten øker.

Når du holder verktøyet, må du ikke dekke til ventilasjonsåpningene med hånden. Hvis ventilasjonsåpningene blokkeres, kan motoren bli overopphetet.

VIKTIG! Øv gjerne først på et stykke skrapmetall, slik at du ser hvordan verktøyet fungerer i praksis. Husk at multiverktøyet yter best hvis du lar hastigheten, sammen med riktig Dremel-innsatsverktøy og -forsats, gjøre arbeidet for deg. Unngå å øve press mot verktøyet under bruk. Senk isteden det roterende tilbehøret forsiktig ned mot arbeidsflaten og la det komme i kontakt med punktet hvor det skal starte. Styr verktøyet med hendene, men pass på at du ikke bruker for mye kraft. La innsatsverktøyet gjøre jobben.

Det er vanligvis bedre å gå flere ganger over området med verktøyet enn å gjennomføre hele oppgaven i én enkelt operasjon. Å arbeide med lett hånd gir best kontroll og reduserer risikoen for feil.

Når du jobber med detaljer, oppnår du best kontroll ved å holde verktøyet som en blyant mellom tommel og pekefinger. BILDE 6 "Golf"-griepet brukes til tyngre operasjoner som sliping eller kutting. BILDE 7

DRIFTSHASTIGHETER

Verktøyet er et multiverktøy for høye hastigheter. Hastigheten varierer mellom 10 000 og 33 000 o/min. Ved å justere antall omdreininger per minutt for prosjekter vil du kunne få et bedre sluttresultat. Du oppnår best resultat med ulike materialer ved å stille inn bryteren for variabel hastighet slik at det passer til jobben. Øv gjerne på et stykke skrapmetall for å velge hastigheten som passer til innsatsverktøyet du skal bruke.

Bryterinnstillingene for 3000-multiverktøyet er markert på bryteren for hastighetskontroll. Bruk diagrammet med hastighetsinnstillinger på side 4-7 som hjelpemiddel når du skal bestemme riktig hastighet for materialet du arbeider med, og hvilket tilbehør du skal bruke.

De fleste jobber kan utføres med verktøyet i høyeste stilling. Imidlertid kan visse materialer (noen plast- og metallsorter) bli skadet av varmen som utvikles på grunn av den høye hastigheten. Disse må bearbeides ved lavere hastigheter. Drift ved lav hastighet (15 000 o/min eller mindre) er vanligvis best for polering ved hjelp av filtpoleringstilbehør. Ved bruk av alle typer børster kreves det lavere hastigheter for å unngå at trådene løsner fra holderen. La ytelsen til verktøyet utføre arbeidet for deg når du bruker lavere hastighetsinnstillinger. Høyere hastigheter er bedre for hardt treverk, metall og glass samt for boring, utskjæring, kutting, fresing, forming og kutting av dørfalser og brystpanel i treverk. Cirkaangivelser for omdreiningstall er:

Cirkaangivelser for omdreiningstall på roteringsverktøy med variabel hastighet, modell 3000.

Bryterinnstilling	Turtallsområde
1–2	10 000 – 14 000 o/min
3–4	15 000 – 19 000 o/min
5–6	20 000 – 23 000 o/min
7–8	24 000 – 28 000 o/min
9–10	29 000 – 33 000 o/min

Noen retningslinjer mht. verktøyhastighet:

- Plast og andre materialer som smelter ved lave temperaturer, må kuttes ved lav hastighet.
- Polering, pussing og rengjøring med stålborste må kun utføres på bryterinnstilling 1 for å hindre skader på børsten og materialet.
- Treverk må kuttes ved høy hastighet.
- Jern eller stål må kuttes ved høy hastighet.
- Hvis det begynner å vibrere i en høyhastighetsfres av stål, betyr det vanligvis at den har for lav hastighet.
- Aluminium, kobberlegeringer, blylegeringer, sinklegeringer og tinn kan kuttes ved ulike hastigheter, avhengig av hva slags type kutting som skal utføres. Bruk parafin (ikke vann) eller annet egnet smøremiddel på fresen for å hindre at materialet som kuttes, setter seg fast i tennene på fresen.

MERK: Økt press mot verktøyet er ikke riktig motiltak hvis det ikke yter som forventet. Prøv et annet tilbehør eller hastighetsinnstilling for å oppnå ønsket resultat.

VEDLIKEHOLD

Forebyggende vedlikehold utført av ukyndige personer kan føre til at innvendige deler og ledninger blir satt feil inn, noe som kan forårsake alvorlig fare. Vi anbefaler at all verktøyvedlikehold utføres av et Dremel-serviceverksted. Du unngår skade fra uventet oppstart eller elektrisk støt ved å fjerne støpselet fra vegguttaket før du foretar vedlikehold eller rengjøring.

KULLBØRSTER

Børstene i verktøyet er konstruert for mange timers pålitelig bruk. Du klargjør børstene for bruk ved å kjøre verktøyet på full hastighet i fem minutter på tomgang. Dermed "setter" børstene seg ordentlig, og levetiden for verktøyet forlenges. Du oppnår maksimal effektivitet for motoren ved å undersøke børstene mht. slitasje hver 40.–50. time.

Bruk av verktøyet med slitte børster skader motoren permanent. Bruk bare originale Dremel-reserverbørster. Inspiser multiverktøybørstene etter 40–50 timers bruk. Hvis multiverktøyet ikke fungerer som det skal, mister kraften eller lager uvanlig støt, må du kontrollere om børstene er slitt og bytte dem ved behov. Følg disse trinnene for å kontrollere/endre multiverktøyet's børster:

1. Trekk ut støpselet og legg verktøyet på en ren overflate. Bruk verktøyets skrunøkkel som skrutrekker og ta av børstedekslene. BILDE 8
2. Fjern børstene fra verktøyet ved å trekke i fjæren som er festet til kullbørstene. Hvis børsten er mindre enn 3 mm lang og overflaten på børsten som berører strømfordeleren er ujevn eller har små fordypninger, må kullbørstene skiftes ut. Husk å kontrollere begge børstene. BILDE 9
3. Hvis en av børstene er slitt, må du skifte ut begge slik at du får bedre ytelse ut av multiverktøyet. Ta av fjæren av børsten, kast den gamle børsten og sett fjæren på en ny børste.
4. Plasser kullbørsten og fjæren tilbake i verktøyet. Den kan bare plasseres på én måte i verktøyet.
5. Fest børstedekslene på verktøyet ved å vri dekselet med klokken. Trekk til ved hjelp av skrunøkkelelen, men IKKE STRAM FOR MYE! Etter at du har byttet børstene, skal

verktøyet kjøres på tomgang. Plasser det på en ren overflate og la det gå fritt på full hastighet i fem minutter før du belaster (eller bruker) verktøyet. Dette gjør det mulig for børstene å "sette" seg ordentlig, og gir deg lengre levetid for hvert børstesett. Dermed forlenges også levetiden for verktøyet, siden overflaten på strømfordelen ikke blir ujevnt slitt.

RENGJØRING AV VERKTØYET

TREKK UT STØPSELET FØR RENGJØRING

Ventilasjonsåpninger og brytere må holdes rene og frie for fremmedlegemer. Ikke forsøk å foreta rengjøring ved å stikke spisse gjenstander inn gjennom åpningene.

Bruk gjerne trykkluft til å rengjøre verktøyet. Bruk alltid vernebriller når du rengjør verktøy med trykkluft.

Dremel-multiverktøyet trenger ikke å smøres.

Noen rengjøringsmidler og løsemidler kan skade plastdeler. Noen av disse er bensin, karbontetraklorid, klorholdige rensedmidler, ammoniakk og rengjøringsmidler som inneholder ammoniakk. Rengjør "softgrip"-områdene på verktøyet ved hjelp av en fuktig klut. Svært skitne områder kan kreve mer enn én omgang med kluten før de blir rene.

SERVICE OG GARANTI

Garantien for dette DREMEL-produktet gis i henhold til lovfestede/landsspesifikke lover og forskrifter. Skader grunnet normal slitasje, overbelastning eller feil bruk dekkes ikke av garantien.

Dersom du ønsker å klage på produktet, tar du verktøyet i monteret stand sammen med kjøpsbevis med til forhandleren.

KONTAKTE DREMEL

Hvis du ønsker flere opplysninger om Dremels produktutvalg, brukerstøtte og hotline, kan du gå inn på www.dremel.com

Dremel Europe, P.O. Box 3267, 4800 DG Breda, Nederland

KÄÄNNÖS ALKUPERÄISISTÄ OHJEISTA

FI

KÄYTETYT SYMBOLIT



LUE NÄMÄ OHJEET



KÄYTÄ KUULOSUOJAA



KÄYTÄ SUOJALASEJA



KÄYTÄ HENGITYSSUOJAA

SÄHKÖTYÖKALUIHIN LIITTYVIÄ YLEISIÄ VARO-OHJEITA



VAROITUS

LUE KAIKKI OHJEET JA
VARO-OHJEET.

Alla olevien ohjeiden noudattamisen laiminlyönti saattaa johtaa sähköiskkuun, tulipaloon ja/tai vakavaan loukkaantumiseen.

Säilytä kaikki ohjeet ja varoitukset myöhempiä käyttöä varten.

Termillä "sähkötyökalu" tarkoitetaan sähkökäyttöistä (sähköjohtolla varustettua) työkalua tai akkukäyttöistä (sähköjohtodonta) työkalua.

TYÖTURVALLISUUS

- Pidä työskentelyalue puhtaana ja hyvin valaistuna.**
Työskentelyalueen epäjärjestys ja valaisemattomat alueet voivat johtaa tapaturmiin.
- Älä työskentele sähkötyökaluilla räjähdyksalttiissa ympäristössä, jossa on palavia nesteitä, kaasuja tai pölyä.**
Sähkötyökalut muodostavat kipinöitä, jotka saattavat sytyttää pölyn tai höyryt.
- Pidä lapset ja sivulliset loitolla sähkötyökalua käyttäessäsi.**
Voit menettää laitteesi hallinnan, kun huomiosi suuntautuu muualle.

SÄHKÖTURVALLISUUS

- Sähkötyökalun pistotulpan tulee sopia pistorasiaan.**
Pistotulppaa ei saa muuttaa millään tavalla. Älä käytä pistorasia-adaptoreita maadoitettujen sähkötyökalujen kanssa. Alkuperäisessä kunnossa olevat pistotulpat ja sopivat pistorasiat vähentävät sähköiskun vaaraa.
- Vältä koskettamasta maadoitettuja pintoja, kuten putkia, pattereita, liesiä tai jääkaappeja.**
Sähköiskun vaara kasvaa, jos kehosi on maadoitettu.
- Älä aseta sähkötyökalua alttiiksi sateelle tai kosteudelle.**
Veden tunkeutuminen sähkötyökalun sisään kasvattaa sähköiskun riskiä.
- Älä käytä verkkojohtoa väärin. Älä käytä verkkojohtoa sähkötyökalun kantamiseen, vetämiseen tai pistotulpan irrottamiseen pistorasiasta. Pidä johto loitolla kuumuudesta, öljystä, terävistä reunoista ja liikkuvista osista. Vahingoittuneet tai sokeutuneet johdot kasvattavat sähköiskun vaaraa.**
- Käyttäessäsi sähkötyökalua ulkona käytä ainoastaan ulkokäyttöön soveltuvaa jatkojohtoa.**
Ulkokäyttöön soveltuvan jatkojohtoon käyttö pienentää sähköiskun vaaraa.
- Jos sähkötyökalua on käytettävä kosteissa olosuhteissa, käytä maavuodon suojakytkimellä (ELCB:llä) suojattua virransyöttöä.**
Maavuodon suojakytkimen käyttö pienentää sähköiskun vaaraa.

HENKILÖTURVALLISUUS

- Ole valpas, kiinnitä huomiota työskentelyysi ja noudata tervettä järkeä sähkötyökalua käyttäessäsi.**
Älä käytä laitetta, jos olet väsynyt tai huumeiden, alkoholin tai lääkkeiden vaikutuksen alaisena. Hetken tarkkaamattomuus sähkötyökalua käytettäessä saattaa johtaa vakavaan loukkaantumiseen.

- Käytä henkilökohtaisia suojavarusteita.**
Käytä aina suojalaseja. Loukkaantumisriskiä voidaan vähentää käyttämällä olosuhteita vastaavia henkilökohtaisia suojavarusteita, kuten hengityssuojainta, luistamattomia turvakkenä, suojakypärää tai kuulonsuojaimia.
- Estä vahingossa tapahtuva käynnistys.**
Varmista, että käynnistyskytkin on OFF-asennossa sekä ennen laitteen liittämistä virtalähteeseen ja/tai akkuyksikköön että ennen laitteen nostamista ja kantamista. Jos kannat sähkötyökalua sormi käynnistyskytkimellä tai kytket virran sähkötyökaluun käynnistyskytkimen ollessa käyntiasennossa, altistat itsesi onnettomuuksille.
- Poista kaikki säätötyökalut ja ruuvitalat, ennen kuin käynnistät sähkötyökaluun.**
Työkalu tai avain, joka sijaitsee laitteen pyöriässä osassa, saattaa johtaa loukkaantumiseen.
- Älä kurkottele.**
Huolehdi aina tukevasa seisoma-asennossa ja tasapainossa. Täten voit paremmin hallita sähkötyökalua odottamattomissa tilanteissa.
- Käytä tarkoitukseen soveltuvia vaatteita.**
Älä käytä löysiä työvaatteita tai koruja. Pidä hiukset, vaatteet ja käsineet loitolla liikkuvista osista. Vältä vaatteet, korut ja pitkät hiukset voivat takertua liikkuviin osiin.
- Jos pölynimu- ja keräilylaitteita voidaan asentaa, tulee sinun tarkistaa, että ne on liitetty ja että niitä käytetään asianmukaisesti.**
Näiden laitteiden käyttö vähentää pölyn aiheuttamia vaaroja.

SÄHKÖTYÖKALUJEN KÄYTTÖ JA KÄSITTELY

- Älä ylikuormita laitetta.**
Käytä kyseiseen työhön tarkoitettua sähkötyökalua. Sopivaa sähkötyökalua käyttäen työskentelet paremmin ja varmemmin tehoalueella, jolle sähkötyökalu on tarkoitettu.
- Älä käytä sähkötyökalua, jota ei voida käynnistää ja pysäyttää käynnistyskytkimestä.**
Sähkötyökalu, jota ei enää voida käynnistää ja pysäyttää käynnistyskytkimellä, on vaarallinen ja täytyy korjata.
- Irrota pistoke virtalähteestä ja/tai akkuyksiköstä ennen kuin muutat asetuksia, vaihdat tarvikkeita tai varastoit sähkötyökaluja.**
Nämä turvatoimenpiteet estävät sähkötyökalun tahattoman käynnistyksen.
- Säilytä sähkötyökalut poissa lasten ulottuvilta, kun niitä ei käytetä.**
Älä anna sellaisten henkilöiden käyttää sähkötyökalua, jotka eivät ole perehtyneet sen käyttöön tai jotka eivät ole lukeneet tätä käyttöohjetta. Sähkötyökalu ovat vaarallisia, jos niitä käytävät kokemattomat henkilöt.
- Hoida sähkötyökalusi huolella.**
Tarkista, että liikkuvat osat toimivat moitteettomasti ja etteivät ne jumitua kiinni. Varmista lisäksi, ettei niissä ole murtuneita tai vahingoittuneita osia, jotka saattaisivat vaikuttaa haitallisesti sähkötyökalun toimintaan. Korjauta vioittuneet osat ennen käyttöä. Monen tapaturman syyt löytyvät huonosti huolletuista laitteista.
- Pidä leikkausterät terävinä ja puhtaina.**
Huolellisesti hoidetut leikkaustyökalut, joiden leikkausreunat ovat teräviä, eivät tartu helposti kiinni ja ovat helpommin hallittavissa.
- Käytä sähkötyökaluja, tarvikkeita, vaihtotyökaluja jne. näiden ohjeiden mukaisesti.**
Ota tähtöön huomioon työolosuhteet ja suoritettava toimenpide. Sähkötyökalun

käyttö muuhun kuin sille määrättyyn käyttöön saattaa johtaa vaarallisiin tilanteisiin.

HUOLTO

- a. Anna koulutettujen ammattihenkilöiden korjata sähkötyökaluksi ja hyväksy korjauksiin vain alkuperäisiä varaosia. Täten varmistat, että sähkötyökalu säilyy turvallisena.

KAIKKIA TOIMINTOJA KOSKEVAT VARO-OHJEET

YHTEISET VARO-OHJEET HIONTAA, HIEKKAPAPERIHIONTAA, TERÄSHARJAUSTA, KIILTOSTUSTA TAI KATKAISUA VARTEN

- a. Tämä sähkötyökalu on suunniteltu käytettäväksi hionnassa, hiekkapaperihionnassa, teräsharjauksessa, kiillotuksessa ja katkaisussa. Ota huomioon kaikki varo-ohjeet, käyttöohjeet, piirustukset ja tiedot, jotka toimitetaan sähkötyökalan mukana. *Ellet noudata seuraavia ohjeita, saattaa se johtaa sähköiskuun, tulipaloon ja/tai vaukeaan loukkaantumiseen.*
- b. Älä käytä tarvikkeita, joita ei valmistaja ole tarkoittanut tai suositellut nimenomaan tälle sähkötyökaluille. Vain se, että pystyt kiinnittämään tarvikkeen sähkötyökaluusi ei takaa sen turvallista käyttöä.
- c. Tarvikkeen sallitun kierrosluvun tulee olla vähintään yhtä suuri kuin sähkötyökaluksella mainittu suurin kierroslukku. Tarvike, joka pyörii sallittua suuremmalla nopeudella, saattaa tuhoutua.
- d. Tarvikkeen ulkohalkaisijan ja paksuuden tulee vastata sähkötyökalan mittatietoja. Väärin mitoitetuja tarvikkeita ei voida suojata tai hallita riittävästi.
- e. Hiomalaikkojen, hiomalautasten ja muiden tarvikkeiden tulee sopia tarkasti sähkötyökaluksi hiomakaraan. Tarvikkeet, jotka eivät sovi tarkkaan sähkötyökalan hiomakaraan pyöriivät epätasaisesti, tärisivät voimakkaasti ja saattavat johtaa työkalun hallinnan menettämiseen.
- f. Älä käytä vaurioituneita tarvikkeita. Tarkista tarvike mahdollisten vaurioiden varalta ennen jokaista käyttöä. Varmista esimerkiksi, ettei hiomalaikoissa ole pirstoutumia tai halkemia, ettei hiomalautasessa ole halkeamia tai voimakasta kulumista ja ettei teräsharjassa ole irtoneaisia tai katkenneita lankoja. Jos sähkötyökalu tai tarvike putoaa, tarkista se mahdollisten vaurioiden varalta tai asenna tilalle ehjä tarvike. Kun olet tarkistanut ja asentanut tarvikkeen, pidä itsesi ja lähistöllä olevat henkilöt poissa pyörivän tarvikkeen tasolta ja anna sähkötyökalan käydä minuutti täydellä kierrosluvulla. Vaurioituneet tarvikkeet rikkoontuvat yleensä tässä ajassa.
- g. Käytä henkilökohtaisia suojavarusteita. Käytä käyttökohteesta riippuen suojavisiiriä tai suojalaseja. Jos mahdollista, käytä hengityssuojainta, kuulonsuojaimia, suojakäsineitä tai erikoissuojavaatetta, joka suojaa sinut pieniltä hioma- ja materiaalihiukkasilta. *Silmät tulee suojata lентeleviltä vierailta esineiltä, joita saattaa syntyä eri käyttöjen yhteydessä. Hengityssuojainten täytyy suodattaa pois*

työstössä syntyvä pöly. Jos olet pitkään alltiina voimakkaalle melulle, saattaa se vaikuttaa heikentävästi kuuloon.

- h. Varmista, että muut henkilöt pysyvät turvallisella etäisyydellä työalueeltasi. Jokaisen työalueelle tulevan henkilön tulee käyttää henkilökohtaisia suojavarusteita. *Työkappaleen tai murtuneen tarvikkeen osia saattaa sinkoutua kauemmas vahingoittaen ihmisiä myös varsinaisen työalueen ulkopuolella.*
- i. Tartu sähkötyökaluun ainoastaan eristetyistä pinnoista tehdessäsi työtä, jossa saatat osua piilossa olevaan sähköjohtoon tai työkalun omaan sähköjohtoon. *Kosketus jännitteeseen johtoon saattaa myös sähkötyökalan metalliosat jännitteiksi ja johtaa sähköiskuun.*
- j. Tue työkappaletta tukevaa alustaa vasten ja kiinnitä se kiristimillä tai muilla tarkoituksenmukaisilla välineillä. *Työkappaleen piteleminen käsin tai vartaloa vasten ei tue työkappaletta riittävästi ja voi johtaa hallinnan menetykseen.*
- k. Pidä sähköjohdot kaukana pyörivistä tarvikkeista. *Jos menetät sähkötyökalan hallinnan, saattaa verkkojohto tulla katkaistuksi tai tarttua kiinni ja vetää kätesi tai käsivartesi kiinni pyörivään tarvikkeeseen.*
- l. Älä aseta sähkötyökaluja pois, ennen kuin tarvike on pysähtynyt kokonaan. *Pyörivä tarvike saattaa koskettaa lepopintaa, ja voit menettää sähkötyökaluksi hallinnan.*
- m. Älä koskaan pidä sähkötyökalu käynnissä sitä kantaessasi. *Vaatteesi voi hetkellisen kosketuksen seurauksena tarttua kiinni pyörivään tarvikkeeseen, joka saattaa porautua kehoosi.*
- n. Puhdista sähkötyökalan tuuletusaukot säännöllisesti. *Moottorin tuuletin imee pölyä työkalun koteloon, ja voimakas metallipölyn kasautuma voi synnyttää sähköisiä vaaratilanteita.*
- o. Älä käytä sähkötyökaluja palavien aineiden lähellä. *Kipinät voivat syyttää näitä aineita.*
- p. Älä käytä lisälaitteita, jotka tarvitsevat nestemäisiä jäähdytysaineita. *Veden tai muiden nestemäisten jäähdytysaineiden käyttö saattaa johtaa sähköiskuun.*
- q. Älä koskaan työstä asbestipitoisia materiaaleja (*asbestia* pidetään karsinogeenisena).
- r. Noudata suojatoimenpiteitä, jos työssä saattaa syntyä terveydelle vaarallista, palavaa tai räjähdysaltista pölyä (*joitain pölyjä pidetään karsinogeenisina*). *Käytä hengityssuojainta ja mahdollisesti liitettävissä olevaa pölyn-/lastunpoistolaitetta.*

TAKAISKU JA VASTAAVAT VARO-OHJEET

Takaisku on äkillinen reaktio, joka syntyy pyörivän tarvikkeen, kuten hiomalaikan, hiomalautasen tai teräsharjan tarttuessa kiinni tai jäädessä puristukseen. Tarttuminen tai puristukseen joutuminen johtaa pyörivän tarvikkeen äkilliseen pysähtymiseen. Tällöin hallitsematon sähkötyökalu sinkoutuu tarttumakohdasta tarvikkeen kiertosuuntaan nähden vastakkaiseen suuntaan. Jos esim. hiomalaikka tarttuu tai joutuu puristukseen työkappaleeseen, saattaa hiomalaikan reuna, joka on uponnut työkappaleeseen, juuttua kiinni aiheuttaen hiomalaikan ponnahtuksen ulos työkappaleesta tai aiheuttaa takaiskun. Hiomalaikka liikkuu silloin käyttävää henkilöä vasten tai pois päin hänestä riippuen laikan kiertosuunnasta tarttumakohdassa. Tällöin hiomalaikka voi myös murtua. Takaisku johtuu sähkötyökalan väärinkäytöstä tai käytöstä

väärään tarkoitukseen. Se voidaan estää sopivin varotoimin, jotka on ilmoitettu alla.

- a. **Pitele sähkötyökäluä tukevasti ja aseta kehosi ja käsivartesi asentoon, jossa pystyt vastaamaan takaiskuvoimiin.** Käytä aina mahdollisesti käytettävissä olevaa lisäkävää, jotta pystyisit parhaalla mahdollisella tavalla hallitsemaan takaiskuvoimia tai vastamomentteja työkalun ryntökäynnissä. Käyttäjät pystyvät hallitsemaan takaiskun ja vastamomenttivoimat noudattamalla sopivia suojausmenetelmiä.
- b. **Älä koskaan laita kättäsi lähelle pyörivää tarviketta.** Tarvike saattaa takaiskun sattuessa liikkua kätesi yli.
- c. **Vältä pitämästä kehoasi alueella, johon sähkötyökälu liikkuu takaiskun sattuessa.** Takaisku pakottaa sähkötyökäluun vastakkaiseen suuntaan hiomalaikan liikkeeseen nähden tarttumiskohdassa.
- d. **Työskentele erityisen varovasti muun muassa kulmien ja terävien reunojen alueella, ja estä tarviketta ponnahtamasta takaisin työkappaleesta ja juuttumasta kiinni.** Pyörivällä tarvikkeella on taipumus juuttua kiinni kulmissa, terävissä reunoissa tai saadessaan kimmokeen. Tämä johtaa hallinnan menettämiseen tai takaiskuun.
- e. **Älä käytä ketjuteriä tai hammastettuja sahanteriä.** Tällaiset tarvikkeet aiheuttavat usein takaiskun tai sähkötyökäluun hallinnan menettämisen.

ERITYISET VARO-OHJEET HIONTAAN JA KATKAISUUN

- a. **Käytä yksinomaan sähkötyökäluillesi sallittuja hiomatyökäluja ja näitä hiomatyökäluja varten tarkoitettuja suojuksia.** Hiomatyökäluja, joita ei ole tarkoitettu käytettäväksi sähkötyökäluun kanssa, ei voida suojata riittävästi, ja ne ovat vaarallisia.
- b. **Laikkuja saa käyttää ainoastaan niille suositeltuihin käyttötarkoituksiin.** Älä esimerkiksi koskaan hio hiomalaikan sivupintaa käyttäen. Hiomalaikat on tarkoitettu hiontaan laikan ulkokehällä. Sivuttain kohdistuva voima saattaa murtaa hiomalaikan.
- c. **Käytä aina virheetöntä, oikean kokoista ja muotoista kiinnityslaippaa valitsemallesi hiomalaikalle.** Sopivat laipat tukevat hiomalaikkaa ja vähentävät näin hiomalaikan murtumisriskiä. Katkaisulaikkojen laipat saattavat poiketa muitten hiomalaikkojen laipoista.
- d. **Älä käytä isompiin sähkötyökäluihin kuuluneita, kuluneita hiomalaikkoja.** Suurempien sähkötyökälujen hiomalaikat eivät sovellu pienempien sähkötyökälujen suuremmille kierrosluvuille, ja ne voivat murtua.

MUITA KATKAISUHIONTAAN LIITTYVIÄ ERITYISVARO-OHJEITA

- a. **Vältä katkaisulaikan juuttumista kiinni ja liian suurta syöttöpainetta.** Älä tee liian syviä leikkauksia. Katkaisulaikan ylikuormitus kasvattaa sen räsytystä ja sen alltiutta kallistua tai juuttua kiinni ja siten takaiskun ja laikan murtumisen mahdollisuutta.
- b. **Vältä aluetta pyörivän katkaisulaikan edessä ja takana.** Jos katkaisulaikka liikkuu työkappaleesta sinusta pois päin,

saattaa sähkötyökälu takaiskun sattuessa singota suoraan sinua kohti laikan pyöriessä.

- c. **Jos katkaisulaikka joutuu puristukseen tai keskeytät työn, tulee sinun pysäyttää sähkötyökälu ja pitää se rauhallisesti paikoillaan, kunnes laikka on pysähtynyt.** Älä koskaan yritä poistaa vielä pyörivää katkaisulaikkaa leikkauksesta. Se saattaa aiheuttaa takaiskun. Määrittele ja poista puristukseen joutumisen syy.
- d. **Älä käynnistä sähkötyökäluä uudelleen, jos laikka on kiinni työkappaleesta.** Anna katkaisulaikan ensin saavuttaa täysi kierroslukunsa, ennen kuin varovasti jatkat leikkausta. Muussa tapauksessa saattaa laikka tarttua kiinni, ponnahtaa ulos työkappaleesta tai aiheuttaa takaiskun.
- e. **Tue litteät tai isot työkappaleet katkaisulaikan puristuksen aiheuttaman takaiskuvaaran minimoimiseksi.** Suuret työkappaleet voivat taipua oman painonsa takia. Työkappaleelta tulee tukea molemmilta puolilta sekä katkaisuleikkauksen vierestä että reunoilta.
- f. **Ole erityisen varovainen upotusleikkauksissa seiiniin tai muihin alueisiin, joiden taustaa tai rakennetta et pysty näkemään.** Upoava katkaisulaikka saattaa aiheuttaa takaiskun osessaan kaasu- tai vesiputkiin, sähköjohtoihin tai muihin kohteisiin.

ERITYISET VARO-OHJEET HIEKKAPAPERIHIONTAAN

- a. **Älä käytä liian suurikokoista hiekkapaperia.** Noudata valmistajan ohjeita hiomapyöröjen koosta. Hiomapyöröt jotka ulottuvat hiomalautasen ulkopuolelle, saattavat aiheuttaa loukkaantumista tai johtaa kiinnijuuuttumiseen, hiomapyörön repeytymiseen tai takaiskuun.

ERITYISET VARO-OHJEET KIILOTUKSEEN

- a. **Älä jätä mitään kiillotushupun osaa tai sen kiinnitysnauhuja irralleen.** Piilota kiinnitysnauhat tai lyhennä niitä tarvittaessa. Irtonaiset pyörivät kiinnitysnauhat voivat tarttua someesi tai työkappaleeseen.

ERITYISET VARO-OHJEET TERÄSHARJUKSEEN

- a. **Ota huomioon, että teräsharjasta irtoaa lankoja myös normaaliikäytössä.** Älä ylikuormita lankoja käyttämällä liian suurta painetta työkappaleelta vasten. Irti sinkoutuvat lankat kappaleet voivat helposti tunkeutua ohuen vaatteen tai ihon läpi.
- b. **Jos teräsharjaukseen suositellaan suojuksen käyttämistä, suojuksia ja teräsharja eivät saa koskettaa toisiaan.** Lautas- ja kuppiharjojen halkaisijat voivat laajeta puristusaineen ja keskipakovoiman johdosta.

LAITEKOHTAISET VARO-OHJEET

- a. **Käytä sähkötyökäluä ainoastaan kuivaleikkaukseen.** Veden tunkeutuminen sähkötyökäluun sisään kasvattaa sähköiskun riskiä.
- b. **Pidä kädet loitolla sahauskohdasta.** Älä pane käsiä

työkappaleen alle. Sahanterää kosketettaessa on olemassa loukkaantumisvaara.

- c. Käytä sopivia etsintälaitteita piilossa olevien syöttöjohtojen paikallistamiseksi tai käänny paikallisen jakeluyhtiön puoleen. Kosketus sähköjohtoon saattaa johtaa tulipaloon ja sähköiskuun. Kaasuputken vahingoittaminen saattaa johtaa räjähdykseen. Vesijohtoon tunkeutuminen aiheuttaa aineellista vahinkoa tai saattaa johtaa sähköiskuun.
- d. Pidä työn aikana sähkötyökalua kaksin käsin ja ota tukeva seisoma-asento. Sähkötyökalua pystyy ohjaamaan varmemmin kahdella kädellä.
- e. Varmista työkappale. Kiinnityslaitteilla tai ruuvipenkkiin kiinnitetty työkappale pysyy tukevammin paikoillaan kuin kädessä pidettynä.
- f. Pidä työpaikka puhtaana. Materiaalien sekoitukset ovat erityisen vaarallisia. Kevytmetallipöly saattaa syttyä palamaan tai räjähtää.
- g. Käytä suojakäsineitä, kun vaihdat tarvikkeita. Tarvikkeet lämpenevät pidemmässä käytössä.
- h. Älä käsittele työstettävää pintaa liuotinpitoisilla nesteillä. Materiaalien lämmentessä kaavinnassa saattaa syntyä myrkyllisiä höyryjä.
- i. Ole erityisen varovainen kaavinta käyttäessäsi. Työkalu on erittäin terävä, ja olemassa on loukkaantumisvaara.

VAROITUS ÄLÄ KOSKAAN TYÖSTÄ ASBESTIPITOISIA MATERIAALEJA (ASBESTIA PIDETÄÄN KARSINOGEENISENA).

VAROITUS NOUDATA SUOJATOIMENPITEITÄ, JOS TYÖSSÄ SAATTAA SYNTYÄ TERVEYDELLE VAARALLISTA, PALAVAA TAI RÄJÄHDYSALTISTA PÖLYÄ (JOITAIN PÖLYJÄ PIDETÄÄN KARSINOGEENISENA). KÄYTÄ HENGITYSSUOJAINTA JA MAHDOLLISESTI LIITETTÄVISSÄ OLEVAA PÖLYN-/ LASTUNPOISTOLAITETTA.

YMPÄRISTÖ

HÄVITTÄMINEN

Sähkötyökalu, tarvikkeet ja pakkaukset tulee toimittaa ympäristöstävälliseen uusiokäyttöön.

VAIN EU-MAITA VARTEN



Älä heitä sähkötyökaluja talousjätteisiin! Eurooppalaisen vanhoja sähkö- ja elektroniikkalaitteita koskevan direktiivin 2002/96/EY ja sen kansallisten lakien muunnosten mukaan, tulee käyttökelvottomat sähkötyökalut kerätä erikseen ja toimittaa ympäristöstävälliseen uusiokäyttöön.

TEKNISET TIEDOT

YLEISET TEKNISET TIEDOT

Nimellisjännite	230 V, 50 Hz
Nimellisteho	130 W
Nimelliskierrosluk	33 000 RPM
Istukkakoot	0,8 mm, 1,6 mm, 2,4 mm, 3,2 mm
<input type="checkbox"/> Suojausluokan II rakenne	Kaksoiseristetyt rakennustyökalut

JATKOJOHDOT

Käytä täysin suoritettua ja turvallista jatkojohtoa, jonka kapasiteetti on 5 ampeeria.

MOOTTORIN TEKNISET TIEDOT

Tässä monitoimityökalussa on nopeussäätöinen suurnopeusmoottori. Se on johdottettu käytettäväksi 230 V, 50 Hz. Tarkista, että syöttöjännite vastaa työkalun arvokilvessä ilmoitettua jännitettä.

KOKOAMINEN

IRROTA MONITOIMITYÖKALU AINA VERKKOVIRRASTA ENNEN TARVIKKEIDEN TAI ISTUKAN VAIHTOA TAI TYÖKALUN HUOLTOA.

YLEISTÄ

Dremel-monitoimityökalu on laadukas tarkkuustyökalu, jota voi käyttää tarkkoihin ja monimutkaisiin töihin. Laaja Dremel-tarvikkeiden ja lisälaitteiden valikoima mahdollistaa monenlaisten töiden suorittamisen. Näitä ovat muunmuassa hiominen, veistäminen, kaivertaminen ja jyräntä sekä katkaisu, puhdistus ja kiillotus.

KUVA 1

- Istukkamutteri
- Istukka
- Integroitu EZ Twist™-avain
- Karalukkopainike
- Virtakatkaisin
- Teline
- Verkkojohto
- Tuuletusaukot
- Hiiliharjan suojus (yksi kummallakin puolella)
- Tuuletusaukot

ISTUKAT

Monitoimityökaluun sopivissa Dremel-tarvikkeissa on eri karakokoja. Istukoita on neljää eri kokoa, ja ne sopivat eri kokoihin karoihin. Eri kokoiset istukat tunnistaa istukan takaosassa olevista renkaista.

KUVA 2

- K. 3,2 mm:n istukka ilman rengasta (480)
- L. 2,4 mm:n istukka kolmella renkaalla (481)
- M. 1,6 mm:n istukka kahdella renkaalla (482)
- N. 0,8 mm:n istukka yhdellä renkaalla (483)

HUOMAA: Joissakin monitoimityökalusarjoissa ei ehkä ole kaikkia neljää istukkakokoa. Istukoita on saatavana erikseen.

Käytä aina istukkaa, joka sopii käytettävän tarvikkeen rungon kokoon. Älä pakota läpimitaltaan suurempaa karanvartta pienempään istukkaan.

ISTUKAN VAIHTAMINEN

KUVA 3

- O. Karalukkopainike
- P. Istukkamutteri
- Q. Löysääminen
- R. Kiristäminen
- S. Istukka-avain

1. Paina karalukkopainiketta, pidä sitä alhaalla ja käännä karaa kädellä, kunnes se kiinnittyy varteen. Älä paina karalukkopainiketta, kun monitoimityökalu on käynnissä.
2. Pidä karalukkopainiketta alhaalla, kierrä auki ja irrota istukkamutteri. Käytä tarvittaessa istukka-avainta.
3. Poista istukka vetämällä se irti karasta.
4. Asenna mutterin kokoinen istukka täysin karaan ja kiristä istukkamutteri uudelleen käsin. Älä kiristä mutteria täysin, ennen kuin terä tai tarvikke on asennettu.

TARVIKKEIDEN VAIHTAMINEN

KUVA 3/5

1. Paina karalukkopainiketta ja käännä karaa kädellä, kunnes se kiinnittyy karalukkoon. Älä paina karalukkopainiketta, kun monitoimityökalu on käynnissä.
2. Pidä karalukkopainiketta alhaalla ja kierrä istukkamutteri auki (älä irrota). Käytä tarvittaessa istukka-avainta.
3. Työnnä terän tai tarvikkeen varsi täysin istukkaan.
4. Paina karalukkopainiketta ja kiristä istukkamutteriä käsin, kunnes terä tai tarvikkeen varsi kiinnittyy istukkaan.
HUOMAA: Muista lukea Dremel-tarvikkeen mukana toimitetut ohjeet, joista saat lisätietoja sen käytöstä.

Käytä vain Dremelin testaamia huippotehoisia tarvikkeita.

INTEGROITU EZ TWIST™-AVAIN

KUVA 4/5

- T. Integroitu EZ Twist™-avain

Työkalun kärjen suojuksessa on integroitu avain, jonka avulla istukan mutteri voidaan avata ja kiristää. Perinteistä istukka-avainta ei täten tarvita.

1. Kierrä kärjen suojus auki ja aseta suojuksen sisäpuolella oleva teräsosa yhdensuuntaisesti istukan mutterin kanssa.
2. Kun karalukko on aktivoitu, voi irrottaa istukan

mutterin kiertämällä suojusta vastapäivään. Älä paina karalukkopainiketta, kun monitoimityökalu on käynnissä.

3. Työnnä terä tai tarvikkeen varsi täysin istukkaan.
4. Kun karalukko on aktivoitu, voit kiristää istukan mutterin kiertämällä suojusta myötäpäivään.
5. Kierrä kärjen suojusta takaisin alkuuperäiselle paikalleen.

HUOMAA: Muista lukea Dremel-tarvikkeen mukana toimitetut ohjeet, joista saat lisätietoja sen käytöstä.

Käytä vain Dremelin testaamia huippotehoisia tarvikkeita.

KÄYTÖN ALOITTAMINEN

KÄYTTÖ

Ensimmäinen askel monitoimityökalun käytössä on saada tuntuma sen käyttöön. Pitele sitä kädessäsi ja tunnustele sen painoa ja tasapainoa. Tunnustele kotelon kartiomaistaärkeä. Sen avulla työkalua voi pidellä kuten kynää. Kärjen ainutlaatuinen pehmeä kädensija parantaa mukavuutta ja hallintaa käytön aikana. *Pitele työkalua aina poispäin kasvoistasi. Tarvikkeet voivat vahingoittaa käsitellyn aikana ja lennähtää irti nopeuden kasvaessa.*

Kun pitelet työkalua, älä peitä ilmanpoistoaukkoja kädelläsi.

Ilmanpoistoaukkojen peittäminen voi aiheuttaa moottorin ylikuumenemisen.

TÄRKEÄÄ! Harjoittele ensin hukkapalojen kanssa, jotta näet, miten työkalun korkea nopeusasetus toimii. Pidä mielessä, että monitoimityökalu suoriutuu tehtävästään parhaiten, kun annat sen nopeuden sekä oikean Dremel-tarvikkeen ja lisälaitteen hoitaa työn puolestasi. Älä kohdista työkaluun painetta työskentelyn aikana, jos vain mahdollista. Laske sen sijaan pyörivä tarvikke kevyesti työalustalle ja anna sen koskettaa kohtaa, josta haluat aloittaa. Keskeytä ohjaamaan työkalua työkalupaleen pinnalla painamalla sitä hyvin kevyesti kädellä. Anna tarvikkeen tehdä työ. Yleensä on parempi kuljettaa työkalu työkohteen yli useita kertoja kuin tehdä työ yhdellä kerralla. Kevyt kosketus antaa parhaimman hallinnan ja vähentää virheen mahdollisuutta.

Saadaksesi parhaan kontrollin lähityöskentelyssä tartu monitoimikalun kuten kynään peukalolasi ja etusormellasi.

KUVA 6

Golf-otetta käytetään raskaammissa töissä, kuten hionnassa ja katkaisussa. KUVA 7

TYÖSKENTELYNOPEUDET

Tämä työkalu on suurinopeuksinen monitoimityökalu. Sen nopeus on 10 000–33 000 kierrosta minuutissa. Säätämällä kierrosnopeutta projektisi mukaan saat paremman lopputuloksen. Parhaan tuloksen saavuttaminen työskennellessä eri materiaaleilla. Aseta säädettävä nopeus työn mukaan. Harjoittele ensi hukkapaloilla, jotta osaat valita tarvikkeelle sopivan nopeuden.

3 000-sarjan monitoimityökalun asetukset on merkitty nopeuden säätökytkimeen. Nopeuden säätötaulukossa sivuilla 4-7 on ilmoitettu ohjeet oikeaan nopeuden säätöön kullekin työstettävälle materiaalille ja käytettävälle tarvikkeelle.

Useimmat työt voidaan suorittaa käyttämällä työkalua sen nopeimmalla asetuksella. Jotkin materiaalit (tietyt muovit

ja metallit) voivat kuitenkin vahingoittaa suuren nopeuden kehittämästä kuumuudesta, ja niitä tulee työstää suhteellisen alhaisilla nopeuksilla. Pieni nopeus (15 000 kierrosta minuutissa tai alle) on yleensä paras kiillotuksessa, kun käytetään huopakiihlotustarviketta. Kaikissa harjauksissa käytetään alhaisempaa nopeutta, jotta voidaan välttää harjasten irtoamista kiinnityksestään. Anna työkalun tehon tehdä työ puolestasi, kun käytät pienempiä nopeusasetuksia. Suuremmat nopeudet sopivat paremmin kovapuulle, metalleille ja lasille sekä poraukseen, veistoon, katkaisuun, jyrnsintään, muotoiluun ja urien ja kuvioiden leikkaukseen puuhun. Asetukset sopiville kierrosluuvuille ovat (liikiarvoja):

Arvioitujen kierroslukujen (RPM) asetukset nopeussäätöiselle, pyörivälle työkalulle (malli 3000).

Kytkimen asetus	Kierroslukuväli
1–2	10 000–14 000 kierrosta minuutissa
3–4	15 000–19 000 kierrosta minuutissa
5–6	20 000–23 000 kierrosta minuutissa
7–8	24 000–28 000 kierrosta minuutissa
9–10	29 000–33 000 kierrosta minuutissa

Joitakin ohjeita työkalun kierrosnopeuksiin:

- Muovi ja muut materiaalit, jotka sulavat alhaisissa lämpötiloissa, tulisi leikata alhaisilla nopeuksilla.
- Teräsharjalla tehtävä hionta, kiillotus ja puhdistus on tehtävä kytkimen ollessa kohdassa 1, jotta estetään harjan ja materiaalin vahingoittuminen.
- Puu tulisi leikata suurella nopeudella.
- Rauta tai teräs tulisi leikata suurella nopeudella.
- Jos suurinopeuksinen teräsleikkuri alkaa täristä, se tarkoittaa yleensä sitä, että se pyörii liian hitaasti.
- Alumiini, kupariseokset, lyijyseokset, sinkkiseokset ja tina voidaan leikata eri nopeuksilla riippuen tehtävästä leikkauksesta. Käytä parafiniina (ei vettä) tai muuta sopivaa voiteluainetta leikkurissa estämään leikatun materiaalin tarttuminen leikkurin teriin.

HUOMAA: Paineen lisääminen työstökohdetta vasten ei ole oikea ratkaisu, jos työkalu ei toimi oikein. Kokeile toista tarviketta tai nopeutta saavuttaaksesi halutun tuloksen.

HUOLTO

Valtuuttamattomien henkilöiden suorittamat ennaltaehkäiset huoltotoimet voivat johtaa sisäisten johtojen ja osien vääriin sijoittamiseen, mikä voi aiheuttaa vakavan vaaran. Suosittelemme, että Dremelin huoltopalvelu suorittaa kaikki työkalun huoltotoimenpiteet. Vältä yllättävän käynnistymisen tai sähköiskun vaara irrottamalla pistoke aina pistorasiasta ennen huoltoa tai puhdistusta.

HIILIHARJAT

Työkalusi sisältämät harjat on suunniteltu kestävämmän useita tunteja luotettavaa käyttöä. Valmistelet harjat käyttöä varten käyttämällä työkalua täydellä pyörimisnopeudella viiden minuutin ajan ilman kuormitusta. Tämä asettaa harjat kunnolla paikalleen ja pidentää työkalun käyttöikää. Ylläpitäaksesi moottorin parhaan tehon, tarkista harjojen kuluminen 40–50 käyttötunnin välein.

Jos käytät työkalua kuluneilla harjoilla, aiheutat sen moottorille pysyvää vahinkoa. Käytä vain alkuperäisiä Dremel-vaihtoharjoja. Tarkista monitoimityökalun harjat 40–50 käyttötunnin välein. Jos monitoimityökalu toimii epävarmasti, virta katkeilee tai se pitää outoa ääntä, tarkista harjojen kuluneisuus ja vaihda ne tarvittaessa. Noudata seuraavia ohjeita harjojen tarkistuksessa ja vaihdossa:

1. Irrota virtajohto verkkovirrasta ja aseta työkalu puhtaalle alustalle. Käytä työkaluavainta ruuvitaltana ja irrota harjaratulat. KUVA 8
2. Poista harjat työkalusta vetämällä jousesta, joka on kiinnitetty hiiliharjaan. Jos harja on alle 3 mm pitkä ja virrankääntäjänsä osuva pinta on karkea tai syöpyntynyt, hiiliharjat on vaihdettava. Muista tarkistaa molemmat harjat. KUVA 9
3. Jos yksi harja on kulunut, tulisi molemmat vaihtaa, jotta työkalusi toimisi paremmin. Irrota jousi harjasta, hävitä vanha harja ja aseta jousi uuteen harjaan.
4. Aseta hiiliharja ja jousi takaisin työkaluun. Harja asettuu takaisin paikalleen vain yhteen asentoon.
5. Laita harjaratulat takaisin paikalleen kiertämällä niitä myötäpäivään. Kiristä avaimella, mutta ÄLÄ KIRISTÄ LIIKAA! Kun harjat on vaihdettu, työkalua tulisi käyttää kuormittamattomana. Aseta se puhtaalle alustalle ja käytä vapaasti täydellä pyörimisnopeudella viiden minuutin ajan, ennen kuin kuormitat (tai käytät) työkalua. Tällöin harjat asettuvat paikoilleen, ja niiden käyttöikä pitenee. Tämä myös pidentää työkalusi käyttöikää, koska virrankääntäjän pinta kuluu paremmin ja kestää pidempään.

TYÖKALUN PUHDISTAMINEN

IRROTA PISTOKE VERKKOVIRRASTA ENNEN PUHDISTUSTA

Ilmanvaihtoaukot ja kytkimen vivut täytyy pitää siisteinä ja puhtaina vieraista materiaaleista. Älä yritä puhdistaa aukkoja työntämällä niihin teräviä esineitä.

Työkalun voi puhdistaa paineilmalla. Käytä aina suojalaseja kun puhdistat työkalua paineilmalla.

Dremel-monitoimityökalua ei tarvitse voidella.

Tietyt puhdistusaineet ja liuotteet vahingoittavat muoviosia. Näitä ovat muun muassa bensiini, hiilitetrakloridi, klooria sisältävät puhdistusliuotteet, ammoniakki sekä ammoniakkia sisältävät talouspuhdistusaineet.

Puhdista pehmeät kädensijat kostealla kankaalla. Pahimmin likaantuneiden alueiden puhdistamiseen saatetaan tarvita useampi kuin yksi käsittely.

ASIAKASPALVELU JA TAKUU

Tällä DREMEL-tuotteella on lakisäteinen/maakohtaisten säännösten mukainen takuu. Takuu ei kata vaurioita, jotka johtuvat normaalista kulumisesta, ylikuormituksesta ja vääristä käsittelystä.

Jos haluat tehdä valituksen, lähetä työkalu purkamattomana yhdessä ostokuitin kanssa myyjälle.

DREMELIN YHTEYSTIEDOT

Lisätietoja Dremelin valikoimista, tuesta ja hotlinesta saat osoitteesta www.dremel.com

Dremel Europe, P.O. Box 3267, 4800 DG Breda, Alankomaat

ET ALGSETE JUHISTE TÖLGE

KASUTATUD SÜMBOLID



LUGEGE NEED JUHISED LÄBI



KASUTAGE KUULMISKAITSEVAHENDeid



KASUTAGE SILMAKAITSEMID



KASUTAGE TOLMUKAITSEMASKI

ELEKTRILISE TÖÖRIISTA ÜLDISED OHUTUSHOIATUSED



LUGEGE TÄHELEPANELIKULT LÄBI KÖIK OHUTUSJUHISED JA HOIATUSED.

Hoiatuste ja juhiste eiramise tagajärjeks võib olla elektrilöök, tulekahju ja/või raskek vigastused.

Hoidke kõik hoiatused ja juhised hilisemaks kasutamiseks alles.

Hoiatustes kasutatud termini „elektritööriist“ all peetakse silmas elektriga töötavaid (juhtmega) elektritööriistu või akuga töötavaid (juhtmata) elektritööriistu.

TÖÖPIIRKONNA OHUTUS

- Hoidke töökoht puhas ja korras.** Tööpiirkonnas valitsev segadus ja töökooha ebapiisav valgustus võib põhjustada õnnetusi.
- Ärge kasutage seadet plahvatusohtlikus keskkonnas, kus leidub tuleohtlikke vedelikke, gaase või tolmu.** Elektriliste tööriistadega töötamisel võivad tekkida sädemed, mis omakorda võivad tolmu ja auru süüdata.
- Elektrilise tööriista kasutamise ajal hoidke lapsed ja teised isikud tööpiirkonnast eemal.** Kui Teie tähelepanu juhitakse kõrvale, võib seade Teie kontrolli alt väljuda.

ELEKTRIOHUTUS

- Seadme pistik peab pistikupessa sobima.** Pistikut ei tohi mingil viisil muuta. Ärge kasutage kaitsemaandusega

seadmete puhul adapterpistikuid. Muutmata pistikuid ja sobivad pistikupesad vähendavad elektrilöögi ohtu.

- Vältige kehakontakti maandatud pindadega, näiteks torude, radiaatorite, pliitide ja külmikutega.** Kui Teie keha on maandatud, on elektrilöögi oht suurem.
- Hoidke seadet vihma ja niiskuse eest.** Elektriseadmesse sattunud vesi suurendab elektrilöögi ohtu.
- Kasutage toitejuhet üksnes nõuetekohaselt.** Ärge kasutage toitejuhet seadme kandmiseks, ülesriputamiseks ega pistiku pistikupesast väljatõmbamiseks. Hoidke toitejuhet kuumuse, õli, teravate servade ja seadme liikuvate osade eest. Kahjustatud või keerduläänud toitejuhe suurendab elektrilöögi ohtu.
- Kui töotate elektrilise tööriistaga välistingimustes, kasutage ainult selliseid pikendusjuhtmeid, mis on ette nähtud välistingimustes kasutamiseks.** Välistingimustes kasutamiseks sobiv pikendusjuhe vähendab elektrilöögi ohtu.
- Kui elektritööriista kasutamise niiskuse kohas on vältimatu, kasutage rikkevoolukaitselülitiga kaitstud varustust.** Maandusega lekkevoolukaitsme kasutamine vähendab elektrilöögi ohtu.

INIMESTE OHUTUS

- Olge tähelepanelik, jälgige oma tegevust ning tegutsege elektrilise tööriistaga töötades kaalutletult.** Ärge kasutage seadet, kui olete väsinud või uimastite, alkoholi või ravimite mõju all. Hetkeline tähelepanematus seadme kasutamisel võib põhjustada raskeid vigastusi.
- Kasutage isikukaitsevahendeid.** Kandke alati kaitseprille. Sobivate isikukaitsevahendite, näiteks tolmumaski, libisemiskindlate turvajalatsite, kaitsekiivri või kuulmiskaitsevahendite kasutamine vähendab vigastuste ohtu.
- Vältige seadme tahtmatut käivitamist.** Enne pistiku pistikupesasse ühendamist veenduge, et lüliti on väljalülitatud asendis. Kui hoiate seadme kandmisel sõrme lüliti või ühendate vooluvõrku sisselülitatud seadme, võib see põhjustada õnnetusi.
- Enne seadme sisselülitamist eemaldage selle küljest reguleerimis- ja mutrivõtmed.** Seadme pöörleva osa küljes olev reguleerimis- või mutrivõti võib põhjustada vigastusi.
- Ärge hinnake end üle.** Võtke stabiilne tööasend ja hoidke kogu aeg tasakaalu. Nii saate seadet ootamatutes olukordades paremini kontrollida.
- Kandke sobivat rõivastust.** Ärge kandke laiu riideid ega ehteid. Hoidke juuksed, rõivad ja kindad seadme liikuvatest osadest eemal. Lotendavad riided, ehted või pikad juuksed võivad sattuda seadme liikuvate osade vahele.
- Kui on võimalik paigaldada tolmueemaldus- ja tolmukogumisseadiseid/seadmeid, veenduge, et need on seadmega ühendatud ja et neid kasutatakse õigesti.** Nende seadiste/seadmete kasutamine vähendab tolmust põhjustatud ohte.

ELEKTRILISTE TÖÖRIISTADE KÄSITSEMINE JA HOOLDAMINE

- Ärge koormake seadet üle.** Kasutage töö tegemiseks selleks ettenähtud elektrilist tööriista. Sobiva elektrilise

tööriista töötate ettenähtud jõudluspiirides tõhusamalt ja ohutumat.

- b. Ärge kasutage elektrilist tööriista, mille lüliti on rikkis. Elektriline tööriist, mida ei saa enam lülitist sisse ja välja lülitada, on ohtlik ning tuleb toimetada parandusse.
- c. Tõmmake pistikupesast välja ja/või eemaldage seadmest aku enne seadme reguleerimist, tarvikute vahetamist ja seadme ärapanekut. See ettevaatusabinõu väldib seadme tahtmatut käivitamist.
- d. Kasutusvälisel ajal hoidke elektrilise tööriistu lastele kättesaamatus kohas. Ärge lubage seadet kasutada isikutel, kes ei ole kursis seadme töö põhimõtetega ega ole tutvunud käesolevate juhistega. Asjatundmatute kasutajate käes on elektrilised tööriistad ohtlikud.
- e. Hooldage seadet korralikult. Veenduge, et seadme liikuvad osad töötavad korralikult ega kiildu kinni ja et seadme osad ei ole katki või kahjustatud määral, mis võiks mõjutada seadme veatut taset. Laske kahjustatud osad enne seadme kasutamist parandada. Elektriliste tööriistade ebapiisav hooldus on paljude õnnetuste põhjuseks.
- f. Hoidke lõiketarvikud teravad ja puhtad. Hästi hooldatud, teravate lõikeservadega lõiketarvikud kiilduvad harvemini kinni ja neid on lihtsam juhtida.
- g. Kasutage elektrilist tööriista, lisavarustust, tarvikuid jmt vastavalt siintoodud juhistele ning nii, nagu konkreetse mudeli jaoks ette nähtud. Arvestage seejuures töötingimuste ja teostatava töö iseloomuga. Elektriliste tööriistade nõuetevastane kasutamine võib põhjustada ohtlikke olukordi.

HOOLDUS

- a. Laske seadet parandada ainult kvalifitseeritud spetsialistidel, kes kasutavad originaalvaruosi. Nii tagate seadme pideva ohutu töö.

OHUTUSNÕUDED KÕIGIL RAKENDUSALADEL

ÜHISED OHUTUSNÕUDED LIHVIMISEL, LIIVAPABERIGA LIHVIMISEL, TRAATHARJAGA TÕOTLEMISEL, POLEERIMISEL JA LÕIKAMISEL

- a. See elektriline tööriist on ette nähtud lihvimiseks, liivpaberiga lihvimiseks, traatharjaga töötlemiseks, poleerimiseks ja lõikamiseks. Järgige kõiki tööriistaga kaasasolevaid hoiatusi, juhiseid, jooniseid ja tehnilisi andmeid. Järgnevalt toodud juhiste eiramise tagajärjeks võib olla elektrilöökk, tulekahju ja/või rasked vigastused.
- b. Ärge kasutage lisatarvikuid, mis ei ole tootja poolt käesoleva elektrilise tööriista jaoks ette nähtud või soovitatud. See, et saate lisatarvikut oma tööriista külge kinnitada, ei taga veel tööriista ohutut kasutust.
- c. Kasutatava tarviku lubatud pöörete arv peab olema vähemalt sama suur nagu elektrilise tööriista maksimaalne pöörete arv. Tarvik, mis pöörleb lubatust kiiremini, võib puruneda.
- d. Tarviku välisläbimõõt ja paksus peavad vastama elektrilise tööriista mõõtmetele. Valed mõõtmetega tarvikud ei kata kaitse piisaval määral.
- e. Lihvkettad, seibid, lihvtallad ja teised tarvikud peavad elektrilise tööriista spindliga täpselt sobima. Ebasobivad tarvikud pöörlevad ebahühtlaselt, vibreerivad tugevalt ja võivad põhjustada kontrolli kaotuse tööriista üle.
- f. Ärge kasutage vigastatud tarvikuid. Iga kord enne kasutamist kontrollige, ega lihvketastel ei esine pragusid või murenenud kohti, lihvtaldadel pragusid või kulunud kohti, traatharjadel lahtisi või murdunud traate. Kui elektriline tööriist või tarvik maha kukub, siis kontrollige, ega see ei ole vigastatud ning vajadusel võtke vigastatud tarviku asemel kasutusele vigastamata tarvik. Kui olete tarviku üle kontrollinud ja kasutusele võtnud, hoidke ennast ja lähedal viibivaid isikuid väljaspool pöörleva tarviku tasandit ja laske tööriistal töötada ühe minuti vältel maksimaalsetel pööretel. Selle testperioodi jooksul vigastatud tarvikud üldjuhul murduvad.
- g. Kasutage isikukaitsevahendeid. Kandke vastavalt kasutusotstarbele näokaitsemaski või kaitseprille. Vajaduse korral kandke tolmukaitsemaski, kuumkaitsevahendeid, kaitsekindaid või kaitsepõlle, mis kaitseb. Teid lihvimisel eralduvate väikeste materjaliosakeste eest. Silmi tuleb kaitsta töödeldavast materjalist eralduvate kildude ja võõrkehade eest. Tolmu- ja hingamisteede kaitsemaskid peavad filtreerima tekkitava tolmu. Pikaajaline tugev müra võib kahjustada kuulmist.
- h. Veenduge, et teised inimesed asuvad tööpiirkonnast ohutuskauguses. Igaüks, kes tööpiirkonda siseneb, peab kandma isikukaitsevahendeid. Materjalist eralduvad kildud või murdunud tarvikud võivad õhku paiskuda ning põhjustada vigastusi ka tööpiirkonnast väljaspool.
- i. Tehes töid, mille puhul võib lõiketarvik kokku puutuda varjatud elektrijuhtmetega või tööriista enda toitejuhtmetega, hoidke tööriista üksnes isoleeritud käepidemetest. Kokkupuude pingele all olevate elektrijuhtmetega võib pingestada ka tööriista metallosad ja põhjustada elektrilöögi.
- j. Kinnitage toorik kruustangidega või muul praktilisel viisil kindlale platvormile. Kui hoiate toorikut käes või vastu keha, pole see stabiilne ja võib viia kontrolli kadumiseni.
- k. Hoidke toitejuhet pöörlevast tarvikust eemal. Kui kaotate kontrolli seadme üle, tekib toitejuhtme läbilõikamise või tarviku poolt kaasahaaramise oht ning Teie käsi võib pöörleva tarvikuga kokku puutuda.
- l. Pange tööriist käest alles siis, kui tarvik on seiskunud. Pöörlev tarvik võib alusega kokku puutuda, mille tagajärjel võite kaotada kontrolli tööriista üle.
- m. Ärge transportige töötavat tööriista. Teie rõivad võivad jääda pöörleva tarviku külge kinni ning tarvik võib tungida Teie kehasse.
- n. Puhastage regulaarselt tööriista tuulutusavasid. Töötav mootor tõmbab korpusesse tolmu ning kogunev metallitoll võib vähendada elektriõhutus.
- o. Ärge kasutage elektrilist tööriista süttivate materjalide läheduses. Sädemete tõttu võivad taolised materjalid süttida.
- p. Ärge kasutage tarvikuid, mille puhul on vaja kasutada jahutusvedelikke. Vee või teiste jahutusvedelike kasutamine võib põhjustada elektrilööki.

- q. Ärge töödelge asbesti sisaldavat materjali (asbest võib tekitada vähki).
- r. Rakendage kaitseabinõusid, kui töötamisel võib tekkida tervistkahjustavat, süttimis- või plahvatusohtlikku tolmu (teatud liiki tolmu võib tekitada vähki); kandke tolmukaitsemaski ja võimaluse korral kasutage tolmu-/killueemaldussüsteemi.

TAGASILÖÖK JA ASJAOMASED OHUTUSNÕUDED

Tagasilöök on kinnikiildunud pöörlevast tarvikust, näiteks lihvkettast, lihvtalast, traatharjast vmt põhjustatud järsk reaktsioon. Kinnikiildumine põhjustab pöörleva tarviku äkilise seiskumise.

See omakorda tingib seadme kontrollimatu liikumise tarviku pöörlemissuunaga vastupidises suunas. Lihvketta kinnikiildumise tagajärjeks võib olla lihvketta murdumine või tagasilöök. Lihvketas liigub siis sõltuvalt ketta pöörlemissuunast kas tööriista kasutaja suunas või kasutajast eemale. Seejuures võivad lihvkettad ka murduda. Tagasilööki on seadme vale või ebaõige kasutuse tagajärg. Tagasilööki saab sobivate ettevaatusabinõude rakendamisega ära hoida.

- a. Hoidke elektrilist tööriista tugevasti ja viige oma keha ja käed asendisse, milles saate tagasilöögiõududele vastu astuda. Kasutage alati lisakäepidet, kui see on olemas, et saavutada tagasilöögiõudude või reaktsioonimomentide üle võimalikult suurt kontrolli. Seadme kasutaja saab sobivate ettevaatusabinõude rakendamisega tagasilöögi- ja reaktsioonijõudusid kontrollida.
- b. Ärge viige oma kätt kunagi pöörlevate tarvikute lähedusse. Tarvik võib tagasilöögi puhul riivata Teie kätt.
- c. Vältige oma kehaga piirkonda, kuhu seade tagasilöögi puhul liigub. Tagasilööki paiskab seadme lihvketta liikumissuunale vastassuunas.
- d. Töötage eriti ettevaatlikult nurkade, teravate servade jmt piirkonnas. Vältige tarviku tagasipõrkumist toorikult ja toorikusse kinnijäämist. Pöörlev tarvik kaldub nurkades, teravates servades ja tagasipõrkumise korral kinni kiilduma. See põhjustab kontrolli kaotuse tööriista üle või tagasilöögi.
- e. Ärge kasutage kett- ega hammastusega ketast. Taolisid tarvikud põhjustavad tihti tagasilöögi või kontrolli kaotuse seadme üle.

TÄIENDAVAD OHUTUSNÕUDED LIHVIMISEL JA LÖIKAMISEL

- a. Kasutage üksnes teie elektrilise tööriista jaoks sobivaid lihvimistarvikuid ja nende lihvimistarvikute jaoks ette nähtud kettakaitset. Lihvimistarvikuid, mis ei ole tööriista jaoks ette nähtud, ei kata kaitse piisaval määral ning need on ohtlikud.
- b. Lihvimistarvikuid tohib kasutada üksnes otstarbel, milleks need on ette nähtud. Näiteks ei tohi mitte kunagi kasutada lihvimiseks löikeketta külgpinda. Löikekettad on ette nähtud materjali löikamiseks ketta servaga. Külgsuunas avalduvad jõud võivad löikeketta purustada.
- c. Kasutage alati valitud lihvketta jaoks sobiva suuruse ja kujuga aluseibi. Sobivad seibid kaitsevad löikekettast ja hoivavad nii ära lihvketta purunemise ohtu. Löikeketta seibid võivad teiste lihvkettaste seibidest erineda.
- d. Ärge kasutage suuremate elektriliste tööriistade

kasutatud lihvkettaid. Suuremate elektriliste tööriistade lihvkettad ei sobi kasutamiseks väiksemate elektriliste tööriistade kõrgemal pöoretel ning võivad murduda.

TÄIENDAVAD OHUTUSNÕUDED LÖIKAMISEL

- a. Vältige löikeketta kinnikiildumist ja ärge avaldage löikekettale liigset survet. Ärge teostage liiga sügavaid löikeid. Löikekettale avalduv liigne koormus suurendab löikeketta kulumist ja kalduvust kinnikiildumiseks, mistõttu suureneb ka tagasilöögi või lihvketta purunemise oht.
- b. Vältige pöörleva löikeketta ette ja taha jäävat piirkonda. Kui juhite löikekettast toorikus endast eemale, võib tööriist koos pöörleva kettaga lennata tagasilöögi korral otse Teie peale.
- c. Kui löikekettas kinni kiildub või kui Te töö katkestate, lülitage tööriist välja ja hoidke seda enda kontrolli all seni, kuni löikekettas seiskub. Ärge püüdke kunagi veel pöörlevat löikekettast löikejoonest välja tõmmata, kuna vastasel korral võib toimuda tagasilööki. Tehke kindlaks ja kõrvaldage kinnikiildumise põhjus.
- d. Ärge lülitage tööriista uuesti sisse, kui see asub veel toorikus. Enne löikeprotsessi ettevaatlikku jätkamist laske löikekettal jõuda maksimaalpöoretele. Vastasel korral võib löikekettas kinni kiilduda, toorikust välja hüpata või tagasilöögi põhjustada.
- e. Toestage plaadid ja suured toorikud, et vältida kinnikiildunud löikekettast põhjustatud tagasilöögi ohtu. Suured toorikud võivad omaenda raskuse all murduda. Toorik tuleb toestada mõlemalt poolt, nii löikejoone lähedalt kui servast.
- f. Olge eriti ettevaatlik sisselõigete tegemisel olemasolevatesse seintesse või teistesse varjatud piirkondadesse. Löikekettas võib tabada gaasi- või veetorusid, elektrijuhtmeid või teisi objekte, mille tagajärjeks võib olla tagasilööki.

OHUTUSNÕUDED LIHVIMISEL

- a. Ärge kasutage lihvimiskettal liiga suurt paberit. Järgige tootja juhiseid lihvpaberi suuruse kohta. Üle lihvtalla ulatuvad lihvpaberid võivad põhjustada vigastusi, samuti lihvpaberi kinnijäämist, rebenemist või tagasilööki.

OHUTUSNÕUDED POLEERIMISEL

- a. Ärge laske poleerketta lahtistel osadel või kinnitusnööridel vabalt pöörlelda. Peitke või lühendage kinnitusnöörid. Lahtised kaasapöörlevad kinnitusnöörid võivad Teie sõrmed kaasa haarata või toorikusse kinni jääda.

OHUTUSNÕUDED TÖÖTAMISEL TRAATHARJADEGA

- a. Pidage silmas, et traatharjast eraldub ka tavalise kasutuse käigus traaditükke. Ärge koormake traate üle, avaldades neile liigset survet. Eemalepaiskuvad traaditükid võivad kergesti tungida läbi õhukete riiete ja/või naha.
- b. Kui traatharjaga töötamisel on soovitatav kasutada kettakaitset, siis tuleb ära hoida kettakaitsme ja traatharja

kokkupuute võimalus. Taldrik- ja kaussharjade läbimõõt võib avaldatava surve ja tsentrifugaaljõudude toimel suureneda.

MASINAOHUTUSJUHISED

- Kasutage elektrilist tööriista ainult kuivlihvimiseks.** Vee sissetungimine elektrilisse tööriista suurendab elektrilöögi ohtu.
- Hoidke käed töödeldavast piirkonnast eemal.** Ärge viige sõrmi tooriku alla. Saelehega kokkupuutel võite end vigastada.
- Varjatult paiknevate elektrijuhtmete, gaasi või veetorude avastamiseks kasutage sobivaid otsimisseadmeid või pöörduge kohaliku elektri-, gaasi- või veevarustusfirma poole.** Kokkupuutel elektrijuhtmetega tekib tulekahju- ja elektrilöögioht. Gaasitorustiku vigastamisel tekib plahvatusoht. Veetorustiku vigastamine põhjustab materiaalse kahju ja võib tekitada elektrilöögi.
- Hoidke elektrilist tööriista töötades mõlema käega ja säilitage stabiilne asend.** Elektriline tööriist püsib kahe käega hoides kindlamini käes.
- Kinnitage töödeldav toorik.** Kinnitusseadmete või kruustangidega kinnitatud toorik püsib kindlamalt kui käega hoides.
- Hoidke oma töökoht puhas.** Materjalisegud on eriti ohtlikud. Kergmetallide tolm võib süttida või plahvatada.
- Tarviku vahetamisel kandke kaitsekindaid.** Tarvikud lähevad pikemaajalisel kasutamisel kuumaks.
- Ärge töödelge töödeldavat pinda lahustit sisaldavate vedelikega.** Kaabitsaga töötlemisel materjalid kuumenevad, mistõttu võivad tekkida mürgised aured.
- Kaabitsa kasutamisel olge eriti ettevaatlik.** Tarvik on väga terav, võite ennast vigastada.

ETTEVAATUST ÄRGE TÖÖDELGE ASBESTI SISALDAVAT MATERJALI (ASBEST VÕIB TEKITADA VÄHKI).

ETTEVAATUST RAKENDAGE KAITSEABINÕUSID, KUI TÖÖTAMISEL VÕIB TEKKIDA TERVISTKAHJUSTAVAT, SÜTTIMIS- VÕI PLAHVATUSOHTLIKKU TOLMU (TEATUD LIIKI TOLM VÕIB TEKITADA VÄHKI); KANDKE TOLMUKAITSEMASKI JA VÕIMALUSE KORRAL KASUTAGE TOLMU-/KILLUEEMALDUSSÜSTEEMI.

KESKKOND

UTILISEERIMINE

Elektrilised tööriistad, lisatarvikud ja pakend tuleks keskkonnasäästlikult ringlusesse võtta.

ÜKSNES ELI LIIKMESRIIKIDELE



Ärge käidelda elektrilisi tööriistu koos olmejäätmetega! Vastavalt Euroopa Parlamendi ja nõukogu direktiivile 2002/96/EÜ elektri- ja elektroonikaseadmete jäätmete kohta ning selle ülevõtmisele liikmesriikide õigusesse tuleb kasutusressursi ammendanud elektrilised tööriistad eraldi kokku koguda ja keskkonnasäästlikult ringlusesse võtta.

TEHNILISED ANDMED

ÜLDISED ANDMED

Nimipinge	230 V, 50 Hz
Nimivõimsus	130 W
Nimipöörded	33 000 p/min
Tsang	0,8 mm, 1,6 mm, 2,4 mm, 3,2 mm
<input type="checkbox"/> Kaitseklass II	Topeltisolatsiooniga ehitustööriistad

PIKENDUSJUHE

Kasutage üksnes täielikult lahti keritud ja kahjustusteta 5 A kaitsmega pikendusjuhet.

MOOTORI SPETSIFIKATSIOONID

Universaalne seade Multitool on varustatud reguleeritavate pöörtega mootoriga. Seade on ette nähtud kasutamiseks pingel 230 V, 50 Hz. Veenduge alati, et pinge ühtib seadme andmesildil märgitud pingega.

MONTAAŽ

ENNE TARVIKUTE VÕI TSANGI VAHETAMIST JA SEADME HOOLDAMIST EEMALDAGE ALATI SEADME PISTIK PISTIKUPESAST.

ÜLDTEAVE

Dremel Multitool on seade üliisuurt täpsust nõudvate tööde tegemiseks. Dremeli tarvikute ja otsakute lai valik võimaldab seadet kasutada väga erinevateks töödeks. Need hõlmavad näiteks lihvimist, freesimist, graveerimist, lõikamist, puhastamist ja poleerimist.

JOONIS 1

- Kinnitusmutter
- Kinnitustsang
- EZ Twist™-i integreeritud võti/otsakumuhv
- Spindilukustusnupp
- On/Off-lüliti
- Riputusseadis
- Toitejuhe
- Ventilatsioonivad
- Harjakate (üks mõlemal küljel)
- Ventilatsioonivad

KINNITUSTSANGID

Dremeli Multitool tarvikute saba läbimõõt on erinev. Erinevate läbimõõtude jaoks on saadaval neli kinnitustsangi. Kinnitustsangi suurus on tuvastatav tsangi tagaküljel asuvate rõngaste abil.

JOONIS 2

- K. 3,2 mm kinnitustsang ilma rõngata (480)
- L. 2,4 mm kinnitustsang kolme rõngaga (481)
- M. 1,6 mm kinnitustsang kahe rõngaga (482)
- N. 0,8 mm kinnitustsang ühe rõngaga (483)

MÄRKUS: Mõned Multitool komplektid ei sisalda kõiki kinnitustsange. Kinnitustsangid on lisatarvikutena eraldi saadaval.

Kasutage alati tarviku saba läbimõõduga sobivat kinnitustsangi. Ärge kunagi suruge suurema läbimõõduga tarviku saba jõuga väiksemasse kinnitustsangi.

KINNITUSTSANGIDE VAHETAMINE

JOONIS 3

- O. Spindliilukustusnupp
- P. Kinnitusmutter
- Q. Vabastada
- R. Pingutada
- S. Pingutusvõti

1. Vajutage spindliilukustusnupp alla, hoidke seda all ja keerake tarviku saba käega kinni. Ärge kunagi käsitsege spindliilukustusnupu siis, kui seade töötab.
2. Hoidke spindliilukustusnupu all, keerake lahti tsangi kinnitusmutter ja eemaldage see. Vajaduse korral kasutage kinnitustsangi võtit.
3. Tõmmake tsang spindlist välja.
4. Asetage soovitud suurusega tsang täielikult spindlisse ja keerake see kinnitusmutriga kõvasti kinni. Ärge pingutage mutrit kunagi täielikult kinni, kui tarvikut ei ole paigaldatud.

TARVIKUTE VAHETAMINE

JOONIS 3/5

1. Vajutage spindliilukustusnupu ja keerake spindlit, kuni see lukustub. Ärge kunagi käsitsege spindliilukustusnupu siis, kui seade töötab.
2. Hoidke spindliilukustusnupu all ja keerake lahti kinnitusmutter (õige seda eemaldage). Vajaduse korral kasutage kinnitustsangi võtit.
3. Lükake tarviku saba täielikult tsangi.
4. Hoidke spindliilukustusnupu all ja keerake kinnitusmutrit käega, kuni tarviku saba on tsangis kinni.
MÄRKUS: Järgige tingimata ka asjaomase tarviku kasutusjuhiseid ja ohutusnõudeid.

Kasutage üksnes Dremeli poolt testitud kvaliteetseid tarvikuid.

EZ TWIST™-I INTEGREERITUD VÕTI/ OTSAKUMUHV

JOONIS 4/5

T. EZ Twist™-i integreeritud võti/otsakumuhv

Tööriista otsakumuhvil on integreeritud võti, mille abil saate lõdvendada ja pingutada tsangi kinnitusmutrit standardse kinnitusvõtme abita.

1. Keerake otsakumuhv tööriistalt maha, joondage muhvi sees olev terasosa tsangi kinnitusmutriga.
2. Vajutage spindliilukustusnupp alla ja keerake kinnitusmutrit lõdvendamiseks otsakumuhvi vastupäeva. Ärge kunagi käsitsege spindliilukustusnupu siis, kui seade töötab.
3. Lükake tarviku saba täielikult tsangi.
4. Vajutage spindliilukustusnupp alla ja keerake kinnitusmutrit pingutamiseks otsakumuhvi päripäeva.
5. Keerake otsakumuhv tagasi algasendis.

MÄRKUS: Järgige tingimata ka asjaomase tarviku kasutusjuhiseid ja ohutusnõudeid.

Kasutage üksnes Dremeli poolt testitud kvaliteetseid tarvikuid.

TÖÖJUHISED

KÄSITSEMINE

Esmalt peaksite omandama seadme suhtes teatud tunnetuse. Võtke seade kätte ja tunnetage selle kaalu ja raskuset. Pöörake tähelepanu korpuse kujule. See lubab hoida seadet käes nagu sulepead või pliiaitsit. Ainulaadne pehmendi seadme otsas tagab mugava käsitemise ja parema kontrolli.

Hoidke seadet alati oma näost eemal. Ebasoodsatel asjaoludel võivad vigastatud tarviku osad kõrgetel pööretel eralduda ja eemale paiskuda.

Hoidke seadet nii, et Te ei kata käega kinni seadme ventilatsioonivavasid. Ventilatsioonivade kinniktmise korral võib mootor üle kuumeneda.

OLULINE! Harjutage kõigepealt proovitükil, et näha, kuidas tööriist suurtel pööretel käitub. Parimad tulemused saavutate siis, kui kasutate õiget pöörete arvu ja sobivaid Dremeli tarvikuid ning otsakuid. Võimaluse korral ärge rakendage liigset survet. Viige tarvik ettevaatlikult tööpinnaga kokku ja puudutage õrnalt kohta, kust soovite töötlemist alustada. Keskenduge tööriista juhtimisele, kasutades selleks võimalikult vähe survet. Laske tarvikul oma tööd teha.

Tavaliselt on parem, kui teete tööriistaga mitu lõiget, mitte kogu töö ühe korraga. Pealegi on Teil mõõduka surve korral seade paremini kontrolli alla ning vigade oht on väiksem.

Täpse töö tegemiseks tuleb seadet hoida nagu pliiaitsit pöidla ja nimetissõrme vahel. JOONIS 6

Golfikepimeetod on ette nähtud kasutamiseks raskemate tööde, näiteks lihvimise ja lõikamise puhul. JOONIS 7

PÖÖRETE ARV

See tööriist on kõrgetel pööretel töötav universaalitööriist. Pöörete arv jääb vahemikku 10 000 kuni 33 000 p/min. Töödeldava materjali ja tarviku jaoks õige pöörete arvu valikuga saavutate

paremad lõpptulemused. Parimate tulemuste saavutamiseks reguleerige pöörded antud töö jaoks sobivaks. Tarviku jaoks õige kiiruse valimiseks harjutage kõigepealt jääkmaterjali peal. Sarja 3000 universaaltööriista pöörete arvu regulaator on varustatud astmetega. Kasutatava materjali jaoks sobiva pöörete arvu ja tarviku leiate tabelist lk 4-7.

Enamikus töid saab teha maksimaalsetel pööretel. Mõned materjalid (teatud plastid ja metallid) võivad aga kõrgetel pööretel tekkiva kuumuse tõttu kahjustada ja neid tuleks seetõttu töödelda madalamatel pööretel. Madalamad pöörded (15 000 p/min või vähem) sobivad üldjuhul poleerimiseks vildist poleerimistarvikutega. Harjadega töötlemisel tuleb samuti valida madalamad pöörded, et vältida harjaste ja traatide lahtitulekut. Ka madalamatel pööretel tuleks töötada liigse survega. Kõrgemad pöörded sobivad kõva puidu, metalli ja klaasi töötlemiseks, samuti puurimiseks, lõikamiseks, freesimiseks, vormimiseks ja soonte lõikamiseks puitu. Regulaatori asendid vastavad järgmistele pööretele:?

Ligikaudsed pöörded tööriistamudelil 3000 eri kiirusastmete puhul.

Lülitli aste	Kiirusvahemik
1–2	10 000–14 000 p/min
3–4	15 000–19 000 p/min
5–6	20 000–23 000 p/min
7–8	24 000–28 000 p/min
9–10	29 000–33 000 p/min

Mõned pöörete arvu kohta käivad soovitusused:

- Plaste ja teisi madalama sulamispunkti materjale tuleks töödelda madalamatel pööretel.
- Traatharjaga poleerida, peenlihvida ja puhastada tohib ainult lülitiga asendis 1, et vältida harja ja materjali kahjustumist.
- Puidulõiketöid tuleb teha kõrgetel pööretel.
- Raua- ja teraselõiketöid tuleb teha kõrgetel pööretel.
- Kui kõrge kiirusega terasfrees hakkab vibreerima, viitab see üldjuhul sellele, et frees töötab liiga aeglaselt.
- Alumiiniumi, vase-, plii-, tsingisulameid ja tina võib sõltuvalt konkreetsest tööst töödelda eri pööretel. Määrige lõiketarvikut parafini või mõne muu sobiva määrdega (mitte veega), et vältida laastude kinnikleepumist tarviku lõikeservade külge.

MÄRKUS: Seadmele avaldatav suurem surve ei paranda töötulemust. Soovitud tulemuse saavutamiseks kasutage mõnda teist tarvikut või reguleerige pöörete arvu.

HOOLDUS

Vigastuste ja/või ohtude ennetamiseks tohivad hooldus- ja parandustöid teha ainult volitatud isikud. Soovitame lasta hooldus- ja parandustöid teha üksnes Dremeli volitatud parandustöökojas. Et vältida juhuslikust sisselülitamisest põhjustatud vigastusi ja elektrilööke, tuleb seade enne hooldus- ja parandustööde teostamist alati välja lülitada.

TURVAHARJAD

Seadme harjad on pikaealised ja vastupidavad. Et harjade kasutusiga veelgi pikendada, tuleks seadmel enne esmakordset kasutamist umbes viis minutit tühikäigul töötada lasta. See paneb harjad korrektseks tööle ja pikendab tööriista kasutusiga. Mootori

tõhusa töö tagamiseks tuleks harjad iga 40-50 töötunni järel üle vaadata.

Kulunud harjadega seadme kasutamine tekitab mootoril püsivad kahjustused. Kasutage üksnes Dremeli originaalharju. Kontrollige harju iga 40-50 töötunni järel. Kui seadme töös esineb tõrkeid, seadme võimsus väheneb või seade teeb ebaharilikku müra, kontrollige harju ja vahetage need vajaduse korral välja. Harjade kontrollimisel ja väljavahetamisel toimige järgnevalt:

1. Tõmmake pistik pistikupesast välja ja asetage tööriist puhtale tööpinnale. Harjakatte eemaldamiseks kasutage kruvikeerajana kinnitustsangi võtit. JOONIS 8
2. Tõmmake süsinikharjade küljes olevat vedru ja eemaldage harjad tööriistast. Kui hari on lühem kui 3 mm või kokkupuutekohast kare või ebatasane, tuleb see välja vahetada. Harjad tuleb alati paarina välja vahetada. JOONIS 9
3. Kui üks hari on kulunud, tuleb tööriista tõhusa töö tagamiseks välja vahetada mõlemad harjad. Vajutage vedrule, võtke kulunud hari välja ja asendage see uuega.
4. Asetage süsinikhari ja vedru tagasi tööriistale. Hari fikseerub tööriistal vaid ühes asendis.
5. Asetage kohale harjakate ja keerake see päripäeva kinni. Kasutage kinnitustsangi võtit, kuid ÄRGE PINGUTAGE KATET LIIGA TUGEVASTI KINNII! Pärast harjade vahetamist peaks seade enne kasutamist töötama viis minutit maksimaalsetel tühikäigupööretel. See tagab harjade õige asetuse ja pikendab nende kasutusiga. Samuti pikendab see seadme kasutusiga.

TÖÖRIISTA PUHASTAMINE

ENNE SEADME PUHASTAMIST EEMALDAGE ALATI SEADME PISTIK PISTIKUPESAST

Ventilatsioonivad ja lülitushoovad tuleb hoida puhastena ja võõrkehadeta. Ärge torgake puhastamiseks avadesse mingeid esemeid.

Seadet võib puhastada suruõhuga. Suruõhuga puhastades kandke alati kaitseprille.

Dremeli seadet ei ole vaja määrada.

Teatud puhastusvahendid ja lahused võivad tööriista plastdetailide kahjustada. Sellised vahendid on näiteks: bensiin, süsinik tetrakloriid, klooritud puhastuslahused, ammoniaak ja kodumajapidamises kasutatavad puhastusvahendid, mis sisaldavad ammoniaaki.

Pehmendiga käepidet soovivate puhastada niiske lapiga. Vaga määratud kohti tuleb vajaduse korral üle pühkida mitu korda.

HOOLDUS JA GARANTII

Käesoleva DREMELI toote suhtes kehtib garantii vastavalt kasutusriigis kehtivatele nõuetele. Garantii ei laiene normaalsest kulumisest, ülekoormusest ja seadme ebaõigest kasutamisest põhjustatud kahjustustele.

Kaebuste korral saatke palun lahtivõtmata tööriist koos ostukviitungiga edasimüüjale.

Lisateavet Dremeli kohta leiate veebisaidilt www.dremel.com

Dremel Europe, P.O. Box 3267, 4800 DG Breda, Holland

LT ORIGINALIŲ INSTRUKCIJŲ VERTIMAS

NAUDOJAMI SIMBOLIAI



PERSKAITYKITE ŠIAS INSTRUKCIJAS



DĒVĒKITE APSAUGĀ AUSIMS



DĒVĒKITE AKIŲ APSAUGOS PRIEMONES



DĒVĒKITE NUO DULKIŲ APSAUGANČĪĀ KAUKĒ

BENDRIEJI ELEKTRINIO ĪRANKIO SAUGOS PERSPĒJIMAI



ISPĒJIMAS PERSKAITYKITE VISUS SAUGOS PERSPĒJIMUS IR

INSTRUKCIJAS.

Jeigu nesilaikysite perspĒjimų ir instrukciju reikalavimų, galite gauti elektros smūgį, sukelti gaisrą ir (arba) rimtai susižeisti.

Visus perspĒjimus ir instrukcijas išsaugokite ateičiai.

Terminas „elektrinis įrankis“ visuose toliau pateiktuose perspĒjimuose reiškia maitinamą iš elektros tinklo (laidinį) arba akumuliatoriaus (belaidį) elektrinį įrankį.

DARBO VIETOS SAUGA

- Darbo vieta turi būti švari ir gerai apšviesta.** Netvarkingose ir neapšviestose vietose gali įvykti nelaimingas atsitikimas.
- Elektrinių įrankių nenaudokite sprogioje aplinkoje.** Pavyzdžiui ten, kur yra greitai užsiliepsnojančių skysčių, dujų arba dulkių. Naudojant elektrinius įrankius, jie kibirkščiuoja, todėl dulksės arba susikaupę garai gali užsiliepsnoti.
- Dirbdami su elektriniu įrankiu neleiskite prisitarti vaikams ir pašaliniam asmenims.** Jeigu jūsų dėmesys bus blaškomas, galite nebesuvaldyti įrankio.

ELEKTROSAUGA

- Elektrinio įrankio kištukai turi atitikti elektros lizdą.** Draudžiama bet koku būdu keisti kištuką. Dirbdami su įžemintais elektriniais įrankiais nenaudokite kištukų

adapterių. Elektros smūgio tikimybę sumažinsite naudodami nepakeistus kištukus ir juos atitinkančius lizdus.

- Stenkitės neprisiliesti prie įžemintų paviršių, pavyzdžiui, vamzdžių, radiatorių, viryklių ar šaldytuvų.** Jeigu jūsų kūnas bus įžemintas, elektros smūgio tikimybė bus didesnė.
- Saugokite elektrinius įrankius nuo lietaus ir drėgmės.** Jeigu į elektrinį įrankį pateks vandens, padidės elektros smūgio tikimybė.
- Nenaudokite laido ne pagal paskirtį.** Jokių būdu elektrinio įrankio neneškite, netempkite ir iš lizdo netraukite už laido. Laidą saugokite nuo karščio, alyvos, aštrių briaunų ar judančių dalių. Elektros smūgio tikimybė padidėja, jei naudojamas pažeistas arba susimazgęs laidas.
- Kai dirbate su elektriniu įrankiu lauke, naudokite ilginamąjį laidą, tinkamą naudoti lauko sąlygomis.** Kai naudojamas darbu lauke skirtas laidas, sumažėja elektros smūgio tikimybė.
- Jei elektrinį įrankį reikia naudoti drėgnoje vietoje, naudokite nuotėkio srovės apsauginiu išjungikliu apsaugotą srovės šaltinį.** Naudojant nuotėkio srovės išjungiklį, sumažėja elektros smūgio pavojus.

ŽMONIŲ SAUGA

- Naudodami elektrinį įrankį būkite budrūs, stebėkite, ką darote, ir vadovaukitės sveiku protu.** Elektrinio įrankio nenaudokite, jeigu esate pavargę, apsaugę nuo narkotikų, alkoholio ar vaistų. Tereikia tik akimirksniui nukreipti dėmesį dirbant su elektriniais įrankiais ir galite sunkiai susižeisti.
- Naudokite saugos priemones.** Būtinai užsidėkite akių apsaugą. Tokios saugos priemonės kaip kaukė nuo dulkių, batai neslidžiais padais, apsauginis šalmas ar klausos apsaugos priemonės, naudojamos atitinkamomis sąlygomis, sumažins traumų tikimybę.
- Saugokitės, kad neįjungtumėte prietaiso netyčia.** Prieš įjungdami į lizdą ir (arba) prie baterijos, prieš pakeldami arba pernešdami prietaisą patikrinkite, ar jungiklis yra padėtyje „off“. Jeigu elektrinį įrankį nešite ant jungiklio uždėję pirštą arba bandysite įrankį prijungti prie elektros tinklo, kai jungiklis yra padėtyje „on“, galite susižeisti.
- Prieš įjungdami elektrinį įrankį, nuimkite visus reguliuojamus raktus ir veržliarakčius.** Jeigu ant besisukančios elektrinio įrankio dalies bus paliktas uždėtas veržliaraktis arba raktas, galite susižeisti.
- Nepervertinkite savo jėgų.** Visada stovėkite tvirtai ir išlaikykite pusiausvyrą. Taip galėsite geriau suvaldyti įrankį nenumatytoje situacijoje.
- Vilkėkite tinkamą aprangą.** Nevilkėkite plačių drabužių ir papuošalų. Saugokitės, kad judančios dalys neprisiliestų prie plaukų, drabužių ar pirštinių. Plačius drabužius, papuošalus ar ilgus plaukus gali įtraukti besisukančios dalys.
- Jei yra numatyta galimybė prijungti dulkių nusiurbimo ar surinkimo įrenginius, visada įsitikinkite, ar jie yra prijungti ir ar tinkamai naudojami.** Naudojant dulkių nusiurbimo įrenginius sumažėja dulkių keliamas pavojus.

ELEKTRINIO ĮRANKIO NAUDOJIMAS IR PRIEŽIŪRA

- a. Neperkraukite prietaiso. Naudokite jūsų darbiui tinkamą elektrinį įrankį. *Su tinkamu elektriniu įrankiu darba atliksite geriau ir saugiau, jei naudosite jį gamintojo numatytame galios diapazone.*
- b. Elektrinio įrankio nenaudokite, jei neveikia jungiklis. *Bet kuris elektrinis įrankis, kurio negalima valdyti jungikliu, yra pavojingas ir jį būtina remontuoti.*
- c. Prieš reguliuodami prietaisą, keisdami darbo įrankius ar prieš valydami prietaisą, iš elektros tinklo lizdo ištraukite kištuką ir (arba) išimkite akumuliatorių. *Šios prevencinės saugos priemonės sumažina netyčinio elektrinio įrankio įjungimo riziką.*
- d. Nenaudojamus elektrinius įrankius laikykite vaikams nepasiekiamose vietose, taip pat neleiskite asmenims, nemokantiems dirbti su elektriniu įrankiu arba nesusipažinusiems su šiomis instrukcijomis, naudotis elektriniu įrankiu. *Elektriniai įrankiai yra pavojingi, kai juos naudoja neapmokyti asmenys.*
- e. Prižiūrėkite elektrinius įrankius. Patikrinkite, ar judančios dalys nepasislinkusios arba neįstrigusios, ar nėra sulūžusių dalių ar kitų gedimų, kurie gali turėti įtakos elektrinio įrankio veikimui. Pastebėję gedimų, elektrinį įrankį sutvarkykite prieš naudodami. *Daugybė nelaimingų atsitikimų įvyksta dėl netvarkingų elektrinių įrankių.*
- f. Pjovimui skirti įrankiai turi būti aštrūs ir švarūs. *Jeigu pjovimo įrankiai su aštriomis pjaunamosiomis briaunomis tinkamai prižiūrimi, jie rečiau stringa ir juos lengviau valdyti.*
- g. Elektrinį įrankį, jo priedus, dalis ir pan. naudokite laikydamiesi šių instrukcijų ir pagal konkrečiam elektriniam įrankiui numatytą paskirtį, atsižvelgdami į darbo sąlygas ir atliekamą darbą. *Jeigu elektrinis įrankis naudojamas ne pagal paskirtį, gali susidaryti pavojinga situacija.*

TECHNINĖ PRIEŽIŪRA

- a. Elektrinį įrankį turi remontuoti tik kvalifikuoti specialistai ir naudoti tik originalias atsargines dalis. *Taip galima garantuoti, jog elektrinis įrankis išliks saugus naudoti.*

BENDROS SAUGAUS DARBO INSTRUKCIJOS

VISIEMS, ŠLIFAVIMO, VALYMO, POLIRAVIMO IR ABRAZYVINIO PJOVIMO DARBAMS BENDRAI TAIKOMOS SAUGUMO PASTABOS

- a. Šis elektrinis įrankis skirtas šlifavimui, valymui (įskaitant švitriniu popieriumi ir vieliniu šepčiu), poliravimui bei abrazyviniam pjovimui. Griežtai laikytis visų išpėjamųjų nuorodų, taisyklių, ženklų ir užrašų, kurie yra pateikiami su šiuo prietaisu, reikalavimų. *Jei nepaisysite toliau pateiktų nuorodų, gali kilti elektros smūgio, gaisro ir/arba sunkių sužalojimų pavojus.*
- b. Nenaudokite jokių priedų ir papildomos įrangos, kurių gamintojas nėra specialiai numatęs ir rekomandavęs šiam

- elektriniam prietaisui. *Vien tik tas faktas, kad Jūs galite pritvirtinti kokį nors priedą prie Jūsų elektrinio prietaiso, joki būdu negarantuoja, kad juo bus saugu naudotis.*
- c. Naudojamų darbo įrankių maksimalus leistinas apsisukimų skaičius turi būti ne mažesnis, nei maksimalus sukčių skaičius, nurodytas ant elektrinio prietaiso. *Priedai, besisukantys greičiau nei jų leistinas nominalusis greitis, gali nulėkti nuo įrankio.*
- d. Naudojamo darbo įrankio išorinis diametras ir storis turi atitikti nurodytuosius Jūsų elektrinio prietaiso parametrus. *Netinkamų matmenų įrankius gali būti sunku tinkamai apsaugoti bei valdyti.*
- e. Šlifavimo diskai, flanšai, šlifavimo žiedai ar kiti darbo įrankiai turi tiksliai tikti elektrinio prietaiso šlifavimo sukliui. *Darbo įrankiai, kurie netiksliai užsimauna ant šlifavimo suklio, sukasi netolygiai, labai stipriai vibruoja ir dėl to prietaisas gali tapti nevaldomas.*
- f. Nenaudokite pažeistų darbo įrankių. Prieš kiekvieną naudojimą patikrinkite tokius įrankius, kaip abrazyviniai diskai, ar jie nėra aplūžinęję arba įtrūkę, šlifavimo žiedus - ar jie nėra įtrūkę, susidėvėję ar nudilę, vielinius šepčius - ar jų vielutės nėra atsilaisvinę ar nutrūkę. Jei elektrinis prietaisas arba darbo įrankis nukrito iš didesnio aukščio, patikrinkite, ar jis nėra pažeistas, arba iš karto sumontuokite kitą - nepažeistą - darbo įrankį. Patikrinę ir sumontavę darbo įrankį pasirūpinkite, kad nei jūs, nei greta esantys asmenys nebūtų darbo įrankio sukimosi plokštumoje, ir leiskite elektriniam prietaisui vieną minutę veikti didžiausiu sukčių skaičiumi. *Jei darbo įrankis yra pažeistas, jis turėtų per šį bandymo laiką subyrėti.*
- g. Naudokite individualias apsaugos priemones, ir visuomet užsidėkite veido apsaugą ar apsauginius akinius. Jeigu reikia, užsidėkite kaukę nuo dulkių, klausos apsaugą, pirštines ir prijuostę, galinčią apsaugoti nuo smulkių abrazyvinių arba apdirbamo gaminio fragmentų. *Akys turi būti apsaugotos nuo aplinkui skraidančių svetimkūnių, atsirandančių atliekant įvairius darbus. Respiratorius turi išfiltruoti dirbant kylančias dulkes. Dėl ilgalaikio didelio triukšmo poveikio galite prarasti klausą.*
- h. Pasirūpinkite, kad kiti asmenys būtų saugiami atstume nuo Jūsų darbo zonos. Kiekvienas, kuris įžengia į darbo zoną, turi naudoti asmenines apsaugos priemones. *Ruošinio dalelės ar atskilę įrankio gabalėliai gali skrieti dideliu greičiu ir sužeisti asmenis, net ir esančius už tiesioginės darbo zonos ribų.*
- i. Jei yra tikimybė, jog dirbant įrankis gali kiudyti paslėptą laidą ar paties prietaiso kabelį, prietaisą laikykite tik už izoliuotų paviršių. *Dėl kontakto su laidininku, kuriuo teka elektros srovė, prietaiso metalinėse dalyse gali atsirasti įtampa ir sukelti elektros smūgio pavojų naudotojui.*
- j. Ruošinį prie stabilios platformos tvirtinkite gnybtais arba kitomis praktiškėmis priemonėmis. *Ruošinį laikant rankomis arba įrėmus į kūną, ruošinys bus nestabilus ir sunkiai suvaldomas.*
- k. Elektros maitinimo kabelį laikykite toliau nuo besisukančių darbo įrankių. *Jei nesuvaldytumėte prietaiso, darbo įrankis gali perpjauti maitinimo kabelį arba jį įvynioti, tuomet jūsų plaštaka ar ranka gali paliesti besisukančių darbo įrankį.*
- l. Išjungę elektrinį prietaisą, niekuomet jo nepadėkite tol,

kol darbo įrankis visiškai nesustos. *Besisukantis darbo įrankis gali prisiliesti prie paviršiaus, ant kurio padedate prietaisą, ir prietaisas gali tapti nevaldomas.*

- m. **Nešdami prietaisą niekuomet jo neįjunkite.** *Netyčia prisilietus prie besisukančio darbo įrankio, jis gali įvynti drabužius ir Jus sužeisti.*
- n. **Reguliariai valykite ventiliacines angas Jūsų prietaiso korpusė.** *Vanklio ventiliatorius siurbia dulkes į korpusą, ir, susikaupus daug metalo dulkių, gali kilti elektros smūgio pavojus.*
- o. **Niekuomet nenaudokite elektrinio prietaiso arti lengvai užsidegančių medžiagų.** *Kylančios kibirkštys gali jas uždegti.*
- p. **Nenaudokite darbo įrankių, kuriuos reikia aušinti skyčiais.** *Naudojant vandenį ar kitokius aušinimo skysčius gali kilti elektros smūgio pavojus.*
- q. **Nedirbkite su medžiagomis, kurių sudėtyje yra asbesto (asbestas laikomas kancerogenine medžiaga).**
- r. **Įmkitės apsaugos priemonių, kai darbo metu gali atsirasti sveikatai kenksmingų, lengvai užsidegančių ar sprogių dulkių (kai kurios dulkės laikomos kancerogeninėmis); dėvėkite kaukę nuo dulkių ir, jeigu galima prijungti, naudokite dulkių/pjūvenų ištraukimo įrangą.**

ATATRANKOS JĖGOS IR SUSIJĘ ĮSPĖJIMAI

Atatranka yra staigi reakcija, atsirandanti tuomet, kai besisukantis darbo įrankis, pvz., šlifavimo diskas, šlifavimo žiedas ar vielinis šepetys, užkliūva, įstringa ruošinyje ir dėl to netikėtai sustoja. Dėl to prietaisas gali nekontroliuojamai atšokti nuo ruošinio priešinga kryptimi darbo įrankio sukimosi kryptimi. Pvz., jei šlifavimo diskas įstringa arba užsiblokuoja ruošinyje, disko kraštas, kuris yra įleistas į ruošinį, gali išlūžti arba sukelti atatranką. Šlifavimo diskas tuomet ima judėti link dirbančiojo arba nuo jo, priklausomai nuo disko sukimosi krypties blokovimo vietoje. Be to, šlifavimo diskas gali ir subyrėti. Atatranka yra neteisingo elektrinio prietaiso naudojimo arba klaidos pasekmė. Jos galima išvengti, jei imsitės atitinkamų priemonių, kaip aprašyta žemiau.

- a. **Dirbdami visada tvirtai laikykite prietaisą abiem rankomis ir stenkitės išlaikyti tokią kūno ir rankų padėtį, kurioje sugebėtumėte atsispirti prietaiso pasipriešinimo jėgai atatrankos metu.** *Visuomet naudokite pagalbinę rankeną, jei tokia yra, tuomet galėsite suvaldyti atatrankos jėgas bei reakcijos jėgų momentą. Dirbantysis gali suvaldyti atatrankos ir reakcijos jėgas, jei imsis tinkamų saugos priemonių.*
- b. **Nelaikykite rankos arti besisukančio darbo įrankio.** *Darbo įrankis, įvykus atatrankai, gali pajudėti link Jūsų rankos.*
- c. **Venkite, kad jūsų kūno dalys būtų toje zonoje, kurioje įvykus atatrankai juda prietaisas.** *Atatrankos jėga verčia prietaisą judėti nuo blokovimo vietos priešinga kryptimi darbo įrankio sukimosi kryptimi.*
- d. **Itin atsargiai dirbkite ties kampais, aštriomis briaunomis ir t.t. Pasistenkite dirbti taip, kad įrankis neatsimuštų į kliūtis ir neįstrigtų.** *Besisukantis įrankis turi tendenciją kampuose, ties aštriomis briaunomis arba atsimušęs į kliūtį užstrigti. Tuomet prietaisas tampa nevaldomas arba įvyksta atatranka.*
- e. **Nenaudokite jokių grandinių ar dantytų pjovimo diskų.** *Tokie įrankiai dažnai sukelia atatranką ir elektrinį prietaisą gali būti sunku suvaldyti.*

SPECIALIOS ĮSPĖJAMOSIOS NUORODOS ATLIEKANTIEMS ŠLIFAVIMO IR PJOVIMO DARBUS

- a. **Naudokite tik su šiuo prietaisu leidžiamus naudoti šlifavimo įrankius ir šiems įrankiams pritaikytus apsauginius gaubtus.** *Šlifavimo įrankiai, kurie nėra numatyti šiam prietaisui, gali būti nepakankamai uždengti ir todėl nesaugūs naudoti.*
- b. **Šlifavimo įrankius leidžiama naudoti tik pagal rekomenduojamą paskirtį.** *Pavyzdžiui: nešlifukokite paviršių pjovimo disko kraštu. Pjovimo diskai yra skirti medžiagai pašalinti disko pjaunamąja briauna. Nuo šoninės apkravos šie šlifavimo įrankiai gali sulūžti.*
- c. **Jūsų pasirinktiems šlifavimo diskams tvirtinti visuomet naudokite nepažeistus tinkamo dydžio ir formos prispaudžiamuosius flanšus.** *Tinkami flanšai prilaiko šlifavimo diską ir sumažina lūžimo pavojų. Pjovimo diskams skirti flanšai gali skirtis nuo kitiems šlifavimo diskams skirtų flanšų.*
- d. **Nenaudokite sudilusių diskų, prieš tai naudotų su didesnėmis kampinio šlifavimo mašinomis.** *Diskai, skirti didesniems prietaisams, nėra pritaikyti dideliems mažųjų prietaisų išvystomiems sukiamis ir gali sulūžti.*

PAPILDOMOS SPECIALIOS ĮSPĖJAMOSIOS NUORODOS ATLIEKANTIEMS PJOVIMO DARBUS

- a. **Venkite užblokuoti pjovimo diską ar pernelyg stipriai jį spausiti prie ruošinio.** *Nemėginkite atlikti pernelyg gilų pjūvių. Pernelyg prispaudus pjovimo diską, padidėja jam tenkanti apkrova ir atsiranda didesnė tikimybė jį pakreipti bei užblokuoti pjūvyje, taigi padidėja atatrankos ir disko lūžimo rizika.*
- b. **Venkite būti zonoje, esančioje prieš ir už besisukančio pjovimo disko.** *Kuomet įjaudami ruošinį pjovimo diską stumiate nuo savęs, įvykus atatrankai, prietaisas su besisukančiu disku pradės judėti tiesiai į Jus.*
- c. **Jei pjovimo diskas užstringa arba Jūs norite nutraukti darbą, išjunkite prietaisą ir laikykite jį ramiai, kol diskas nustos sukstis.** *Niekuomet nemėginkite iš pjūvio vietos ištraukti dar tebesisukančią diską, nes tai gali sukelti atatranką. Nustatykite ir pašalinkite disko strigimo priežastį.*
- d. **Neįjunkite prietaiso iš naujo tol, kol diskas neištrauktas iš ruošinio.** *Leiskite pjovimo diskui iki galo išsibėgėti ir tik po to atsargiai tęskite pjovimą. Priešingu atveju diskas gali užstrigti, iššokti iš ruošinio ar sukelti atatranką.*
- e. **Plokštes ar didelius ruošinius paremkite, kad sumažintumėte atatrankos riziką dėl užstrigusio pjovimo disko.** *Dideli ruošiniai gali išlinkti dėl savo pačių svorio. Ruošinyje turi būti paremtas iš abiejų pusių, tiek ties pjūvio vieta, tiek ir prie krašto.*
- f. **Būkite itin atsargūs darydami pjūvius sienose ar kituose nepermatomuose paviršiuose.** *Panyrantis pjovimo diskas gali pažeisti elektros laidus, dujotiekio ar vandentiekio vamzdžius ar kitus objektus ir sukelti atatranką.*

ŠLIFAVIMO DARBAMS TAIKOMOS SAUGUMO PASTABOS

- a. Diskams nenaudokite per didelio dydžio šlifavimo popieriaus. Pasirinkdami šlifavimo popierių laikykites gamintojo rekomendacijų. *Dėl per didelio šlifavimo popieriaus disko, kuris išsikūša už šlifavimo pado, atsiranda įplyšimo pavojus, šlifavimo popieriaus diskas gali būti nuplėštas arba užkliūti, atsirasti atatranka.*

POLIRAVIMO DARBAMS TAIKOMOS SAUGUMO PASTABOS

- a. Nepalikite kabančių poliravimo gaubto dalių ar tvirtinamųjų raištelių. *Jei reikia, raištelius pakiškite arba sutrumpinkite. Kabantys besisukantys tvirtinamieji raišteliai gali pagriebti Jūsų pirštą ar įstrigti ruošinyje.*

ŠLIFAVIMO DARBAMS, NAUDOJANT VIELINĮ ŠEPETĮ, TAIKOMOS SAUGUMO PASTABOS

- a. Atminkite, kad net ir įprastai naudojant prietaisą, nuo šepečio gali atsokti vielos šereliai. Per stipriai nespauskite šepečio. *Vielos šereliai gali nesunkiai pralįsti pro plonus drabužius ir/arba įsmigti į odą.*
- b. Jeigu vielinį šepetį rekomenduojama naudoti su apsauga, užtikrinkite, kad apsauga nesilieptų prie vielinio disko arba šepečio. *Dėl darbinės aprakvos ir išcentrinų jėgų gali padidėti vielinio disko arba šepečio skersmuo.*

ĮRANKIO NAUDOJIMUI TAIKOMOS SAUGUMO PASTABOS

- a. Prietaisą leidžiama naudoti tik šlifavimui sausuoju būdu. *Į elektrinį įrankį patekęs vanduo padidina elektros smūgio riziką.*
- b. Nelaikykite rankų arti pjovimo zonos. Nekiškite rankų po ruošiniu. *Dėl kontakto su pjūkleliu kyla pavojus susižeisti.*
- c. Prieš pradėdami darbą, tinkamai ieškikliais patikrinkite, ar po norimais apdirbti paviršiais nėra pavestų elektros laidų, dujų ar vandentiekio vamzdžių. Jei abejojate, galite pasikviesti į pagalbą vietinius komunalinių paslaugų teikėjus. *Kontaktas su elektros laidais gali sukelti gaisro bei elektros smūgio pavojų. Pažeidus dujotiekio vamzdį, gali įvykti sprogimas. Pažeidus vandentiekio vamzdį, galima padaryti daugybę nuostolių.*
- d. Darbo metu elektrinį įrankį visuomet būtina laikyti abiem rankomis ir patikimai stovėti. *Elektrinis įrankis yra saugiau valdomas, kai laikomas dviem rankomis.*
- e. Įtvirtinkite ruošinį. *Veržimo įranga arba spaustuvas įtvirtintas ruošinys yra užfiksuojamas žymiai patikimiau nei laikant ruošinį ranka.*
- f. Visuomet valykite darbo vietą. *Medžiagų mišiniai yra ypač pavojingi. Spalvotųjų metalų dulksės gali užsidegti arba sprogti.*
- g. Darbo įrankį keiskite su apsauginėmis pirštinėmis. *Ilgesnį laiką naudojami darbo įrankiai įkaista.*
- h. Apdirbamo paviršiaus neapdorokite skysčiais, kurių sudėtyje yra tirpiklių. *Grandomos medžiagos išsyla, todėl gali susidaryti kenksmingų garų.*
- i. Dirbdami su grandikliu elkitės ypač atsargiai. *Įrankis yra labai aštrus – iškyla sužalojimo pavojus.*

ĮSPĖJIMAS NEDIRBKITE SU MEDŽIAGOMIS, KURIŲ SUDĖTYJE YRA ASBESTO (ASBESTAS LAIKOMAS KANCEROGENINĖ MEDŽIAGA).

ĮSPĖJIMAS IMKITĖS APSAUGOS PRIEMONIŲ, KAI DARBO METU GALI ATSIKISTI SVEIKATAI KENKSMINGŲ, LENGVAI UŽSIDEGANČIŲ AR SPROGIŲ DULKIŲ (KAI KURIOS DULKĖS LAIKOMOS KANCEROGENINĖMS); DĖVĖKITE KAUKĘ NUO DULKIŲ IR, JEIGU GALIMA PRIJUNGTI, NAUDOKITE DULKIŲ/PJUVENŲ IŠTRAUKIMO ĮRANGĄ.

APLINKA

UTILIZAVIMAS

Įrenginys, jo priedai ir pakuotė turi būti rūšiuojami ir atiduodami ekologiniam perdirbimui.

TIK ES VALSTYBĖMS NARĖMS



Elektrinių įrankių neišmeskite kartu su buitinėmis šiukšlėmis!

Remiantis ES direktyva 2002/96/EB dėl elektros ir elektroninės įrangos atliekų ir jos perkėlimu į nacionalinę teisę, nebetinkami naudoti elektriniai įrankiai turi būti surenkami atskirai ir utilizuojami aplinkai nekenksmingu būdu.

TECHNINIAI DUOMENYS

BENDRIEJI TECHNINIAI DUOMENYS

Įtampa	230 V, 50 Hz
Nominali galia	130 W
Nominalus greitis	33 000 aps./min
Spaudžiamoji įvorė	0,8 mm, 1,6 mm, 2,4 mm, 3,2 mm
<input type="checkbox"/> II klasės konstrukcija	Dviguba įrankio konstrukcijos izoliacija

ILGINAMIEJI LAIDAI

Naudokite visiškai išvyniotus ir saugius ilginamuosius laidus, skirtus 5 A stiprumo srovei.

VARIKLIO TECHNINIAI DUOMENYS

Šis daugiavandis įrankis yra varomas kintamų sūkių greitaeigiu varikliu. Paruoštas darbui su 230 V, 50 Hz. Visuomet patikrinkite, ar maitinimo įtampa atitinka įtampos parametrus, nurodytus įrankio vardinėje lentelėje.

SURINKIMAS

PRIEŠ KEISDAMI PRIEDUS, SUSPAUDŽIAMASIS ĮVORIS AR PRIEŠ PRADĖDAMI PRIETAISO TECHNINĖS PRIEŽIŪROS DARBUS, VISADA JĮ IŠJUNKITE IŠ ELEKTROS TINKLO.

BENDROJI DALIS

„Dremel“ daugiafunkcinis įrankis - tai aukštos kokybės tikslus įrankis, kurį galima naudoti detaliam ir sudėtingam darbui atlikti. Platus „Dremel“ priedų ir antgalių asortimentas jums leidžia daryti pačius įvairiausius darbus. Galite šlifuoti švitrinio popieriumi, raižyti ir graviruoti bei frezuoti, pjauti, valyti ir poliuruoti.

1 PAVEIKSLĖLIS

- A. Prispaudžiamoji veržlė
- B. Suspaudžiamoji įvorė
- C. Integruotas raktas/dangtelis EZ Twist™
- D. Suklio fiksavimo mygtukas
- E. Įjungimo / išjungimo jungiklis
- F. Įtaisas įrankiui pakabinti
- G. Laidas
- H. Vėdinimo angos
- I. Anglinių šepetėlių dangtelis (abiejose pusėse)
- J. Vėdinimo angos

SUSPAUDŽIAMOSIOS ĮVORĖS

„Dremel“ daugiafunkcinio įrankio priedų koteliai yra skirtingo skersmens. Šiems skirtingiems skersmenims skirtos keturios suspaudžiamosios įvorės. Suspaudžiamosios įvorės dydį galima atpažinti pagal žiedus ant suspaudžiamosios įvorės atvirkščios pusės.

2 PAVEIKSLĖLIS

- K. 3,2 mm įvorė be žiedo (480)
- L. 2,4 mm įvorė su trimis žiedais (481)
- M. 1,6 mm įvorė su dviem žiedais (482)
- N. 0,8 mm įvorė su vienu žiedu (483)

PASTABA: kai kuriuose daugiafunkcinio įrankio rinkiniuose gali nebūti visų keturių suspaudžiamųjų įvorių. Suspaudžiamąsias įvoras galima įsigyti atskirai.

Visada naudokite priedo kotelio skersmeniui tinkančią suspaudžiamąją įvorę. Niekada neikiškite jėga didelio skersmens kotelio į mažesnę suspaudžiamąją įvorę.

ĮVORIŲ KEITIMAS

3 PAVEIKSLĖLIS

- O. Suklio fiksavimo mygtukas
- P. Prispaudžiamoji veržlė
- Q. Atleisti
- R. Užveržti
- S. Suspaudžiamosios įvorės raktas

1. Pastumkite suklio fiksavimo mygtuką į priekį, nuspauskite ir sukite suklij ranka, kol jis užsifiksuos. *Suklio fiksavimo mygtuko nespauskite, kai daugiafunkcinis įrankis veikia.*
2. Laikydami suklio fiksavimo mygtuką nuspausą, atlaisvinkite ir nuimkite prispaudžiamąją veržlę. Jeigu reikia, naudokite įvorės raktą.
3. Traukdami nuimkite prispaudžiamąją įvorę nuo suklio.
4. Pilnai įstatykite reikiamo dydžio įvorę į suklij ir lengvai

užveržkite prispaudžiamąją veržlę. Niekada visiškai stipriai neužveržkite veržlės, jei neįstatytas joks priedas ar antgalis.

PRIEDŲ KEITIMAS

3/5 PAVEIKSLĖLIS

1. Paspauskite suklio fiksavimo mygtuką ir sukite suklij ranka, kol jis užsifiksuos. *Suklio fiksavimo mygtuko nespauskite, kai daugiafunkcinis įrankis veikia.*
2. Užfiksavus suklio fiksavimo mygtuką, atlaisvinkite (bet nenuimkite) prispaudžiamąją veržlę. Jeigu reikia, naudokite įvorės raktą.
3. Pilnai įstatykite priedo arba antgalio kotelį į įvorę.
4. Užfiksavus suklio fiksavimo mygtuką, ranka priveržkite prispaudžiamąją veržlę tiek, kad suspaustų priedą arba atgalį.
PASTABA: būtina perskaitykite su „Dremel“ priedais pateikiamas instrukcijas, kuriose pateikiama daugiau informacijos apie jų naudojimą.

Naudokite tik „Dremel“ išbandytus kokybiškus priedus.

INTEGRUOTAS RAKTAS/DANGTELIS EZ TWIST™

4/5 PAVEIKSLĖLIS

- T. Integruotas raktas/dangtelis EZ Twist™

Jūsų įrankio antgalio dangtelyje yra integruotas prispaudžiamosios įvorės veržlės raktas, todėl veržlės priveržimui ar atsukimui jums nereikia naudoti jokio papildomo rakto.

1. Nusukite įrankio antgalio dangtelį ir užmaukite vidinėje dangtelio pusėje esančią plieninę įvorę ant prispaudžiamosios įvorės veržlės.
2. Norėdami atlaisvinti prispaudžiamosios įvorės veržlę, užfiksavus suklio fiksavimo mygtuką pasukite antgalio dangtelį prieš laikrodžio rodyklės kryptį. Suklio fiksavimo mygtuko nespauskite, kai daugiafunkcinis įrankis veikia.
3. Pilnai įstatykite priedo arba antgalio kotelį į įvorę.
4. Norėdami priveržti prispaudžiamosios įvorės veržlę, užfiksavus suklio fiksavimo mygtuką sukite antgalio dangtelį laikrodžio rodyklės kryptimi.
5. Prisukite antgalio dangtelį atgal į pradinę padėtį.
PASTABA: būtina perskaitykite su „Dremel“ priedais pateikiamas instrukcijas, kuriose pateikiama daugiau informacijos apie jų naudojimą.

Naudokite tik „Dremel“ išbandytus kokybiškus priedus.

NAUDOJIMAS

Prieš pradėdant naudoti universalų įrankių, pirmiausia būtina su juo susipažinti. Paimkite įrankį į ranką ir pajuskite jo svorį ir svorio centrą. Pajuskite plonėjančią korpuso formą. Tokios formos įrankį gali suimti taip, kaip rankoje laikomas rašiklis arba pieštukas.

Ypatinga „Softgrip“ danga užtikrina papildomą valdymo komfortą ir geresnę kontrolę darbo metu.

Įrankį laikykite visada nukreipę nuo veido. Priedai gali būti pažeisti ir atskiros jų dalys dėl didelio sukūki skaičiaus gali lėkėti į šalis.

Įrankį laikykite taip, kad ranka neuždegtumėte ventiliacinių angų. Uždegtas ventiliacines angas gali perkaisti variklį.

SVARBU! Iš pradžių įrankį išbandykite ant pagalbinės (nereikalingos) medžiagos, susipažinkite su įrankio veikimu dideliu greičiu. Nepamirškite, kad daugiavandenis įrankis duos geriausių rezultatų, jeigu leisite jo greičiui, o taip pat ir tinkamam „Dremel“ priedui bei antgaliui, darbą padaryti už jus. Jeigu galite, įrankio dirbdami nespauskite. Vietoj to, besisukantį priedą atsargiai priartinkite prie ruošinio paviršiaus ir leiskite jam prisiliesti ten, kur norėtumėte pradėti. Nestipriai prispausdami ranka, kruopščiai veskite įrankį darbinio paviršiumi. Leiskite priedui atlikti savo darbą.

Paprastai geresnis rezultatas gaunamas įrankį vedant kelis kartus nei visą darbą atliekant vienu pravedimu. Lengvais prisilietimais užtikrinama didžiausia kontrolė bei sumažinama klaidos tikimybė.

Tikslius darbus geriausiai atliksite, jei daugiavandenis įrankį laikysite tarp nykščio ir smiliaus kaip pieštuką. 6 PAVEIKSLĖLIS Įrankis pilnai suimamas visa plaštaka tuomet, kai reikia atlikti darbus reikalaujančius daugiau jėgos, pavyzdžiui, šlifuojant ar pjaunant. 7 PAVEIKSLĖLIS

DARBINIS GREITIS

Tai yra universalus ir dideliu greičiu veikiantis įrankis. Sukimosi greičio diapazonas nuo 10 000 iki 33 000 aps./min. Tinkamai parinkę sukūki skaičių pagal naudojamus priedus ir ruošinio medžiagą, pasieksite geriausių rezultatų. Siekdami geriausių rezultatų dirbant su skirtingomis medžiagomis, kiekvienai medžiagai parinkite tinkamą sukimosi greitį. Greičio parinkimui pasinaudokite pagalbinėmis (nereikalingomis) medžiagomis.

3000 serijos daugiavandenis įrankio greitis yra pažymėtas ant greičio valdymo jungiklio. Atskiras padalas atitinkančius sukūki skaičius rasite toliau pateiktamoje diagramoje 4-7 puslapyje. Taip galite nustatyti naudojamus priedus ir medžiagas atitinkantį optimalų sukūki skaičių.

Daugumą užduočių galima atlikti pasirinkus aukščiausią sukūki skaičiaus pakopą. Kai kurios medžiagos (tam tikri plastikai ir metalai) gali būti pažeistos karščio, susidarancio dėl didelio sukūki skaičiaus, ir todėl privalo būti apdirbami tik naudojant žemus sukūki. Nedidelis greitis (15 000 aps./min ir mažiau) geriausiai tinkamas poliravimo darbams, naudojant veltinius poliravimo priedus. Maži sukūki skaičiai yra reikalingi naudojant šepečius, kad iš laikiklio neiškristų vielos ir šeriai. Net ir esant nedideliams sukūkiams privalote nespausiti įrankio. Didesni sukūki tinka kietai medienai, metalui ir stiklui, taip pat gręžti, pjaustyti, drožinėti, frezuoti, formuoti, pjauti griovelius medienoje. Jungiklio padėtis atitinka šiuos sukūki skaičius:

3000 serijos kintamo greičio rotacinio įrankio apytikslio greičio nustatymai.

Jungiklio padėtis	Greičio diapazonas
1-2	10 000-14 000 aps./min
3-4	15 000-19 000 aps./min
5-6	20 000-23 000 aps./min
7-8	24 000-28 000 aps./min
9-10	29 000-33 000 aps./min

Keletas rekomendacijų dėl įrankio greičio:

- Plastiką ir kitas medžiagas, kurios greitai lydosi, pjauti reikia mažesniu greičiu.
- Poliravimas, šlifavimas ir valymas vieliniu šepečiu turi būti atliekamas tik nustačius 1 padėtį, kad nuo pažeidimų apsaugotumėte šepetį ir ruošinį.
- Medieną reikia pjauti dideliu greičiu.
- Geležį arba plieną reikia pjauti dideliu greičiu.
- Greitąjį vairo frezai pradėjus vibruoti, pamėginkite padidinti greitį.
- Aliuminį, vario lydinius, švino lydinius, cinko lydinius ir skardą, priklausomai nuo pjovimo būdo, galima pjauti įvairiais greičiais. Patepkite pjovimo įrankį parafinu arba kita tinkama tepa medžiaga (ne vandeniui), kad drožlės neprikibtu prie pjovimo įrankio ašmenų.

PASTABA: jeigu įrankis veikia netinkamai, jėgos naudojimas problemos neišspręs. Pabandykite naudoti kitą priedą arba pasirinkite kitą greitį norimą rezultatui pasiekti.

PRIEŽIŪRA

Jei techninę priežiūrą ir profilaktiką atliks neįgaloti asmenys, jie gali neteisingai sujungti vidinius laidus ar kitus prietaiso komponentus, todėl gali kilti rimtas pavojus. Techninę priežiūrą ir remonto darbus rekomenduojame atlikti „Dremel“ klientų aptarnavimo skyriuose. Dėl saugumo kiekvieną kartą prieš pradėdami techninės priežiūros ir valymo darbus, ištraukite kištuką iš tinklo.

ANGLINIAI ŠEPETĖLIAI

Jūsų įrankio šepetėliai buvo sukurti ilgam ir patikimam darbui. Norėdami parengti šepetėlius naudojimui, įjunkite įrankį, pasirinkite didžiausią sukūki skaičių ir leiskite jam veikti tuščiaja eiga 5 minutes. Šepetėliai prisitaikys prie įrankio ir užtikrins ilgesnį įrankio eksploatacijos laiką. Norėdami užtikrinti kuo ilgesnį variklio darbą, šepetėlius nuolat tikrinkite kas 40-50 valandų. Jeigu naudosite susidėvėjusius šepetėlius, galite nepataisomai sugadinti variklį. Naudokite tik originalius atsarginius „Dremel“ šepetėlius. Daugiavandenis įrankio šepetėlius tikrinkite juos panaudoję 40-50 valandų. Jeigu daugiavandenis įrankis veikia blogai, netikėtai sustoja arba sklaidžia neįprastus garsus, patikrinkite, ar šepetėliai nesusidėvėjo ir, jei reikia, juos pakeiskite. Daugiavandenis įrankio šepetėlius tikrinkite ir keiskite tokia tvarka:

1. Išjunkite kištuką iš elektros lizdo ir įrankį padėkite ant švaraus paviršiaus. Įrankio raktą naudokite kaip atsuktuvą šepetėlių dangteliams atsukti. 8 PAVEIKSLĖLIS
2. Patraukę už spyruoklės, pritvirtintos prie anglinio šepetėlio, ištraukite šepetėlius iš įrankio. Jeigu šepetėlio ilgis mažesnis

kaip 3 mm, o jo kontaktinis paviršius yra grubus arba nelygus, angļinātus šepetēlius reikia pakeisti. Nepamiršīte patiktināt abieju šepetēliu. 9 PAVEIKSLĒLĒIS

- Jeigu susidēvējēs tik vienas šepetēlis, vis tiek turite pakeisti abu šepetēlius, taip uztiktināsīte geresnes daugiafunkcinio īrankio darbinēs charakteristikas. Nuimkite spyruoklē nuo šepetēlio, išmeskite senā šepetēlī j spyruoklē uždēkite ant naujo šepetēlio.
- Angļinī šepetēlī j spyruoklē jstatykite j īrankī. Šepetēlis j īrankī jstisato tik viena kryptimi.
- Šepetēlio dangtelius uždēkite atgal ant īrankio šepetēlī sukdamī laikrodži rodyklēs kryptimi. Priveržkite raktu, bet NE PER STIPRIA! Pakeitus šepetēlius, īrankī reiktē jungti tuščiaja eiga; padēkite j ant švaraus paviršiaus, pasirinkite didžiausius sukčius ir prieš pradēdami darbā leiskite jam veikti 5 minutes tuščiaja eiga. Šepetēliai prisitaikys prie īrankio ir uztiktinēs ilgesnī kiekvieno šepetēliu komplekto eksploatacijos laikā. Tai taip pat prailgins j īrankio naudojimo laikā.

ĪRANKIO VALYMAS

PRIEŠ VALYDAMI ĪRANKĪ, JĮ IŠJUNKITE IŠ ELEKTROS LIZDO

Vēdinimo angos j jungiklio svirtelēs turi būti švarios ir neapklusios jokiomis medžiagomis. Nebandykite īrankio valyti pro angas kišdami aštirus daiktus.

Īrankj galima išvalyti suspausto oro srove. Valydami īrankj suspausto oro srove, uždēkite apsauginius akinius.

„Dremel“ daugiafunkcinio īrankio nereikia sutepti.

Kai kurios valymo priemonēs ir tirpikliai gali sugadinti plastikines dalis. Prie tokiu priemoniu priskiriamas dyzelinas, anglies tetrachloridas, chloro tirpikliai, amoniakas ir buitiniai skysčiai su amoniaku.

Paminkštintas īrankio dalis valykite sudrēkintu skudurēliu.

Kietesnes nešvarias dalis gali reiktē patrinti, kol jos švariai nusivalys.

APTARNAVIMAS IR GARANTIJA

Šiam „DREMEL“ gaminiui suteikiama garantija atitinka šalyje galiojančius jstatymus. Garantija netaikoma gedimams, atsiradusiems dēl natūralaus susidēvėjimo, taip pat dēl perkrovu arba netinkamo naudojimo.

Reklamacijos atveju siuškite neišardytā īrankj su atitinkamu pirkimā patvirtinančiu dokumentu savo pardavējui.

SUSISIEKITE SU DREMEL

Norēdami sužinoti daugiau informacijos apie „Dremel“, apsilankykite tinklalapyje www.dremel.com

Dremel Europe, P.O. Box 3267, 4800 DG Breda, Nyderlandai

ORIĢINĀLĀS LIETOŠANAS PAMĀCĪBAS TULKOJUMS

IZMANTOTIE SIMBOLI



IZLASIET ŠOS NORĀDĪJUMUS



IZMANTOJIET DZIRDES AIZSARDZĪBAS LĪDZEKLUS



IZMANTOJIET ACU AIZSARDZĪBAS LĪDZEKLUS



IZMANTOJIET AIZSARGMASKU

VISPĀRĒJI NORĀDĪJUMI PAR ELEKTROINSTRUMENTA DROŠU LIETOŠANU



UZMANĪBU

IZLASIET VISUS DROŠĪBAS BRĪDINĀJUMUS UN

NORĀDĪJUMUS.

Šo drošības noteikumu un norādījumu neievērošana var būt par cēloni elektriskā trieciena saņemšanai, izraisīt aizdegšanos un/vai radīt nopietnus savainojumus.

Saglabājiet visus drošības noteikumus un norādījumus turpmākai izmantošanai.

Ar terminu "elektroinstrumenti" jāsaprot ne elektrotīkla darbināmi elektroinstrumenti (ar vadu), kā arī no akumulatora darbināmi (bezvadu) elektroinstrumenti.

DROŠĪBA DARBA VIETĀ

- Sekojiēt, lai darba vieta būtu tīra un labi apgaismota.**
Nekārtīgā darba vietā un sliktā apgaismojumā var viegli notikt nelaiimes gadījums.
- Nelietojiet elektroinstrumentu sprādzienbīstamu vai ugunsdrošu vielu tuvumā un vietās ar paaugstinātu gāzes vai putekļu saturu gaisā.** *Elektroinstrumenti darba laikā nedaudz dzirkstējo, un tas var izsaukt viegli degošu putekļu vai tvaiku aizdegšanos.*
- Lietojot elektroinstrumentu, neļaujiet bērniem un citām nepiederošām personām tuvoties darba vietai.** *Citu personu klātbūtnē var novērst uzmanību, kā rezultātā jūs varat zaudēt kontroli pār elektroinstrumentu.*

ELEKTRODROŠĪBA

- Elektroinstrumenta kontaktdakšai jābūt piemērotai elektrotīkla kontaktlīdžai.** Kontaktdakšas konstrukciju nedrīkst nekādā veidā mainīt. Nelietojiet kontaktdakšas salāgotājus, ja elektroinstrumenti caur elektrisko vadu

- tiek savienots ar aizsargzemējuma ķēdi. Neizmainītas konstrukcijas kontaktdakša, kas piemērota kontaktligzdai, ļauj samazināt elektriskā trieciena saņemšanas risku.
- b. Darba laikā nepieskarieties saņemtiem priekšmetiem, piemēram, caurulēm, radiatoriem, plītiem vai ledusskapjiem. Ķermeņa daļām pieskaroties saņemtām virsmām, pieaug risks saņemt elektrisko triecienu.
 - c. Nelietojiet elektroinstrumentu lietus laikā, neturiet to mitrumā. Mitrumam iekļūstot instrumentā, pieaug risks saņemt elektrisko triecienu.
 - d. Nenoslogojiet elektrisko vadu. Nelietojiet elektrisko vadu elektroinstrumenta pārnesšanai un piekāršanai, neraujiet aiz tā, ja vēlaties atvienot elektroinstrumentu no elektrotiķļa kontaktligzdas. Sargājiet elektrisko vadu no karstuma, eļļas, asām šķautnēm un elektroinstrumenta kustīgajām daļām. Bojāts vai samezģojies elektriskais vads paaugstina elektriskā trieciena risku.
 - e. Lietojot elektrisko instrumentu ārā, izmantojiet pagarinātājkaбели, kas piemērots darbam ārpus telpām, samazinās risks saņemt elektrisko triecienu.
 - f. Ja elektroinstrumentu tomēr nepieciešams lietot vietās ar paaugstinātu mitrumu, izmantojiet tā pievienošanai noplūdes strāvas aizsargreleju (ELCB). Lietojot noplūdes strāvas aizsargreleju, samazinās risks saņemt elektrisko triecienu.

PERSONĪGĀ DROŠĪBA

- a. Strādājot ar elektroinstrumentu, saglabājiet paškontroli un rīkojieties saskaņā ar veselo saprātu. Pārtrauciet darbu, ja jūtaties noguris vai atrodaties alkohola, narkotiku vai medikamentu izraisītā reibumā. Strādājot ar elektroinstrumentu, pat viens neuzmanības mirklis var būt par cēloni nopietnam savainojumam.
- b. Izmantojiet individuālos darba aizsardzības līdzekļus. Darba laikā vienmēr nēsājiet aizsargbrilles. Tādu darba aizsardzības līdzekļu, kā putekļu aizsargmaskas, neslīdošu apavu un aizsargķiveres vai ausu aizsargu pielietošana atbilstoši elektroinstrumenta tipam un veicamā darba raksturam ļauj izvairīties no savainojumiem.
- c. Nepieļaujiet elektroinstrumenta patvaļīgu ieslēgšanos. Pirms elektroinstrumenta pievienošanas elektrotiķlim pārliecinieties, ka tā šīs atrodas stāvoklī "Izslēgts". Pāņemot elektroinstrumentu ar priekstu uz slēdža vai pievienojot ieslēgtu elektroinstrumentu elektrotiķlim, viegli var notikt nelaimes gadījums.
- d. Pirms elektroinstrumenta ieslēgšanas neaizmirstiet izņemt no tā regulējošos instrumentus vai atslēgas. Patronatslēga vai skrūvjuatslēga, kas elektroinstrumenta ieslēgšanas brīdī ir ievietota tā rotējošajās daļās, var radīt savainojumu.
- e. Strādājot ar elektroinstrumentu, nesniedzieties pārāk tālu. Darba laikā vienmēr saglabājiet līdzsvaru un centieties nepaslidēt. Tas atvieglo elektroinstrumenta vadīšanu neparedzētās situācijās.
- f. IZVĒLIETIES darbam piemērotu apģērbu. Darba laikā nenēsājiet brīvi plandošas drēbes un rotaslietas. Sargājiet matus, apģērbu un aizsargcimdus no elektroinstrumenta

kustīgajām daļām. Tajās var iekerties vaļīgas drēbes, rotaslietas un gari mati.

- g. Ja elektroinstrumenta konstrukcija ļauj tam pievienot ārējo putekļu uzsūkšanas vai savākšanas/uzkrāšanas ierīci, sekojiet, lai šāda ierīce tiktu pievienota pareizi darbotos. Pielietojot minētās ierīces, samazinās putekļu kaitīgā ietekme uz lietotāja veselību.

ELEKTROINSTRUMENTA LIETOŠANA UN APKOPE

- a. Nepārslogojiet elektroinstrumentu. Katram darbam izvēlieties piemērotu elektroinstrumentu. Elektroinstrumenti darbojas labāk un drošāk pie nominālās slodzes.
- b. Nelietojiet elektroinstrumentu, ja ir bojāts tā slēdzis. Elektroinstrumenti, ko nevar ieslēgt un izslēgt, ir bīstami lietošanai, un to nepieciešams remontēt.
- c. Pirms elektroinstrumenta apkopes, regulēšanas vai darbinstrumenta nomaīņas atvienojiet tā kontaktdakšu no darbojošā elektrotiķļa vai izņemiet no tā akumulatoru. Šāds drošības pasākums ļauj samazināt elektroinstrumenta nejaušas ieslēgšanās risku.
- d. Elektroinstrumentu, kas netiek darbināts, uzglabājiet vietā, kur tas nav sasniedzams bērniem un personām, kuras neprot rīkoties ar instrumentu vai nav iepazīlušas ar šo lietošanas pamācību. Elektroinstrumenti nekompetentu personu rokās ir bīstami.
- e. Rūpīgi veiciet elektroinstrumenta apkalpošanu. Pārbaudiet, vai kustīgās daļas ir labi salāgotas un nav iespīlētas, vai kāda no daļām nav bojāta un vai nepastāv kādi citi apstākļi, kas varētu ietekmēt elektroinstrumenta normālu darbību. Atklājot bojājumus, pirms elektroinstrumenta lietošanas nodrošiniet tam vajadzīgo remontu. Daudzi nelaimes gadījumi cēlonis ir elektroinstrumenta nepietiekama apkalpošana.
- f. Savlaicīgi notīriet un uzasiniet griezošos darbinstrumentus. Rūpīgi kopti darbinstrumenti ar asām griezējšķautnēm retāk iestrēgst un ļauj vieglāk vadīt elektroinstrumentu.
- g. Lietojiet elektroinstrumentu, papildpiederumus, darbinstrumentus utt. atbilstoši šeit sniegtajiem norādījumiem un attiecīgajam elektroinstrumentam paredzētajā veidā, ņemot vērā apstākļus un veicamā darba raksturu. Elektroinstrumenta lietošana mērķiem, kuriem tas nav paredzēts, ir bīstama un var novest pie neparedzamām sekām.

APKALPOŠANA

- a. Nodrošiniet, lai elektroinstrumenta apkalpošanu veiktu kvalificēts personāls, nomaīnai izmantojot vienīgi oriģinālās rezerves daļas. Tas ļauj saglabāt nepieciešamo darba drošības līmeni, strādājot ar elektroinstrumentu.

DROŠĪBAS NORĀDĪJUMI VISIEM DARBIEM

DROŠĪBAS BRĪDINĀJUMI, KAS IR KOPIĢI SLĪPĒŠANAI, SLĪPĒŠANAI AR SMILŠPĀPĪRU, APSTRĀDEI AR STIEPĻU SUKU, PULĒŠANAI UN GRIEŠANAI AR ABRAZĪVAJEM DISKIEM

- a. Šis elektroinstruments ir lietojams kā slīpmašīna, kas piemērota arī slīpēšanai ar smilšpapīra loksni, darbam ar stieplu suku, pulēšanai un griešanai. Ņemiet vērā visas elektroinstrumentam pievienotās instrukcijas, norādījumus, attēlus un citu informāciju. Turpmāk sniegto norādījumu neievērošana var kļūt par cēloni elektriskajam triecienam, ugunsgrēkam un/vai smagam savainojumam.
- b. Neizmantojiet piederumus, kurus ražotājfirma nav paredzējusi šim elektroinstrumentam un ieteikusi lietošanai kopā ar to. Iespēja nostiprināt piederumu uz elektroinstrumenta vēl negarantē tā drošu lietošanu.
- c. Darbinstrumentu pieļaujama griešanās ātrūmam jābūt ne mazākam par elektroinstrumenta maksimālo griešanās ātrumu. Darbinstrumenti, kuru griešanās ātrums pārsniedz pieļaujamo vērtību, var salūzt, un to daļas var lidot ar lielu ātrumu.
- d. Lietojamā darbinstrumenta ārējām diametram un biežumam jāatbilst elektroinstrumenta kapacitātes nominālajām vērtībām. Ja darbinstrumenta izmēri ir izvēlēti nepareizi, tas pilnībā nenovietojas zem aizsarga un darba laikā apgrūtinā instrumenta vadību.
- e. Slīpēšanas diskam, balstapļakšnei, slīpēšanas pamatnei vai citiem darbinstrumentiem precīzi jānovietojas uz elektroinstrumenta darbvirsmas. Darbinstrumenti, kas precīzi neatbilst elektroinstrumenta darbvirsmas konstrukcijai, nevienmērīgi griežas, ļoti spēcīgi vibrē un var būt par cēloni kontroles zaudēšanai pār instrumentu.
- f. Neizmantojiet bojātus darbinstrumentus. Ik reizi pirms darbinstrumentu lietošanas pārbaudiet, vai tie nav bojāti, piemēram, vai slīpēšanas diski nav atslāpojušies vai iekļāvušies, vai slīpēšanas pamatnē nav vērojamas plaisas un vai stieplu suku veidojošās stieples nav vaļģīgas vai atlūzušas. Ja elektroinstruments vai darbinstruments ir kritis no zināma augstuma, pārbaudiet, vai tas nav bojāts, vai arī izmantojiet darbam nebojātu darbinstrumentu. Pēc darbinstrumenta apskates un iestiprināšanas nostājieties un lieciet nostāties tuvumā esošajam personām ārpus darbinstrumenta rotācijas plaknes un tad vienu minūti darbiniet elektroinstrumentu tukšgaitā ar maksimālo ātrumu. Bojātie darbinstrumenti šādas pārbaudes laikā parasti salūst.
- g. Lietojiet individuālos darba aizsardzības līdzekļus. Atkarībā no veicamā darba rakstura izvēlieties pilnu sejas aizsargu, noslēdzošās aizsargbrilles vai parastās aizsargbrilles. Vajadzības gadījumā nēsājiet putekļu aizsargmasku, ausu aizsargus, aizsargcimdus un aizsargpriekšautu, kas spēj aizturēt sīkas abrazīvā materiāla daļiņas vai lidojošās salūzušas darbinstrumenta daļas. Acu aizsargierīcēm jāspēj aizturēt lidojošās daļiņas, kas rodas daž ādu darba operāciju laikā. Putekļu aizsargmaskai vai respiratoram jāaiztur cietās daļiņas, kas

rodas darba procesā. Ilgstoši iedarbojoties stipram troksnim, var rasties paliekoši dzirdes traucējumi.

- h. **Nodrošiniet, lai klātesošās personas atrastos drošā attālumā no darba vietas.** Ikvienam, kas atrodas darba vietas tuvumā, jālieto individuālie darba aizsardzības līdzekļi. Apstrādājamā priekšmeta atlūzas vai salūzuša darbinstrumenta daļas var lidot ar ievērojamu ātrumu un nodarīt kaitējumu cilvēku veselībai arī zināmā attālumā no darba vietas.
- i. **Veicot darbu, kura laikā griezošais darbinstruments var skart slēptus spriegumnesošus vadus vai elektroinstrumentu vadu, turiet elektroinstrumentu tikai aiz izolētajām noturvirsmām.** Darbinstrumentam skarot spriegumnesošu vadu, spriegums var nonākt arī uz elektroinstrumenta metāla daļām un elektroinstrumenta operators var saņemt elektrisko triecienu.
- j. **Lietojiet spīles vai citus praktiskus palīg līdzekļus, lai nostiprinātu un atbalstītu apstrādājamo priekšmetu uz stabilas platformas.** Turot apstrādājamo priekšmetu ar roku vai atspiestu pret ķermeni, tas netiek nostabilizēts un var izraisīt darba procesa kontroles zudumu.
- k. **Novietojiet elektrisko vadu tā, lai to nevarētu skart rotējošais darbinstruments.** Zūdot kontrolei pār instrumentu, darbinstruments var pārgriezt kabeli vai iekerties tajā, kā rezultātā lietotāja roka var saskarties ar rotējošo darbinstrumentu.
- l. **Neovietojiet elektroinstrumentu, kamēr tajā iestiprinātais darbinstruments nav pilnīgi apstājies.** Rotējošais darbinstruments var skart atbalsta virsmu, kā rezultātā elektroinstruments var kļūt nevadāms.
- m. **Nedarbiniet elektroinstrumentu laikā, kad tas tiek pārņemts.** Lietotāja apģērbs vai mati var nejausi nonākt saskarē ar rotējošo darbinstrumentu un iekerties tajā, izsaukot darbinstrumenta saskaršanos ar lietotāja ķermeni.
- n. **Regulāri tīriet elektroinstrumenta ventilācijas atveres.** Dzinēju ventilējošā gaisa plūsma ievilk putekļus instrumenta korpusā, bet liela metāla putekļu daudzuma uzkrāšanās var būt par cēloni elektrotraumai.
- o. **Nelietojiet elektroinstrumentu ugunsdrošu materiālu tuvumā.** Lidojošās dzirksteles var izsaukt šādu materiālu aizdegšanos.
- p. **Nelietojiet darbinstrumentus, kuriem jāpievada dzesējošais šķidrums.** Ūdens vai citu šķidro dzesēšanas līdzekļu izmantošana var būt par cēloni elektriskajam triecienam.
- q. **Neapstrādājiet materiālus, kas satur azbestu (azbests tiek uzskatīts par kancerogēnu).**
- r. **Ja darba gaitā var izdalīties veselībai kaitīgi, ugunsdroši vai sprādzienbīstami putekļi (dažu materiālu putekļi tiek uzskatīti par kancerogēniem), lietojiet respiratoru un pielietojiet putekļu/skaidu uzsūkšanas ierīci, ja tādu iespējams pievienot.**

ATSITIENS UN AR TO SAISTĪTIE NORĀDĪJUMI

Atsitiens ir specifiska instrumenta reakcija, pēkšņi iekeroties vai iestrēgstot rotējošam darbinstrumentam, piemēram, slīpēšanas diskam, slīpēšanas pamatnei, stieplu sukai u.t.t. Rotējoša darbinstrumenta iekēršanās vai iestrēgšanās izsauk tā pēkšņu apstāšanos. Tā rezultātā elektroinstruments pārvietojas virzienā,

kas pretējs darbinstrumenta kustības virzienam iestrēguma vietā, un nereti kļūst nevadāms. Ja, piemēram, slīpēšanas disks iekeras vai iestrēgst apstrādājamajā priekšmetā, tajā iegremdētā diska mala var izrauties no apstrādājamā materiāla vai izraisīt atsitieni. Šādā gadījumā slīpēšanas disks pārvietojas lietotāja virzienā vai arī prom no viņa, atkarībā no diska rotācijas virziena attiecībā pret apstrādājamo priekšmetu. Turklāt slīpēšanas disks var salūzt. Atsitieni ir sekas elektroinstrumenta nepareizai vai neprasmīgai lietošanai. No tā var izvairīties, ievērojot zināmas piesardzības pasākumus, kas aprakstīti turpmākajā izklāstā.

- a. **Stingri turiet elektroinstrumentu un ieņemiet tūdu ķermeņa un roku stāvokli, kas vislabāk ļautu pretoties atsitiena spēkam. Vienmēr izmantojiet papildrokturi, kas ļauj optimāli kompensēt atsitieni vai reaktīvo griezes momentu un saglabāt kontroli pār instrumentu. Veicot zināmas piesardzības pasākumus, lietotājs jebkurā situācijā spēj efektīvi pretoties atsitienam un reaktīvajam griezes momentam.**
- b. **Netuviniet rokas rotējošam darbinstrumentam. Atsitiena gadījumā darbinstruments var saskarties ar lietotāja roku.**
- c. **Izvaieties atrasties vietā, kurp varētu pārvietoties elektroinstrumenti, notiekot atsitienam. Atsitiena gadījumā elektroinstrumenti pārvietojas virzienā, kas pretējs darbinstrumenta kustības virzienam iestrēguma vietā.**
- d. **Ievērojiet īpašu piesardzību, strādājot stūru un asu malu tuvumā. Nepieļaujiet, lai darbinstruments atlektu no apstrādājamā priekšmeta vai iestrēgtu tajā. Saskaroties ar stūriem vai asām malām rotējošais darbinstruments izliecas un atlec no apstrādājamā priekšmeta vai iestrēgst tajā. Tas var būt par cēloni kontroles zaudēšanai pār instrumentu vai atsitienam.**
- e. **Nelietojiet zāga asmeņus, kas apgādāti ar zobiem un/ vai ir paredzēti koka zāģēšanai. Šādu darbinstrumentu izmantošana var būt par cēloni atsitienam vai kontroles zaudēšanai pār elektroinstrumentu.**

ĪPAŠIE DROŠĪBAS NOTEIKUMI, VEICOT SLĪPĒŠANU UN GRIEŠANU AR ABRAZĪVAJĒM DISKIEM

- a. **Lietojiet vienīgi jūsu rīcībā esošajam elektroinstrumentam piemērotus slīpēšanas darbinstrumentus un šādiem darbinstrumentiem paredzētu aizsargu. Aizsargs var nepietiekami nosegt nepiemērotus slīpēšanas darbinstrumentus, līdz ar to neļaujot panākt vēlamo darba drošību.**
- b. **Diski ir jāizmanto tikai atbilstoši paredzētajam pielietojumam. Piemēram, nekad neizmantojiet slīpēšanas griešanas diska sānu virsmu. Griešanas disks ir paredzēts materiālu apstrādei ar malas griezējšķautni. Spēds spiediens sānu virzienā var sagraut šo darbinstrumentu.**
- c. **Kopā ar izvēlēto slīpēšanas disku izmantojiet vienīgi nebojātu piespiedējuzgriezni ar piemērotu formu un izmēriem. Piemērota līpa piespiedējuzgrieznis darba laikā droši balsta slīpēšanas disku un samazina tā salūšanas iespēju. Kopā ar griešanas diskus izmantojamie piespiedējuzgriežņi var atšķirties no piespiedējuzgriežņiem, kas lietotjami kopā ar citu veidu slīpēšanas diskus.**
- d. **Neizmantojiet nolietotus slīpēšanas diskus, kas paredzēti lielākas jaudas elektroinstrumentiem. Lielākiem**

elektroinstrumentiem paredzētie slīpēšanas diskus nav piemēroti darbam mazākos elektroinstrumentos, kuru griešanās ātrums parasti ir lielāks, un tāpēc tie darba laikā var salūzt.

PAPILDU DROŠĪBAS BRĪDINĀJUMI, VEICOT GRIEŠANU AR ABRAZĪVAJĒM DISKIEM

- a. **Neizdariet pārlieku lielu spiedienu uz griešanas disku un nepieļaujiet tā iestrēgšanu. Neveidojiet pārāk dziļus griezumus. Pārslūgojot griešanas disku, tas biežāk iekeras vai iestrēgst griezumā, un līdz ar to pieaug arī atsitiena vai darbinstrumenta salūšanas iespēja.**
- b. **Izvaieties atrasties rotējošā griešanas diska priekšā vai aiz tā. Ja darba laikā lietotājs pārvieto griešanas disku prom no sevis apstrādājamā priekšmeta virzienā, tad atsitiena gadījumā elektroinstrumenti ar rotējošu griešanas disku tiks sviests tieši lietotāja virzienā.**
- c. **Pārtraucot darbu vai iestrēgstot griešanas diskam, izslēdziet elektroinstrumentu un turiet to nekustīgi, līdz griešanas disks pilnīgi apstājas. Nemēģiniet izvilkt no griezumā vēl rotējošu griešanas disku, jo šāda darbība var būt par cēloni atsitienam. Noskaidrojiet un novērsiet diska iestrēgšanas cēloni.**
- d. **Neieslēdziet elektroinstrumentu no jauna, ja tajā iestiprinātais darbinstruments atrodas griezumā. Pēc ieslēgšanas nogaidiet, līdz darbinstruments sasniedz pilnu griešanās ātrumu, un tikai tad uzmanīgi turpiniet griešanu. Pretējā gadījumā griešanas disks var iekerties griezumā vai izlekt no tā, kā arī var notikt atsitieni.**
- e. **Lai samazinātu atsitiena risku, iestrēgstot griešanas diskam, atbalstiet griezamā materiāla loksnes vai liela izmēra apstrādājamos priekšmetus. Lielī priekšmeti var saliekties paši sava svara iespaidā. Apstrādājama priekšmets jāatbalsta abās pusēs - gan griezuma tuvumā, gan arī priekšmeta malā.**
- f. **Ievērojiet īpašu piesardzību, veidojot padziļinājumus sienās vai citos objektos, kas nav aplūkojami no abām pusēm. Iegremdējot griešanas disku materiālā, tas var skart gāzes vadu, ūdensvadu, elektropārvades līniju vai citu objektu, kas savukārt var izraisīt atsitieni.**

ĪPAŠIE DROŠĪBAS NOTEIKUMI, VEICOT SLĪPĒŠANU AR SLĪPĒŠANAS LOKSNI

- a. **Neizmantojiet pārāk liela izmēra smilšpapīru. Izvēloties slīpēšanas loksni, ievērojiet ražotājfirmas norādījumus. Ja slīpēšanas loksne sniedzas pāri slīpēšanas pamatnes malām, tas var būt par cēloni savainojumam, slīpēšanas loksnes iestrēgšanai vai plīšanai, kā arī izraisīt atsitieni.**

ĪPAŠIE DROŠĪBAS BRĪDINĀJUMI, VEICOT PULĒŠANU

- a. **Nepieļaujiet, lai kāda no pulējošā uzliktna daļām vai stiprinošajām atsaitēm būtu vaļīga. Nostipriniet vai saīsiniet vaļīgo atsaiti. Vaļīga atsaitē rotējot var skart lietotāja pirkstus vai iekerties apstrādājamajā priekšmetā.**

ĪPAŠIE DROŠĪBAS NOTEIKUMI, VEICOT APSTRĀDI AR STIEPĻU SUKU

- levērojiet piesardzību, jo pat parastas darba operācijas laikā no stieplu suku var atdalīties un lidot prom atsevišķas stieples. Nepārslēdžiet suku stieples, stipri spiežot uz to. *Atlūzušās stieples, kas lido ar lielu ātrumu, var viegli izkļūt caur plānu apģērbu un iedurties ādā.*
- Ja apstrādes laikā ir ieteikta aizsarga lietošana, nepieļaujiet tā saskaršanos ar diskveida vai kausveida stieplu suku. *Nemiet vērā, ka diskveida un kausveida stieplu sukām noslodzes un centrālās spēka iespaidā var palielināties diametrs.*

ĪPAŠIE DARBA DROŠĪBAS BRĪDINĀJUMI

- Lietojiet elektroinstrumentu vienīgi sausai slīpēšanai. *Ūdens iekļūšana elektroinstrumentā palielina elektriskā trieciena saņemšanas risku.*
- Netuviniet rokas zāģējuma trasei. Neturiet rokas zem zāģējamā priekšmeta. *Ķermeņa daļu saskaršanās ar zāģa asmeni var būt par cēloni savainojumam.*
- Lietojot piemērotu metālmeklētāju, pārbaudiet, vai apstrādes virsne nešķērso slēptas komunālapgādes līnijas, vai arī griezieties pēc konsultācijas vietējā komunālās saimniecības iestādē. *Darbinstrumenta saskaršanās ar elektropārvades līniju var izraisīt aizdegšanos vai būt par cēloni elektriskajam triecienam. Bojājums gāzes pārvades līnijā var izraisīt sprādzienu. Darbinstrumentam skarot ūdensvada cauruli, var tikt bojātas materiālās vērtības, kā arī strādājošā persona var saņemt elektrisko triecienu.*
- Darba laikā stingri turiet elektroinstrumentu ar abām rokām un centieties ieturēt drošu stāju. *Elektroinstrumentu ir drošāk vadīt ar abām rokām.*
- Nostipriniet apstrādājamo priekšmetu. *Iestiprinot apstrādājamo priekšmetu skrūvspīlēs vai citā stiprinājuma ierīcē, strādāt ir drošāk, nekā tad, ja tas tiek turēts ar rokām.*
- Uzturiet darba vietu tīru. *Īpaši bīstams ir dažādu materiālu putekļu sajaukums. Vieglo metālu putekļi ir ļoti ugunsnedroši un sprādzienbīstami.*
- Darbinstrumenta nomaigās laikā uzvelciet aizsargcimdus. *Ilgstoši lietojot elektroinstrumentu, tajā iestiprinātās darbinstruments stipri sakarst.*
- Nesamitriniet apstrādājamās virsmas ar šķīdriem šķīdinātājiem. *Apstrādes laikā virsma sakarst, kā rezultātā var izdalīties indīgi tvaiki.*
- levērojiet piesardzību, rīkojoties ar elektroinstrumentu, kurā ir iestiprināts skrāpis. *Šāds darbinstruments ir ļoti aas un var izraisīt savainojumus.*

UZMANĪBU NESTRĀDĀJIET AR MATERIĀLIEM, KAS SATUR AZBESTU (AZBESTS TIEK UZSKATĪTS PAR KANCEROGĒNU).

UZMANĪBU JA DARBA GAITĀ VAR IZDALĪTIES VESELĪBAI KAITĪGI, UGUNSNEDROŠI VAI SPRĀDZIENBĪSTAMI PUTEKĻI (DAŽU MATERIĀLU PUTEKĻI TIEK UZSKATĪTI PAR KANCEROGĒNIEM), LIETOJIET RESPIRATORU

UN PIELIETOJIET PUTEKĻU/SKAIDU ATSŪKŠANAS IERĪCI, JA TO IESPĒJAMS PIEVIENOT.

APKĀRTĒJĀ VIDE

ATBRĪVOŠANĀS NO NOLIETOTAJIEM IZSTRĀDĀJUMIEM

Elektroinstrumenti, tā piederumi un iesaiņojuma materiāli ir jāsašķiro, sagatavojot tos atsevišķai pārstrādei apkārtējai videi nekaitīgā veidā.

TIKAI ES VALSTĪM



Neizmetiet noliektos elektroinstrumentus sadzīves atkritumu tvētnē!
Saskaņā ar Eiropas Savienības direktīvu 2002/96/ES par noliektajām elektriskajām un elektroniskajām ierīcēm un šīs direktīvas atspoguļojumiem nacionālajā likumdošanā, lietošanai nederīgie elektroinstrumenti jāsavāc, jāizjauc un jānodod atsevišķai pārstrādei apkārtējai videi nekaitīgā veidā.

TEHNISKIE PARAMETRI

VISPĀRĒJIE PARAMETRI

Nominālais spriegums	230 V, 50 Hz
Nominālā jauda	130 W
Nominālais ātrums	33 000 apgr./min
Turētājaptveres kapacitāte	0,8 mm, 1,6 mm, 2,4 mm, 3,2 mm
<input type="checkbox"/> II klases konstrukcija	Celtniecībā izmantojami instrumenti ar dubultu izolāciju

PAGARINĀTĀJKABEĻI

Lietojiet pilnīgi atļūtos droši izmantojamus pagarinātājkabeļus, kas paredzēti vismaz 5 A strāvai.

DZINĒJA PARAMETRI

Šajā multiinstrumentā tiek pielietots ātrgaitas elektrodzinējs ar maināmu griešanās ātrumu. Tas ir paredzēts darbam ar spriegumu 230 V, 50 Hz. Vienmēr pārbaudiet, vai padotais spriegums atbilst uz elektroinstrumenta plāksnītes norādītajam spriegumam.

SALIKŠANA

PIRMS APKALPOŠANAS UN DARBINSTRUMENTA VAI TURĒTĀJAPTVERES NOMAIGAS VIENMĒR ATVIENOJIET MULTIINSTRUMENTU NO ELEKTROTĪKLA.

VISPĀRĒJS RAKSTUROJUMS

Šim Dremel multiinstrumentam piemīt augsta precizitāte, kas ļauj to izmantot sarežģītu un precīzu darbu veikšanai. Firmas Dremel plašais darbinstrumentu un piederumu klāsts ļauj lietot multiinstrumentu visdažādākajiem uzdevumiem. To skaitā ir tādi sarežģīti darbi, kā slīpēšana, izgriešana, gravēšana, frēzēšana, griešana, tīrīšana un pulēšana.

1. ATTĒLS

- A. Turētājaptveres uzgrieznis
- B. Turētājaptvere
- C. EZ Twist™ integrētā atslēga/gala vāciņš
- D. Taustiņš darbvārpstas fiksēšanai
- E. Slēdzis ieslēgšanai un izslēgšanai
- F. Cilpa piekāršanai
- G. Strāvas vads
- H. Ventilācijas atveres
- I. Sukas pārsegs (pa vienu katrā pusē)
- J. Ventilācijas atveres

TURĒTĀJAPTVERES

Multiinstrumentam paredzētajiem firmas Dremel piederumiem ir dažāda izmēra kāti. Lai multiinstrumentu pielāgotu visiem šiem darbinstrumentiem, tas tiek piegādāts kopā ar četriem izmēru turētājaptverēm. Turētājaptveres izmēru nosaka gredzenu skaits uz tās aizmugures daļas.

2. ATTĒLS

- K. 3,2 mm turētājaptvere bez gredzena (480)
- L. 2,4 mm turētājaptvere ar trim gredzeniem (481)
- M. 1,6 mm turētājaptvere ar diviem gredzeniem (482)
- N. 0,8 mm turētājaptvere ar vienu gredzenu (483)

PIEZĪME: Daži multiinstrumenti var netikt piegādāti ar visiem četriem turētājaptveru izmēriem. Turētājaptveres var iegādāties arī atsevišķi.

Vienmēr izmantojiet turētājaptveri, kuras izmērs atbilst lietojamā darbinstrumenta kāta izmēram. Nemēģiniet ar spēku ievietot lielāka izmēra darbinstrumenta kātu mazāka izmēra turētājaptverē.

TURĒTĀJAPTVERU NOMAŅA

3. ATTĒLS

- O. Darbvārpstas fiksēšanas taustiņš
- P. Turētājaptveres uzgrieznis
- Q. Atskrūvēšana
- R. Pieskrūvēšana
- S. Turētājaptveres

1. Nospiediet darbvārpstas fiksēšanas taustiņu un, turot to nospiestu, ar roku grieziet darbvārpstu, līdz tā fiksējas. *Nenospieties fiksēšanas taustiņu, kamēr darbvārpsta griežas.*
2. Turot nospiestu darbvārpstas fiksēšanas taustiņu, noskrūvējiet turētājaptveres uzgriezni. Ja nepieciešams, lietojiet šim nolūkam turētājaptveres atslēgu.
3. Izvelciet turētājaptveri no darbvārpstas stiprinājumā.
4. Ievietojiet darbvārpstas stiprinājumā vajadzīgā izmēra

turētājaptveri un ar pirkstiem pieskrūvējiet turētājaptveres uzgriezni. Nemēģiniet līdz galam pieskrūvēt uzgriezni, ja turētājaptverē neatrodas darbinstrumenta kāts.

DARBINSTRUMENTU NOMAŅA

3./5. ATTĒLI

1. Nospiediet darbvārpstas fiksēšanas taustiņu un, turot to nospiestu, grieziet darbvārpstu, līdz tā fiksējas. *Nenospieties fiksēšanas taustiņu, kamēr darbvārpsta griežas.*
2. Turot nospiestu darbvārpstas fiksēšanas taustiņu, atskrūvējiet (bet nenoskrūvējiet) turētājaptveres uzgriezni. Ja nepieciešams, lietojiet šim nolūkam turētājaptveres atslēgu.
3. Līdz galam ievietojiet turētājaptverē darbinstrumenta vai piederuma kātu.
4. Turot nospiestu darbvārpstas fiksēšanas taustiņu, ar pirkstiem pieskrūvējiet turētājaptveres uzgriezni, līdz darbinstrumenta vai piederuma kāts tiek stingri iespiests turētājaptverē. *PIEZĪME: Lai iegūtu sīkāku informāciju par firmas Dremel darbinstrumenta lietošanu, noteikti izlasiet kopā ar to piegādāto lietošanas pamācību.*

Lietojiet tikai firmā Dremel ražotus labi pārbaudītus augstas kvalitātes darbinstrumentus.

EZ TWIST™ INTEGRĒTĀ ATSLĒGA/GALA VĀCIŅŠ

4./5. ATTĒLI

- T. EZ Twist™ integrētā atslēga/gala vāciņš

Šī elektroinstrumenta gala vāciņā ir integrēta atslēga, tādējādi ļaujot jums atlaist vaļīgāk un pievilkt ciešāk turētājaptveres uzgriezni, neizmantojot turētājaptveres standartā atslēgu.

1. Atskrūvējiet gala vāciņu no elektroinstrumenta un savietojiet tērauda ieliktni vāciņa iekšpusē ar turētājaptveres uzgriezni.
2. Ar saslēgtu darbvārpstas fiksatoru pagrieziet gala vāciņu pretēji pulksteņrādītāju virzienam, lai atlaistu vaļīgāk turētājaptveres uzgriezni. Nenospieties fiksēšanas taustiņu, kamēr darbvārpsta griežas.
3. Līdz galam ievietojiet turētājaptverē darbinstrumenta vai piederuma kātu.
4. Ar saslēgtu darbvārpstas fiksatoru pagrieziet gala vāciņu pretēji pulksteņrādītāju virzienam, lai atlaistu vaļīgāk turētājaptveres uzgriezni.
5. Uzskrūvējiet gala vāciņu atpakaļ tā sākotnējā vietā. *PIEZĪME: Lai iegūtu sīkāku informāciju par firmas Dremel darbinstrumenta lietošanu, noteikti izlasiet kopā ar to piegādāto lietošanas pamācību.*

Lietojiet tikai firmā Dremel ražotus labi pārbaudītus augstas kvalitātes darbinstrumentus.

DARBA UZSĀKŠANA

LIETOŠANA

Pirmais solis multiinstrumenta lietošanā ir tā iepazīšana. Paturiet multiinstrumentu rokā un izjūtiēt tā svaru un līdzsvaroju.

Pierodiet pie tā izstieptās konusveida formas. Tā ļauj turēt multiinstrumentu līdzīgi tam, kā tiek turēts zīmulis vai pildspalva. Unikāls mīkstsai pārklājums multiinstrumenta priekšējā daļā ļauj to ērti turēt un droši vadīt.

Netuviniet elektroinstrumentu sejai. Darba laikā darbinstrumenti var tikt bojāti un to daļas var lidot prom ar lielu ātrumu.

Turot elektroinstrumentu, nenosedziet ar roku tā ventilācijas atveres. Nosedzot ventilācijas atveres var būt par cēloni dzinēja pārkaršanai.

SVARĪGI! Lai pierastu pie multiinstrumenta lielā griešanās ātruma, veiciet apstrādes mēģinājumus ar nevajadzīgu materiāla atgriezumumu. Atcerieties, ka multiinstruments vislabāk darbojas pie pietiekoši liela ātruma, kopā ar to izmantojot pareizi izvēlētos virsmu Dremel darbinstrumentus un piederumus. Lietojot multiinstrumentu, ja vien iespējams, strādājiet ar nelielu spiedienu uz darbinstrumenta. Lēni tuviniet rotējošo darbinstrumentu apstrādājamā priekšmeta virsmai un ļaujiet tam saskarties ar virsmu punktā, no kura vēlaties sākt apstrādi. Uzmanīgi vadiet instrumentu pa apstrādājamo virsmu, minimāli piespiežot ar roku. Ļaujiet piederumam paveikt darāmo.

Parasti vislabāk ir veikt vairākus atsevišķu gājienu ar instrumentu, nevis visu darbu vienā gājienā. Ar darbinstrumentu viegli skariet apstrādājamo virsmu, jo tad elektroinstrumentu ir vieglāk vadīt un samazinās iespēja kļūstīties.

Multiinstrumentu ir vieglāk vadīt, turot to kā zīmuli starp īkšķi un rādītājpirkstu. 6. ATTĒLS

Multiinstrumentu ieteicams turēt kā golfa nūju, ja veicams smagāks darbs, piemēram, slīpēšana vai griešana. 7. ATTĒLS

GRIEŠANĀS ĀTRUMS

Šis multiinstruments ir elektroinstruments, kas darbojas ar lielu ātrumu. Tā griešanās ātrumu var mainīt robežās no 10000 līdz 33000 apgriezieniem minūtē. Pareiza griešanās ātruma izvēle ļauj sasniegt labākus darba rezultātus. Lai panāktu optimālus darba rezultātus, apstrādājot dažādus materiālus, izvēlieties darbinstrumenta griešanās ātrumu, kas atbilst veicamā darba raksturam. Lai izvēlētos piederumam atbilstošo ātrumu, vispirms veiciet izmēģinājumus ar materiāla atgriezumiem.

Sērijas 3000 multiinstrumenta slēdža iestatījumi ir parādīti uz ātruma regulēšanas slēdža. Lai noteiktu apstrādājamajam materiālam un lietojamajam darbinstrumentam atbilstošu griešanās ātruma uzstādījumu, izmantojiet lappusēs 4-7 sniegto tabulu.

Vairumu darbu iespējams veikt, darbinot elektroinstrumentu ar maksimālo griešanās ātrumu. Taču dažus materiālus (dažu veidu plastmasas un metālus) var bojāt siltums, kas pie liela griešanās ātruma izdalās apstrādes vietā, tāpēc tie jāapstrādā ar relatīvi nelielu griešanās ātrumu. Neliels griešanās ātrums (15000 apgr./min. vai mazāks) parasti ir vislabākais pulēšanas darbiem ar filca pulēšanas piederumiem. Visu veidu apstrāde ar suku ir veicama ar nelielu griešanās ātrumu, kas ļauj novērst stieņu atdalīšanos no turētāja. Darbinot elektroinstrumentu ar nelielu griešanās ātrumu, ļaujiet tam darīt darbu pašam. Lielāku griešanās ātrumu ieteicams izmantot, apstrādājot cietas koka šķirnes, metālu un stiklu un veicot urbsanu, gravēšanu, griešanu, frēzēšanu, šķērsfrēzēšanu un gropju iefrēzēšanu kokā. Uzstādījumi, kas atbilst noteiktām griešanās ātruma vērtībām, ir šādi.

Aptuvenā apgriezienu skaita minūtē iestatījumi elektroinstrumentu ar maināmu rotācijas ātrumu modelim 3000.

Slēdža iestatījums	Ātruma diapazons
1-2	10000-14000 apgr./min
3-4	15000-19000 apgr./min
5-6	20000-23000 apgr./min
7-8	24000-28000 apgr./min
9-10	29000-33000 apgr./min

Daži norādījumi attiecībā uz elektroinstrumenta griešanās ātrumu.

- Plastmasa un citi materiāli ar zemu kušanas temperatūru jāgriez ar nelielu griešanās ātrumu.
- Materiālu pulēšana un tīrīšana ar stieņu suku jāveic ar slēdži pozīcijā 1, lai novērstu suku un apstrādājamā materiāla bojājumu izraisīšanu.
- Koka griešana jāveic ar lielu griešanās ātrumu.
- Dzelzs un tērauda griešana jāveic ar lielu griešanās ātrumu.
- Ja ātrgriezējā tērauda griešanas disks sāk vibrēt, tas parasti norāda, ka diska griešanās ātrums ir pārāk mazs.
- Alumīniju, vara, svina un cinka sakausējumu un alvu var griezt ar dažādu ātrumu, kas jāizvēlas atkarībā no veicamā darba rakstura. Lai novērstu griežamā materiāla pielipšanu griešanas darbinstrumentam, pārklājiet darbinstrumentu ar parafīnu vai citiem eļļojošajiem šķīdumiem (taču ne ar ūdeni).

PIEZĪME: Ja apstrāde nenotiek ar pietiekošu ātrumu, elektroinstrumenta veiktspēja neuzlabosies, palielinot spiedienu uz to. Lai panāktu vēlamo rezultātu, mēģiniet lietot cita tipa darbinstrumentu vai izmainiet elektroinstrumenta griešanās ātrumu.

APKALPOŠANA

Elektroinstrumenta preventīvās apkalpošanas laikā, ko veicis nepilnvarots personāls, var tikt izmainīts iekšējo savienotāju un citu sastāvdaļu novietojums, kas var radīt nopietnas briesmas lietotājam. Mēs iesakām visus elektroinstrumenta apkalpošanas darbus veikt firmas Dremel pilnvarotā tehniskās apkalpošanas iestādē. Lai izvairītos no elektriskā trieciena un savainojumiem elektroinstrumenta patvaļīgas ieslēgšanās dēļ, pirms tīrīšanas vai apkalpošanas atvienojiet tā elektriskā vada kontaktakšus no elektrotīkla kontaktligzdās.

OGLEKĻA SUKAS

Elektroinstrumentā izmantojamās oglekļa suku ir ļoti izturīgas un paredzētas ilgstošai lietošanai. Lai suku sagatavotu lietošanai, ievietojiet tās elektroinstrumentā uz 5 minūtes darbiniet to tukšgaitā ar pilnu ātrumu. Tas nodrošina sukām pareizu pieskāri un paildina elektroinstrumenta kalpošanas laiku. Lai saglabātos augsts dzinēja lietderības koeficients, ik pēc 40-50 darba stundām pārbaudiet suku nodilumu.

Lietojot elektroinstrumentu ar nodilušām sukām, tā dzinējs var tikt neatgriezeniski sabojāts. Nomaīņai lietojiet vienīgi firmas Dremel oriģinālās suku. Pārbaudiet multiinstrumenta suku ik pēc 40-50 darba stundām. Ja multiinstruments darbojas ar pārtraukumiem, ar samazinātu jaudu vai neierasti trokšņo, pārbaudiet suku nodilumu un vajadzības gadījumā veiciet to nomaīņai. Lai pārbaudītu un/vai nomaīņotu multiinstrumenta suku, veiciet šādas darbības.

1. Atvienojiet elektroinstrumentu no elektrotīkla un novietojiet

- to uz tīras virsmas. Lai izskrūvētu suku vāciņus, lietojiet turētājaptveres atslēgu kā skrūvgriezi. 8. ATTĒLS
2. Izņemiet suku no elektroinstrumenta, izvelkot ar oglekļa suku savienoto atsperi. Ja oglekļa suku garums ir mazāks par 3 mm, un tās virsma, kas saskaras ar kolektoru, ir raupja, suku nepieciešams nomainīt. Noteikti pārbaudiet abas elektroinstrumenta suku. 9. ATTĒLS
 3. Lai panāktu efektīvu multiinstrumenta darbību, abas tā suku jānomaina arī tad, ja nolietojies ir tikai viena no tām. Izņemiet atsperi no suku, atbrīvojoties no noliecotās suku un ievietojiet atsperi jaunajā sukā.
 4. Ievietojiet elektroinstrumentā jaunās oglekļa suku; ir tikai viens veids, kā ievietot suku turētājos.
 5. Ieskrūvējiet elektroinstrumentā suku vāciņus, griežot tos pulksteņa rādītāju kustības virzienā. Suku vāciņu pieskrūvēšanai lietojiet turētājaptveres atslēgu, taču NEPIEVELCIET VĀCIŅUS PĀRĀK STINGRI! Pēc suku nomaiņas un pirms elektroinstrumenta lietošanas (darbināšanas ar pilnu slodzi) novietojiet elektroinstrumentu uz tīras virsmas un 5 minūtes darbiniet tukšgaitā ar pilnu ātrumu. Tas nodrošina sukām pareizu piestrādi un ļauj palielināt suku komplekta kalpošanas laiku. Šādi palielinās arī elektroinstrumenta kalpošanas laiks, jo mazāk noliejot komutatora virsma.

sortimentu, lietotāju atbalstu un konsultāciju tālruna numuru, atveriet datorlīkla vietni www.dremel.com

Dremel Europe, P.O. Box 3267, 4800 DG Breda, Nīderlande

ELEKTROINSTRUMENTA TĪRĪŠANA

PIRMS TĪRĪŠANAS ATVIEŅOJĒT ELEKTROINSTRUMENTU NO ELEKTROTĪKLA

Ventilācijas atverēm un svirslēdzēm vienmēr jābūt tīriem un bez svešķermeņiem. Nemēģiniet tīrīt elektroinstrumentu, ievadot tā ventilācijas atverēs tievus priekšmetus.

Elektroinstrumenta tīrīšanai jāizmanto saspīests gaiss. Veicot elektroinstrumenta tīrīšanu ar saspīestu gaisu, vienmēr uzlieciet aizsargbrilles.

Firmas Dremel multiinstrumentam nav nepieciešama eļļošana.

Daži tīrīšanas līdzekļi un šķīdinātāji bojā elektroinstrumenta plastmasas daļas. Pie šādām vielām pieder: benzīns, oglekļa tetrahlorīds, hlora saturoši tīrīšanas šķīdumi, kā arī amonjaks un amonjaku saturoši sadzīves mazgāšanas līdzekļi.

Notīriet ar satveršanas vietas ar mīksto pārkļājumu, izmantojot mitru drāniņu. Atsevišķām korpusa daļām var būt nepieciešama pamatīgāka tīrīšana.

TEHNISKĀ APKOPE UN GARANTĪJA

Šim firmas DREMEL izstrādājumam ir noteikta garantija atbilstoši spēkā esošajai starptautiskajai un nacionālajai likumdošanai. Garantija neattiecas uz bojājumiem, kuru cēlonis ir elektroinstrumenta normāla noliešana, pārslodze vai nepareiza apiešanās ar to.

Ja rodas pretenzijas, nosūtiet elektroinstrumentu neizjauktā veidā savam Dremel produkcijas izplatītājam kopā ar pirkumu apliecināšanu dokumentu.

SAZINĀŠANĀS AR DREMEL

Lai saņemtu sīkāku informāciju par firmas Dremel izstrādājumu

٥. استخدم سلك استعطالة مناسباً للاستخدام الخارجي عند تشغيل أداة كهربية في الأماكن الخارجية. يقلل استخدام سلك مناسب للاستخدام الخارجي من خطر الصدمة الكهربائية.
٦. إذا كان من الضروري تشغيل الأداة الكهربائية في مكان رطب، فاستخدم مصدرًا محميًا للطاقة وقاطع دائرة التسرب الأرضي. يقلل استخدام قاطع دائرة التسرب من خطر الصدمة الكهربائية.

السلامة الشخصية

- أ. كن منبهًا، وانتبه إلى ما تفعله، وتحل بحسن التمييز عند تشغيل أداة كهربية. ولا تستخدم أية أداة كهربية عندما تكون مرهقًا أو تحت تأثير المخدرات أو الكحول أو العلاج الطبي. قد يؤدي تشتيت الانتباه للحظة واحدة أثناء تشغيل الأدوات الكهربائية إلى إصابة شخصية خطيرة.
- ب. استخدم معدات الوقاية الشخصية، وارتد دائمًا أجهزة وقاية البصر. ستقلل معدات الوقاية مثل قناع لفترة الأتربة، أو أحذية الأمان المضادة للترحلق، أو الخوذة أو معدات وقاية السمع التي يتم استخدامها في ظروف مناسبة من الإصابات الشخصية.
- ج. منع بدء التشغيل غير المقصود. تأكد من وجود المفتاح في وضع إيقاف التشغيل قبل توصيل الأداة بمصدر الطاقة أو حزمة البطارية أو رفعها أو حملها. يشجع حمل الأدوات الكهربائية مع وجود إصبعك على المفتاح أو توصيل الطاقة للأدوات الكهربائية التي يكون المفتاح بها في وضع التشغيل على وقوع حوادث.
- د. قم بإزالة أي مفتاح ضبط أو مفتاح ربط قبل تشغيل الأداة الكهربائية. قد يتسبب ترك مفتاح الربط أو أي مفتاح متصلًا بجزء دوار في الأداة الكهربائية في وقوع إصابة شخصية.
- هـ. لا تتخذ أوضاعًا يحتل فيها توازنك، وحافظ على الثبات والاتزان الملائم دائمًا. يؤدي ذلك إلى التحكم بشكل أفضل في الأداة الكهربائية في المواقع المفاجئة.
- و. ارتد الملابس المناسبة. ولا ترتد ملابس فضفاضة أو مجوهرات. وأبعد شرك وملايسك ولفافاتك بعيدًا عن الأجزاء المتحركة. فقد تعلق الملابس الفضفاضة أو المجوهرات أو الشعر الطويل بالأجزاء المتحركة. إذا كانت الأجهزة مزودة لتوصيل وحدات تجميع الأتربة واستخلاصها، فتأكد من توصيل هذه الأجهزة واستخدامها بالشكل المناسب. قد يؤدي استخدام هذه الأجهزة إلى تقليل المخاطر المتعلقة بالأتربة.

استخدام الأداة الكهربائية والعناية بها

- أ. لا تفرط في استخدام القوة مع الأداة الكهربائية. استخدم الأداة الكهربائية المناسبة للتطبيق الخاص بك. ستقوم الأداة الكهربائية المناسبة بأداء المهمة بشكل أفضل وأكثر أمانًا وبالسعة التي صممت من أجلها.
- ب. لا تستخدم الأداة الكهربائية في حالة تعثر تشغيلها أو إيقاف تشغيلها باستخدام المفتاح. تعتبر أي أداة كهربية تعثر التحكم فيها باستخدام المفتاح أداة خطيرة ويجب إصلاحها.
- ج. أفضل القابس من مصدر الطاقة أو حزمة البطارية من الأداة الكهربائية قبل القيام بأي تعديلات أو تغيير الملحقات أو تخزين الأدوات الكهربائية. تؤدي إجراءات الأمان الوقائية هذه إلى تقليل خطر بدء تشغيل الأداة الكهربائية دون قصد.
- د. قم بتخزين الأدوات الكهربائية المعطلة بعيدًا عن متناول الأطفال ولا تسمح للأشخاص الذين ليسوا على دراية بالأداة الكهربائية أو بهذه التعليمات أن يقوموا بتشغيل الأداة الكهربائية. تصبح الأدوات الكهربائية خطيرة عندما يتعامل معها مستخدمون غير مدربين.
- هـ. قم بصيانة الأدوات الكهربائية. وافحص الأداة الكهربائية للتأكد من ضبط الأجزاء المتحركة أو عدم إعاقة حركتها، وعن كسر الأجزاء، وأي حالة أخرى قد تؤثر في تشغيل الأداة الكهربائية. في حال تلف الأداة الكهربائية، فيجب إصلاحها قبل الاستخدام. تقع العديد من الحوادث بسبب الأدوات الكهربائية التي تعاني من ضعف الصيانة.
- و. حافظ على حدة أدوات القطع ونظافتها. تتخفف احتمالات تعطل أدوات القطع التي تتم صيانتها بشكل جيد والمجهزة بحواف قطع حادة كما تكون أسهل في التحكم.

اقرأ هذه التعليمات



استخدم واقي الأذن



استخدم واقي العين



استخدم قناع لفترة الأتربة



تحذيرات عامة لسلامة الأدوات الكهربائية



تحذير

اقرأ جميع تحذيرات الأمان وجميع التعليمات.

قد يؤدي عدم اتباع التعليمات والتحذيرات إلى صدمة كهربية، و/أو حريق، و/أو إصابة بالغة.

احفظ جميع التحذيرات والتعليمات للرجوع إليها في المستقبل.

يشير مصطلح "الأداة الكهربائية" الوارد في التحذيرات إلى أداتك الكهربائية التي يتم تشغيلها من مصدر تيار رئيسي (عبر الأسلاك) أو أداتك الكهربائية التي يتم تشغيلها باستخدام البطارية (دون أسلاك).

سلامة منطقة العمل

- أ. حافظ على نظافة منطقة العمل وسلامة إضاءتها. تشجع المناطق التي تسودها القوضى والظلام على وقوع الحوادث.
- ب. لا تقم بتشغيل الأدوات الكهربائية في أوساط قابلة للانفجار مثل التشغيل في وجود سوائل أو غازات أو أتربة قابلة للاشتعال. ينبعث من الأدوات الكهربائية شرر قد يعمل على إشعال الغاز أو الأبخنة.
- ج. أبعد الأطفال والمفرجين أثناء تشغيل أداة كهربية. قد يتسبب تشتيت الانتباه في فقدانك للتحكم.

الأمان الكهربائي

- أ. يجب أن يتطابق قابس الأداة الكهربائية مع المنفذ. ولا تدخل أي تعديلات على القابس بأي شكل من الأشكال. لا تستخدم أي قابس مهيأنة مع الأدوات الكهربائية المتصلة بالأرض (المتأرضية). ستقلل القوابس غير المعدلة والمنافذ المتطابقة من خطر الصدمة الكهربائية.
- ب. تجنب ملامسة الجسم للأسطح المتصلة بالأرض أو المتأرضية مثل التاليب والشعاعيات وأفران الطهي والثلاجات. هناك خطر متزايد لحدوث صدمة كهربية في حالة ملامسة جسمك للأدوات المتأرضية أو المتصلة بالأرض.
- ج. لا تعرض الأدوات الكهربائية لظروف الطقس الممطرة أو الرطبة. سينزاد خطر الصدمة الكهربائية في حالة دخول الماء إلى الأداة الكهربائية.
- د. لا تستخدم السلك بشكل خاطئ. ولا تستخدم السلك لحمل الأداة الكهربائية أو سحبها أو نزعها من القابس. احتفظ بالسلك بعيدًا عن الحرارة أو الزيت أو الحواف الحادة أو الأجزاء المتحركة. تزيد الأسلاك التالفة أو المتشابهة من خطر الصدمة الكهربائية.

ز. استخدم الأداة الكهربية والملحقات وأجزاء الأداة وما إلى ذلك بما يتفق مع هذه التعليمات مع الأخذ في الاعتبار ظروف العمل والعمل المراد إنجازه. قد يؤدي استخدام الأداة الكهربية في عمليات تشغيل تختلف عن تلك المصممة لها إلى التعرض لمواقف خطيرة.

الصيانة

أ. يجب إصلاح الأداة الكهربية لدى شخص مؤهل مختص بالإصلاح يستخدم قطع الغيار المتطابقة فقط. سيضمن ذلك المحافظة على سلامة الأداة الكهربية.

تعليمات أمان لجميع عمليات التشغيل

تحذيرات أمان شائعة في عمليات التجليخ، أو الصنفرة بالرمل، أو التنظيف بالفرشاة السلكية، أو الصقل، أو عمليات القطع بالسحب

- أ. تم تصميم هذه الأداة الكهربية لتقوم بوظيفة الجلاحة، أو أداة الصنفرة، أو الفرشاة السلكية، أو أداة الصقل أو أداة القطع. اقرأ جميع تحذيرات الأمان والتعليمات والرسوم التوضيحية والموصفات المرفقة مع هذه الأداة الكهربية. قد يؤدي عدم اتباع جميع التعليمات الواردة أثناء إلى صدمة كهربائية، وإلحاق حروق، وإلحاق إصابة بالغة.
- ب. لا تستخدم الملحقات التي لم تصممها الشركة المصنعة للأدوات أو توص بها بشكل خاص. لا تكفي إمكانية توصيل الملحق بإداتك الكهربية وحدها لضمان أمان التشغيل.
- ج. يجب أن تكون سرعة الأداة الملحقة المقررة مساوية على الأقل للسرعة القصوى المميزة بعلامة على الأداة الكهربية. قد تتكسر الملحقات التي يتم تشغيلها بسرعة أكبر من السرعة المعيارية لها وتتناثر إلى أشلاء.
- د. يجب أن يقع القطر الخارجي للأداة الملحقة وسُمكها في حدود معيارية قدرة أداتك الكهربية. تتعذر حماية الملحقات التي لها أحجام غير مناسبة أو التحكم فيها بالشكل المناسب.

هـ. يجب أن يتناسب حجم تشكيل العجلات أو الحواف الناتجة أو وسائد الدعم أو أي قطعة ملحقة أخرى بشكل لائق مع محور دوران الأداة الكهربية. يضطرب اتران تشغيل الملحقات التي بها فتحات تشكل لا تتطابق مع مكونات التثبيت في الأداة الكهربية، وتهتز بشكل زائد وقد تتسبب في فقدان التحكم.

و. لا تستخدم قبل ملحقة تالفة. افحص الأداة الملحقة مثل العجلات الكاشطة قبل الاستخدام للكشف عن التشققات والشروخ، ووسادة الدعم للكشف عن الشروخ أو التمزق أو البلى الزائد، أو الفرشاة السلكية للكشف عن الاسلاك المفككة أو المتكسرة. افحص الأداة الكهربية أو الأداة الملحقة في حالة سقوطها للكشف عن التلف أو قم بتكريب أداة ملحقة خالية من التلف. بعد فحص أداة ملحقة وبركبيها، ابتعد وأبعد المتفرجين عن محيط الأداة الملحقة الدوارة وقم بتشغيل الأداة الكهربية بسرعة للأحلام القصوى لمدة دقيقة واحدة، من الطبيعي أن تنتفك الأدوات الملحقة التالفة إلى أجزاء في أول مرة يتم فحصها.

ز. ارتد معدات الوقاية الشخصية. استخدم واقى الوجه أو منظار الأمان أو نظارات الأمان وذلك حسب الاستخدام. ارتد قناع فلتر الأتربة وواقيات السمع والقفازات ومريلة ورشة العمل التي تحجز المواد الكاشطة الصغيرة أو شظايا قطع العمل بما يتواءم مع طبيعة العمل. يجب وقاية العينين من الجسيمات الغريبة المتطايرة التي تنتج عن الاستعمالات المختلفة. يجب أن تقوم الأقفنة الواقية للتنفس والواقية من الغبار بتريسيح الأجزاء الناتجة عن الاستخدام. قد تصاب بفقدان السمع إن تعرضت لضجيج عال لفترة طويلة.

ح. تنبه إلى ابتعاد الآخرين عن مجال عملك بمسافة آمنة. يجب أن يرتدي كل من يدخل إلى منطقة العمل معدات الوقاية الشخصية. قد تتطاير شظايا قطع العمل أو شظايا أداة ملحقة مكسورة بعيداً وتتسبب في الإصابات حتى خارج مجال العمل المباشر.

ط. لا تمسك الأداة الكهربية إلا باستخدام مقابض معزولة عند القيام بعملية تشغيل قد تتلامس فيها أداة القطع مع أسلاك مختلفة أو مع السلك الخاص بها. قد يؤدي تلامس أداة القطع لسلك "به تيار كهربى نشط" إلى "سريان التيار الكهربى النشط" في الأجزاء المعدنية المكشوفة في الأداة الكهربية وقد يعرض المشغل لصدمة كهربية.

ي. استخدم أجهزة التثبيت أو طريقة عملية أخرى في تثبيت ودعم قطعة العمل على منصة ثابتة. يؤدي الإسماك بعدة العمل في يدك أو في مقابل جسدك إلى عدم ثباتها وقد يؤدي إلى فقدان التحكم.

ك. ضاع السلك بعيداً عن الأداة الملحقة الدوارة. إن فقدت السيطرة على الجهاز فقد يقطع أو يتكبد كابل الشبكة الكهربائية وقد تسحب يدك أو ذراعك إلى عدة الشغل الدوارة.

ل. لا تترك الأداة الكهربية من يدك حتى تكون الأداة الملحقة قد توقفت تماماً. قد تعلق الأداة الملحقة الدوارة في السطح وتفتك التحكم في الأداة الكهربية.

م. لا تترك العدة الكهربية قيد الحركة أثناء حملها. قد تتكبد ثيابك عند ملاصقة عدة الشغل بشكل غير مقصود وقد تنفجر عدة الشغل في جسدك.

ن. نظف فتحات تهوية الأداة الكهربية بشكل منتظم. ستقوم مروحة الموتور بسحب التراب إلى داخل الهيكل وقد يتسبب التراكم المتزايد للمساحيق المعدنية في المخاطر الكهربية.

س. لا تستخدم العدة الكهربية على مقربة من المواد سريعة الاشتعال. قد يؤدي الشرر إلى اشتعال هذه المواد.

ع. لا تستخدم الأدوات الملحقة التي تحتاج إلى سواحل تبريد. قد يؤدي استعمال الماء أو غيره من مواد التبريد السائلة إلى حدوث الصدمات الكهربائية.

ف. لا تعمل باستخدام مواد تحتوي على الأستبيستوس (الحريير الصخري) (يعتبر الأستبيستوس مادة مسرطنة).

ص. اتخذ الإجراءات الوقائية أثناء العمل عند تواجد الأتربة فقد يضر بصحة الفرد، أو قد يكون قابلاً للاشتعال أو الانفجار (تعتبر بعض الأتربة مسرطنة)، ارتد قناعاً واقياً من الأتربة واعمل على استخلاص الأتربة/الشرائح عند القابلية للرطب.

حركات الآلة المفاجئة والتحذيرات المتعلقة بها

حركة الأداة المفاجئة هي رد فعل مفاجئ بسبب ضغط أو عرقلة العجلة الدوارة أو وسادة الدعم أو الفرشاة أو أي أداة ملحقة أخرى. ويتسبب الضغط أو العرقلة في التوقف المفاجئ السريع للأداة الملحقة الدوارة والذي يتسبب بدوره في إرغام تحول الأداة الكهربية غير المتحكم فيها في الاتجاه العكس لدوران الأداة الملحقة عند نقطة العرقلة. فعلى سبيل المثال، في حالة عرقلة عجلة كاشطة أو الضغط عليها بواسطة قطعة العمل، فإن حافة العجلة التي تتعرض لنقطة الضغط قد تؤدي إلى الحفر في سطح المادة مما يتسبب في القفز المرتفع للعجلة أو إزاحتها بعيداً. وإما أن تنفجر العجلة ناحية المشغل أو بعيداً عنه، ويتوقف ذلك على اتجاه حركة العجلة في النقطة التي وقع عندها الضغط. كما أن العجلات الكاشطة قد تتكسر في ظل تلك الظروف. وتحدث حركة الأداة المفاجئة نتيجة لسوء استخدام الأداة الكهربية وإلأ ظروف أو إجراءات تشغيل غير مناسبة، ويمكن تجنبها عن طريق اتخاذ الاحتياطات المناسبة كما هي محددة أثناء.

أ. اقبض على العدة الكهربية بإحكام وركز جسدك وذراعك بوضع يسمح لك بصد قوى الصدمات الارتدادية. استخدم المقبض الإضافي دائماً إن وجد للتوصل إلى أكبر تحكم ممكن بقوى الصدمات الارتدادية أو عزوم رد الفعل أثناء ارتفاع عدد الدوران. يمكن للمستخدم أن يسيطر على قوى الصدمات الارتدادية وعزوم رد الفعل من خلال إجراءات الاحتياط المناسبة.

ب. لا تضع يدك مطلقاً بالقرب من الأداة الملحقة الدوارة. فقد تتحرك الأداة الملحقة حركة مفاجئة على يدك.

ج. لا تضع جسمك في منطقة ستتحرك فيها الأداة الكهربية في حالة حدوث حركة مفاجئة. ستدفع الحركة المفاجئة الأداة في الاتجاه العكس لحركة العجلة عند نقطة العرقلة.

تحذيرات أمان خاصة بعمليات الصقل

- أ. لا تترك أي جزء سائب من قننوسة الصقل أو خيوط الربط الخاصة بها تدور دون عائق، قم بثنى أي خيوط ربط مفككة أو تشديدها. قد تؤدي خيوط الربط المفككة والدوارة إلى ربط أصابعك أو عرقلة قطع العمل.

تحذيرات أمان خاصة بعمليات استخدام الفرشاة السلكية

- أ. تبيه إلى أن الشعر السلكي قد يتطاير أثناء استخدام الفرشاة حتى أثناء التشغيل العادي. لا تضغط بشكل زائد على الأسلاك من خلال وضع حمولة زائدة على الفرشاة. قد يبتخر الشعر السلكي الملابس الخفيفة والألبسة بسهولة.
- ب. لا تسمح بأي تداول للعلجة أو الفرشاة السلكية مع هذا الوافي في حالة التوصية باستخدام وافي من أجل التنظيف بالفرشاة السلكية. قد يزداد قطر العلجة أو الفرشاة السلكية بسبب حمولة العمل وقوى الطرد المركزي.

تحذيرات أمان خاصة بالماكنية

- أ. استخدم الماكنية في الصنفرة الجافة فقط. يزيد دخول الماء في الماكنية من خطر حدوث صدمة كهربائية.
- ب. أبعد يديك عن نطاق النشر. لا تنزل أسفل قطعة العمل. قد يؤدي لمس حافة المنشار إلى حدوث إصابات.
- ج. استخدم كشافات مناسبة لمعرفة ما إذا كانت خطوط الأداة مخفية في منطقة العمل أو اتصل بالشركة المحلية للأداة للحصول على المساعدة. قد يتسبب لمس الخطوط الكهربائية في نشوب حريق أو حدوث صدمة كهربائية. وقد يؤدي تلف خط الغاز إلى حدوث انفجار. يتسبب اختراق خطوط الماء في حدوث تلفيات للممتلكات أو قد يتسبب في حدوث صدمة كهربائية.
- د. عند العمل باستخدام الماكنية، امسكها دائماً بإحكام بكلتا يديك وكن في وضعية ثابتة. يمكن توجيه أداة القدرة بشكل أكثر أماناً باستخدام كلتا اليدين.
- هـ. قم بأمين قطعة العمل. تكون قطعة العمل المثبتة بأجهزة تثبيت أو ملزمة أكثر أماناً عن المثبتة بالأيدي.
- و. حافظ على نظافة مكان العمل. يمثل امتزاج المواد خطراً بالغاً. فقد تشتعل أتربة السيليكات الخفيفة أو تحترق.
- ز. ارتد قفازات واقية عند تغيير ملحقات/أدوات الجهاز. تصحيح الملحقات/أدوات الجهاز ساخنة بعد الاستخدام لفترة طويلة.
- ح. لا تستخدم سائل تحتوي على مذيبات مع السطح المراد العمل فيه. قد تتسبب المواد التي تسخن بالكثف في انبعاث الأبخرة السامة.
- ط. توخ الحذر الشديد عند التعامل مع الأداة الكاشطة. الملح حاد جداً ومن ثم فهناك خطر حدوث إصابة.

تحذير لا تعمل في أسطح تحتوي على الأسبستوس (يعتبر الأسبستوس مادة مسرطنة).

تحذير اتخذ الإجراءات الوقائية أثناء العمل عند تواجد الأتربة فقد يضر بصحة الفرد، أو قد يكون قابلاً للاشتعال أو الانفجار (تعتبر بعض الأتربة مسرطنة)؛ ارتد قناعاً واقياً من الأتربة وأعمل على استخلاص الأتربة الشرائح عند القابلية للربط.

البيئة

التخلص من الأداة

ينبغي فرز الماكينات والملحقات والتغليف لإعادة تدويرها بشكل لا يضر بالبيئة.

- د. تبيه جيداً أثناء العمل في مجال الزوايا والحواف الحادة وما إلى ذلك. تميل الأركان أو الحواف الحادة أو قفز الأداة إلى عرقلة الأداة الدوارة وتتسبب في فقدان التحكم أو حركة مفاجئة للأداة.
- هـ. لا تقم بتربيك شفرة حفر الخشب بسلسلة المنشار أو شفرة المنشار الممنن. تتسبب هذه الشفرات في تكرار الحركة المفاجئة للأداة وفقدان التحكم فيها.

تحذيرات أمان خاصة بعمليات التجليخ وعمليات القطع بالسحج

- أ. استخدم أنواع العجلات المخصصة للعد الكهربية هذه فقط وغطاء الوقاية المخصص للعلجة المحددة. لا تتم حماية العجلات التي لم تصمم الأداة الكهربائية لها بالشكل المناسب وتكون غير آمنة.
- ب. يجب عدم استخدام العجلات إلا في التطبيقات الموصى بها. مقللاً: لا تقم بالتجليخ بواسطة السطح الجانبي لقرص القطع مطلقاً. إن أقراص القطع مخصصة لإزاحة المادة بواسطة حافة القرص؛ قد يؤدي تأثير القوى على هذه الأقراص من الجانب إلى كسرها.
- ج. استخدم دائماً حواف العلجة غير التالفة ذات الحجم والشكل المناسبين لعلجتك المحددة. تعمل حواف العلجة المناسبة على دعم العلجة ومن ثم تقليل احتمالية تعرض العلجة للكسر. قد تكون حواف عجلات القطع مختلفة عن حواف عجلات التجليخ.
- د. لا تستخدم عجلات بلاط كهربية أكبر. لا تتناسب العلجة المصممة لأداة كهربية أكبر مع السرعة الأعلى لأداة أصغر وقد تتعرض للانفجار.

تحذيرات أمان إضافية خاصة بعمليات القطع بالسحج

- أ. تجنب استئصال قرص القطع أو فرض ضغط الارتكاز. لا تقم بقطع المقاطع شديدة العمق. تؤدي زيادة الضغط على العلجة إلى زيادة الحمولات وقابلية التواء العلجة أو عرقلتها في القطع واحتمالية تحرك العلجة بشكل مفاجئ أو انكسارها.
- ب. لا تضع جسمك في محاذة العجلة الدوارة أو خلفها. عندما تتحرك العجلة بعيداً عن جسمك أثناء التشغيل، فإن الحركة المفاجئة المحتملة قد تدفع عجلة التدوير والأداة الكهربية تحرك مباشرة.
- ج. عند عرقلة العلجة أو عند إعاقة القطع لأي سبب من الأسباب، أوقف تشغيل الأداة الكهربية وحافظ على ثبات الأداة الكهربية دون حركة حتى تتوقف العلجة تماماً. ولا تحاول إخراج عجلة القطع من القطع أثناء وجودها في الحركة وإلا فقد تصدر منها حركة مفاجئة. تحقق واتخذ الإجراءات التصحيحية للفناء على سبب عرقلة العلجة.
- د. لا تعد تشغيل القطع في قطعة العمل. وأمهل العلجة حتى تصل إلى سرعتها القصوى وأعد إدخالها في القطع بحرص. قد تتم عرقلة العلجة أو ترتفع إلى أعلى أو تصدر منها حركة مفاجئة في حالة إعادة تشغيل الأداة الكهربية داخل قطعة العمل.
- هـ. ادعم الألواح أو أي قطعة عمل كبيرة الحجم للحد من خطورة عرقلة العلجة أو صدور حركة مفاجئة منها إلى أدنى حد. تميل قطع العمل الكبيرة إلى عدم الثبات بسبب وزنها. ويجب أن يتم وضع الدعامات تحت قطعة العمل بالقرب من خط القطع وبالقرب من حافة قطعة العمل على كلا جانبي العلجة.
- و. احترس بشكل خاص عند إجراء "الفتوح الجيبية" في الجدران القديمة أو غيرها من المجالات المحجوبة الرؤية. قد تقطع العلجة الناتئة أنابيب الغاز أو المياه أو الأسلاك الكهربائية أو الأشياء التي قد تسبب حركة مفاجئة.

تحذيرات أمان خاصة بعمليات الصنفرة بالرمل

- أ. لا تستخدم ورق صنفرة بحجم كبير زائد عن الحد. واتبع توصيات الشركة المصنعة عند تحديد ورق الصنفرة. ينتج عن استخدام ورق الصنفرة الأكبر حجماً والذي يمتد إلى ما بعد وسادة الصنفرة خطر التمزق وقد يتسبب في عرقلة القرص أو تمزقه أو صدور حركة مفاجئة.

خاص بالودل الأوروبية فقط



لا تتخلص من الأدوات الكهربائية في النفايات المنزلية! يجب تجميع الأدوات الكهربائية التي لم تعد قابلة للاستخدام بشكل منفصل والتخلص منها بطريقة مناسبة بيئيًا وذلك بموجب التوجيه الأوروبي 2002/96/EC الخاص بنفايات المعدات الكهربائية والإلكترونية وتنفيذه في الحقوق الوطنية.

المواصفات

مواصفات عامة

معايير الجهد الكهربائي

الطاقة المعيارية

السرعة المعيارية

سعة القابض

التزكيب من الفئة الثانية

من ٢٣٠ فولت، ٥٠ هرتز

١٣٠ وات

من ٣٣٠٠٠ دورة في الدقيقة

٠,٨ مم، ١,٦ مم، ٢,٤ مم، ٣,٢ مم

أدوات تركيب معزولة مزودجة

أسلاك الاستطالة

استخدم أسلاك الاستطالة الآمنة والممدودة بالكامل بسعة تيار تصل إلى ٥ أمبير.

مواصفات الموتور

تستخدم الأداة متعددة الاستخدامات موتورًا ذا سرعة متغيرة. وقد تم تزويده بأسلاك ليعمل على جهد كهربائي ٢٣٠-٢٤٠ فولت، ٥٠/٦٠ هرتز. تحقق دائمًا من أن إمدادات التيار الكهربائي مماثلة لما هو موضح على لوحة تسمية الأداة.

التجميع

احرص دومًا على فصل الأداة متعددة الاستخدامات قبل تغيير الملحقات أو تغيير أدوات القبض على الأشياء أو صيانة الأداة.

مواصفات عامة

تتميز أداة Dremel متعددة الاستخدامات بأنها أداة ضبط عالية الجودة يمكن استخدامها للقيام بمهام تصبيلية ومعقدة. وينتج النطاق الواسع للكماليات والملحقات الخاصة بشركة Dremel أن تقوم بإجراء مجموعة متنوعة وكبيرة من المهام. وتشتمل تلك المجموعة على مهام مثل الصنفرة باستخدام الرمل، والنحت، والتوجيه، والقطع، والتنظيف، والصلق.

الصورة ١

أ. صامولة القابض

ب. القابض

ج. غطاء الفوهة/مفتاح الربط المدمج EZ Twist™

د. زر قفل عمود الدوران

هـ. مفتاح التشغيل/الإيقاف

و. أداة التعليق

ز. سلك الطاقة

ح. فتحات التهوية

ط. غطاء الفرشاة (واحد على كل جانب)

ي. فتحات التهوية

الأدوات القابضة

تتوافر ملحقات Dremel للأداة متعددة الاستخدامات التي تأتي بأحجام مختلفة لساق الأداة. وتتوافر أدوات قابضة بأربعة أحجام لتلائم أحجام الساق المختلفة. ويتم تحديد أحجام القابض عن طريق الحلقات الموجودة على الجانب الخلفي للقابض.

الصورة ٢

ك. قابض بدون حلقة ٣,٢ مم (٤٨٠)

ل. قابض بثلاث حلقات ٢,٤ مم (٤٨١)

م. قابض بحلقتين ١,٦ مم (٤٨٢)

ن. قابض بحلقة واحدة ٠,٨ مم (٤٨٣)

ملاحظة: قد لا تشمل بعض أطقم الأداة متعددة الاستخدامات على أحجام القابض الأربعة كلها، وتتوافر أدوات القبض على الأشياء كل على حدة.

استخدم دائمًا القابض الذي يتطابق مع حجم ساق الأداة الملحقة التي تخطط لاستخدامها. ولا تدخل بالقوة ساقًا قطرها أكبر في قابض أصغر حجمًا.

تغيير أدوات القبض على الأشياء

الصورة ٣

س. زر قفل عمود الدوران

ع. صامولة القابض

ف. للإرخاء

ص. لإحكام الربط

ق. مفتاح ربط القابض

٦. اضغط على زر قفل عمود الدوران واستمر في الضغط عليه وقم بإدارة عمود الدوران يدويًا حتى يتم تشويق قفل عمود الدوران. لا تقم بتشويق زر قفل عمود الدوران أثناء وجود الأداة متعددة الاستخدامات قيد التشغيل.

٧. قم بإرخاء صامولة القابض وإخراجها عند تشويق زر قفل عمود الدوران. استخدم مفتاح ربط القابض إذا لزم الأمر.

٨. اخلع القابض عن طريق سحبه وتحريره من عمود الدوران.

٩. قم بتزكيب القابض ذي الحجم المناسب بالكامل في عمود الدوران وأعد تركيب الصامولة وربطها بأصابعك. لا تحكم ربط الصامولة تمامًا عند عدم تركيب لقمة أو أداة ملحقة.

تغيير الملحقات

صورة ٥/٣

١. اضغط على زر قفل عمود الدوران وقم بإدارته يدويًا حتى يتم تشويق قفل عمود الدوران. لا تقم بتشويق زر قفل عمود الدوران أثناء وجود الأداة متعددة الاستخدامات قيد التشغيل.

٢. قم بإرخاء صامولة القابض (ولا تقم بإخراجها) عند تشويق زر قفل عمود الدوران. استخدم مفتاح ربط القابض إذا لزم الأمر.

٣. أدخل اللقمة أو ساق الأداة الملحقة في القابض.

٤. عند تشويق زر قفل عمود الدوران، أحكم بإصبعك ربط صامولة القابض حتى يمسك القابض باللقمة أو بالأداة الملحقة.

ملاحظة: تأكد من قراءة التعليمات المزودة مع أداة Dremel الملحقة من أجل الحصول على مزيد من المعلومات حول استخدامها.

لا تستخدم سوى ملحقات Dremel عالية الأداء والتي تم اختبارها.

يوجد مفتاح ربط مدمج في غطاء فوهة الأداة يسمح بإرخاء صامولة القابض وإحكام ربطها بدون استخدام مفتاح ربط القابض القياسي.

١. قم بفك غطاء الفوهة من الأداة وصف المدخل الفولاذي داخل الغطاء مع صامولة القابض.
 ٢. قم بتدوير غطاء الفوهة في عكس اتجاه عقارب الساعة لإرخاء صامولة القابض أثناء تشييق زر قفل عمود الدوران. لا تقم بتشيعيق زر قفل عمود الدوران أثناء وجود الأداة متعددة الاستخدامات قيد التشغيل.
 ٣. امسك اللقمة أو ساق الأداة المملحة في القابض.
 ٤. قم بتدوير غطاء الفوهة في اتجاه عقارب الساعة لإحكام صامولة القابض أثناء تشييق زر قفل عمود الدوران.
 ٥. أحمك ربط غطاء الفوهة مرة أخرى في موضعه الأصلي.
- ملاحظة: تأكد من قراءة التعليمات المزودة مع أداة Dremel المملحة من أجل الحصول على مزيد من المعلومات حول استخدامها.

لا تستخدم سوى ملحقات Dremel عالية الأداء والتي تم اختبارها.

بدء التشغيل

الاستخدام

تتمثل أول خطوة في استخدام الأداة متعددة الاستخدامات في التعرف على "لمسها". احملها في يدك واشعر بوزنها واتزانها. وتلمس الطرف المستدق للمبيت. حيث يتيح هذا الطرف المستدق الإمساك بالأداة مثل القلم الرصاص أو الظم الحبر. يسمح المقبض الناعم الفريد في المقدمة بالمزيد من الراحة والتحكم أثناء الاستخدام.

أمسك الأداة دائماً بحيث تكون بعيدة عن وجهك. يمكن أن تتعرض الأدوات المملحة للتلف أثناء الإمساك بها وقد تطير بعيداً عند وصولها إلى السرعة. لا تغط فتحات التهوية ببديك عند الإمساك بالأداة، فقد يتسبب سد فتحات التهوية في ارتفاع درجة حرارة الموتور.

هام! قم بتجربة ذلك على مادة كشط أولاً لمعرفة كيفية أداء الأداة عند استخدام السرعة العالية. وتذكر بأن الأداة متعددة الاستخدامات الخاصة بك ستقدم أفضل أداء عن طريق إتاحة السرعة بالإضافة إلى كماليات وملحقات Dremel المناسبة للقيام بأعمالك. ولا تضغط على الأداة أثناء استخدامها إذا كان ذلك ممكناً. وبدلاً من ذلك، اخفض الأداة المملحة الدوارة نوعاً ما إلى سطح العمل وتركها تلامس النقطة التي تريد أن تبدأ منها. وركز على توجيه الأداة من بداية العمل إلى نهايته عن طريق الضغط بمعدل خفيف جداً ببديك. واترك الأداة المملحة تقوم بإنجاز العمل.

من الأفضل عادة أن تقوم بسلسلة من الجولات باستخدام الأداة بدلاً من القيام بالمهمة كلها في جولة واحدة. توفر اللمس المعتدلة أفضل تحكم وتقلل من احتمالية الخطأ.

للحصول على أفضل تحكم في العمل، أمسك الأداة متعددة الاستخدامات مثل القلم الرصاص بين أصبعي الإبهام والسبابة. الصورة ٦

يتم اتباع طريقة إمساك "مضرب الخوف" في عمليات التشغيل الأصعب مثل التخليق أو القطع. الصورة ٧

سرعات التشغيل

هذه الأداة عبارة عن أداة متعددة الاستخدامات ذات سرعة عالية. وتتفاوت سرعاتها من ١٠٠٠٠ إلى ٣٣٠٠٠ دورة في الدقيقة. وسيحقق ضبط عدد الدورات في الدقيقة بما يلائم المشروع الذي تعمل على إنجازه نتائج نهائية أفضل. ولتحقيق أفضل النتائج عند العمل بمواد مختلفة، اضبط مفتاح التحكم في السرعة المتغيرة ليناسب المهمة. ولتحديد السرعة المناسبة للأداة المملحة المستخدمة، قم بإجراء بعض التمارين باستخدام مواد الغايات أولاً.

وقد تم تمييز إعدادات مفتاح الأداة متعددة الاستخدامات لطبارة النيكل كاديوم ذات جهد ٧.٢ فولت بعلامة على مفتاح التحكم في السرعة. راجع جدول إعدادات السرعة في الصفحات ٤-٧ للمساعدة في تحديد السرعة المناسبة للمادة التي يتم العمل فيها والأداة المملحة التي سيتم استخدامها.

يمكن إنجاز معظم المهام باستخدام الأداة وهي في أعلى ضبط. وعلى الرغم من ذلك، قد تتلف بعض المواد (بعض المواد البلاستيكية والمعادن) بسبب الحرارة المتولدة نتيجة السرعة العالية وينبغي العمل فيها بسرعات منخفضة نسبياً. يعتبر التشغيل منخفض السرعة (١٥٠٠٠ دورة في الدقيقة أو أقل) هو الأفضل عادةً لعمليات الصقل التي تعمل باستخدام الأدوات المملحة للصقل الأمس. وستلزم جميع تطبيقات التنظيف باستخدام الفرشاة سرعت تشغيل أقل لتجنب تساقط الأسلاك من الحامل. اترك أداء الأداة ينجز العمل لك عند استخدام إعدادات السرعة المنخفضة. وتعتبر السرعات الأعلى هي الأفضل في حالة الأخشاب الصلبة والمعادن والزجاج، ومن أجل الحفر، والنحت، والقطع، والتوجيه، والتشكيل وقطع الفروع والوصلات في الخشب. وفيما يلي الإعدادات الخاصة بعدد الدورات في الدقيقة تقريباً:

ضبط المفتاح	معدل السرعة	إعدادات عمليات الدوران التقريبية في الدقيقة مفتاح التحكم في السرعة المتغيرة للأداة الدوارة في الطراز ٣٠٠٠.
٢-١	١٠٠٠٠-١٤٠٠٠ دورة في الدقيقة	ضبط المفتاح
٤-٣	١٥٠٠٠-١٩٠٠٠ دورة في الدقيقة	معدل السرعة
٦-٥	٢٠٠٠٠-٢٣٠٠٠ دورة في الدقيقة	٢-١
٨-٧	٢٤٠٠٠-٢٨٠٠٠ دورة في الدقيقة	٤-٣
١٠-٩	٢٩٠٠٠-٣٣٠٠٠ دورة في الدقيقة	٦-٥
		٨-٧
		١٠-٩

بعض الإرشادات المتعلقة بسرعة الأداة:

- ينبغي ألا يتم قطع البلاستيك وغيره من المواد التي تنزوب عند درجات الحرارة المنخفضة.
- يجب أن تتم عمليات التلميع والصقل والتنظيف بفرشاة سلكية عند إعداد المفتاح ١ فقط لمنع إتلاف الفرشاة والمادة.
- ينبغي قطع الخشب بسرعة عالية.
- ينبغي قطع الحديد والفولاذ بسرعة عالية.
- في حالة بدء أداة قطع الفولاذ ذات السرعة العالية بالاهتزاز، فيشير ذلك عادة إلى تشغيلها بسرعة بطيئة للغاية.
- يمكن قطع سبائك الألومنيوم، والسبائك النحاسية، وسبائك الرصاص، وسبائك الزنك والقصدير عند سرعات متباينة وذلك حسب نوع القطع الذي تقوم به. استخدم البرافين (وليس الماء) أو أي مادة تزيق أخرى مناسبة على القاطع لمنع التصاق مادة القطع بسن القاطع.

ملاحظة: زيادة الضغط على الأداة ليست هي الحل عند عدم التشغيل بالشكل المناسب. قم بتجريب أداة مملحة مختلفة أو إعداد سرعة مختلف للوصول إلى النتيجة المطلوبة.

الصيانة

قد يؤدي إجراء الصيانة الروتينية بمعرفة أفراد غير معتمدين إلى وضع الأسلاك والمكونات الداخلية في غير موضعها الصحيح مما قد يتسبب في وجود خطر بالغ. نوصي بأن يتم إجراء جميع عمليات صيانة الأداة بمعرفة وحدة صيانة Dremel. لتجنب الإصابة عند بدء التشغيل غير المتوقع أو حدوث صدمة كهربائية، قم دائماً بإزالة القابض من المآخذ الموجود في الحائط قبل إجراء الصيانة أو التنظيف.

فرش الكربون

لقد تم عمل التصميم الهندسي للفرش الموجودة في الأداة لكي تعمل لمدة ساعات بخدمة جيدة بالقلّة. ولتجهيز الفرش للاستخدام، قم بتشغيل الأداة بالسرعة الكاملة لمدة ٥ دقائق بدون تحميل. سيعمل هذا على "استقرار" الفرش ويطيل من عمر الأداة. وللحفاظ على أقصى كفاءة للموتور، افحص الفرش للكثف عن الانتهاء كل ٤٠-٥٠ ساعة.

يؤدي استخدام الأداة مع فرش بالية إلى التلف الدائم للموتور. استخدم الفرش البديلة الأصلية من Dremel فقط. افحص الفرش متعددة الاستخدامات بعد ٤٠-٥٠ ساعة من الاستخدام. إذا كانت الأداة متعددة الاستخدامات تعمل بشكل غريب أو تفقد الطاقة أو تصدر ضوضاء غير عادية، فافحص الفرش للكشف عن الاهتراء وإجراء عملية الاستبدال المحتملة. اتبع هذه الخطوات لفحص/تغيير الفرش متعددة الاستخدامات:

١. ضع الأداة على سطح نظيف مع فصل سلك الطاقة. واستخدم مفتاح ربط الأداة كمفك لإخراج أغطية الفرشاة. الصورة ٨
٢. أخرج الفرش من الأداة من خلال سحب الزنبرك الملحق بفرشاة الكربون. وإذا كان طول الفرشاة أقل من ٣ مم وسطح الفرشاة الملامس للمبتدل خشن أو مخدوش، فينبغي استبدال فرش الكربون. وتأكد من فحص كلتا الفرشتين. الصورة ٩
٣. في حالة وجود فرشاة واحدة بالية، فيجب استبدال كلتا الفرشتين للحصول على أفضل أداء للأداة متعددة الاستخدامات. أخرج الزنبرك من الفرشاة وتخلص من الفرشاة القديمة وضع الزنبرك على الفرشاة الجديدة.
٤. ضع فرشاة الكربون وخلفية الزنبرك داخل الأداة، فهناك طريقة واحدة فقط لتناسب بها الفرشاة داخل الأداة.
٥. أعد وضع أغطية الفرشاة على الأداة من خلال إدارة الغطاء في اتجاه عقارب الساعة. ولإحكام الربط، استخدم مفتاح الربط، ولكن لا تبالغ في الربط! بعد استبدال الفرش، ينبغي تشغيل الأداة بدون تحميل؛ ضعها على سطح نظيف وقم بتشغيلها بحرية بالسرعة الكاملة لمدة ٥ دقائق قبل تحميل (أو استخدام) الأداة. سيسمح هذا للفرش بأن "تستقر" بشكل سليم ويمنحك ساعات أكثر من عمر كل مجموعة من الفرش. كما سيطيّل هذا أيضًا من عمر الأداة طالما أن سطح المبتدل سيبلّى بشكل أفضل وأطول.

تنظيف الأداة

افصل القابس قبل التنظيف

يجب الحفاظ على نظافة فتحات التهوية وأذرع المفتاح وخلوها من المواد الغريبة. ولا تحاول تنظيف الأداة عن طريق إدخال أشياء مستدقة الطرف عبر الفتحات.

فيمكن تنظيف الأداة باستخدام الهواء المضغوط. ارتد دائمًا نظاير الأمان عند تنظيف الأداة باستخدام الهواء المضغوط.

لا حاجة إلى تزييق أداة Dremel متعددة الاستخدامات.

هناك مواد تنظيف ومذيبات معينة تُتلف الأجزاء البلاستيكية. بعض هذه المواد: الجازولين، رباعي كلوريد الكربون، مذيبات التنظيف المكلورة، الأمونيا، المنظفات المنزلية التي تحتوي على الأمونيا.

قم بتنظيف مناطق "الإمساك الناعمة" بالأداة باستخدام قطعة قماش مبللة. قد تتطلب المناطق الصلبة الأكثر خشونة تطبييق أكثر من مسحة واحدة لتنظيفها.

الخدمة والضمان

يتم ضمان منتج DREMEL هذا بما يتفق مع اللوائح الإيجابية/المخصصة للدولة؛ ويستثنى من هذا الضمان التلف الناجم عن الاهتراء والتآكل العادي أو زيادة الحمل أو التعامل الخاطى.

في حالة وجود شكوى، أرسل الأداة دون تفكيك مع حجة الشراء إلى الوكيل.

معلومات الاتصال بشركة DREMEL

انتقل إلى www.dremel.com للحصول على مزيد من المعلومات حول مجموعة منتجات Dremel المتنوعة، والدعم، والخط الساخن الخاص بشركة Dremel.

Dremel Europe, P.O. Box 3267, 4800 DG Breda، هولندا

**Dremel Europe
The Netherlands**